

# SM-12



Professional  
Loudspeaker

## Key Features:

- 12"/65mm LF Transducer
- 1.4" Voice Coil, 1" Exit Titanium Compression Driver
- 80°×80° Coverage Pattern
- Smooth Response With High Power Handling Capacity ( Continuous Program/RMS), 500W/250W
- 12 Integral Suspension Points
- Complete Mounting Solutions



## General Description and Applications:

The W Audio SM Series are stage monitor loudspeakers and are designed to meet precise requirements in professional applications. Exhibiting a flat output and phase responses, full-range bandwidth, and exceptional impulse response, the SM Series far exceeds the capabilities of conventional stage monitors while offering the simplicity of setup and operation provided by these speakers.

The SM Series wide frequency range enables accurate reproduction of both vocals and instruments with a high gain before feedback, and provides excellent intelligibility at high output levels with low distortion and no coloration added to the signal. The cabinet is also engineered to have exceptional low-frequency headroom, which can be helpful in some applications such as the extreme low frequency demands of high-level drum monitoring.

The loudspeaker's high-frequency section comprises of a diaphragm compression driver coupled to a constant directivity horn.

## Technical Specification:

Freq.Range(-10dB):	60Hz~20kHz
Axial Sensitivity(1m/1w):	97dB
Max Calculated SPL(1m):	124dB
Rec.Hi pass Frequency:	30Hz
Long Term Load Power:	250W
Short Term Load Power:	500W
Dispersion(HXV):	80°x 80°
LF Transducer:	12"/65mm
HF Transducer:	1"/34mm
Crossover Frequency:	3000Hz
Nominal Impedance:	8 Ohms
Connector:	2×NL4 Speakon
Dim (W×H×D):	430mm×502mm×345mm
Net Weight:	17Kg
Shipping Weight:	19Kg

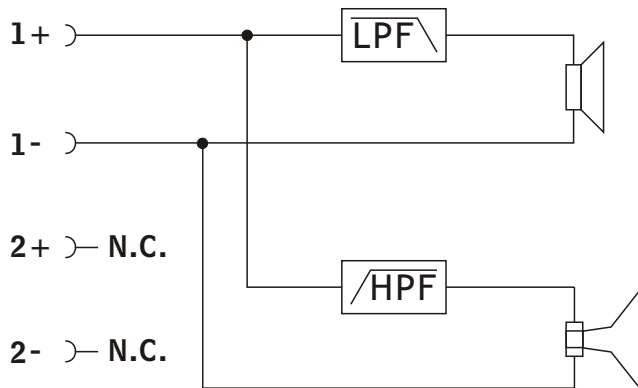


# SM-12



Professional  
Loudspeaker

## Block Diagram



## Dimension Drawings

