

Zenith 218



Professional
Loudspeaker

Key Features:

- Compact passive subwoofer system
- Smooth Response With High Power Handling Capacity of 1200W RMS
- 2x18"/100mm Transducer
- 16 Integral Suspension Points
- Stackable array system
- Complete Mounting Solutions



General Description and Applications:

W audio Subwoofers are legendary for their extended low frequency response and high-impact "punch".

Providing massive output these compact rigid enclosures feature advanced transducer designs with an extremely high output.

Integral pole available to support one mid-high or full range loudspeaker.

Technical Specification:

Freq.Range(-10dB):	32Hz~2000Hz
Freq.Response(-3dB):	40Hz~2000Hz
Axial Sensitivity:	100dB(1W/1m)
Max Calculated SPL:	137dB
Rated System Power:	1200W RMS 4800W Peak
LF Transducer:	2x18"/100mm
Nominal Impedance:	4ohm
Connector:	2xNL4 Speakon
Dim (W×H×D):	1055mm×635mm×720mm
Net Weight:	76Kg
Shipping Weight:	82.5Kg

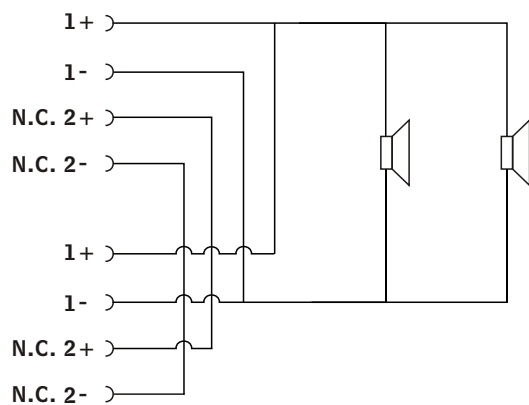


Zenith 218



Professional
Loudspeaker

Block Diagram



Dimension Drawings

