

Zenith S118



Professional
Loudspeaker

Key Features:

- Compact passive subwoofer system
- Smooth Response With High Power Handling Capacity of 650W RMS
- 18"/100mm Transducer
- 16 Integral Suspension Points
- Stackable array system
- Complete Mounting Solutions



General Description and Applications:

W audio Subwoofers are legendary for their extended low frequency response and high-impact "punch".

Providing massive output these compact rigid enclosures feature advanced transducer designs with an extremely high output.

Integral pole available to support one mid-high or full range loudspeaker.

Technical Specification:

Freq.Range(-10dB):	40Hz~220Hz
Freq.Response(-3dB):	45Hz~200Hz
Axial Sensitivity:	99dB(1W/1m)
Max Calculated SPL:	133dB
Rated System Power:	650W RMS 2600W Peak
LF Transducer:	18"/100mm
Nominal Impedance:	8ohm
Connector:	2xNL4 Speakon
Dim (W×H×D):	535mm×645mm×620mm
Net Weight:	40.5Kg
Shipping Weight:	44Kg

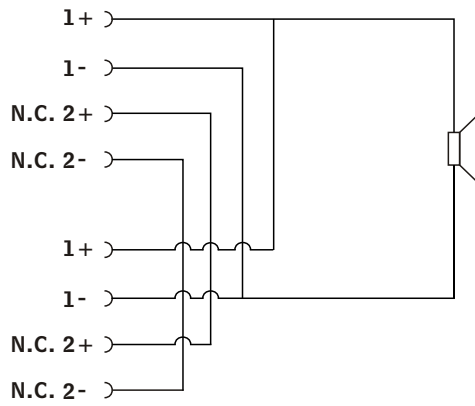


Zenith S118



Professional
Loudspeaker

Block Diagram



Dimension Drawings

