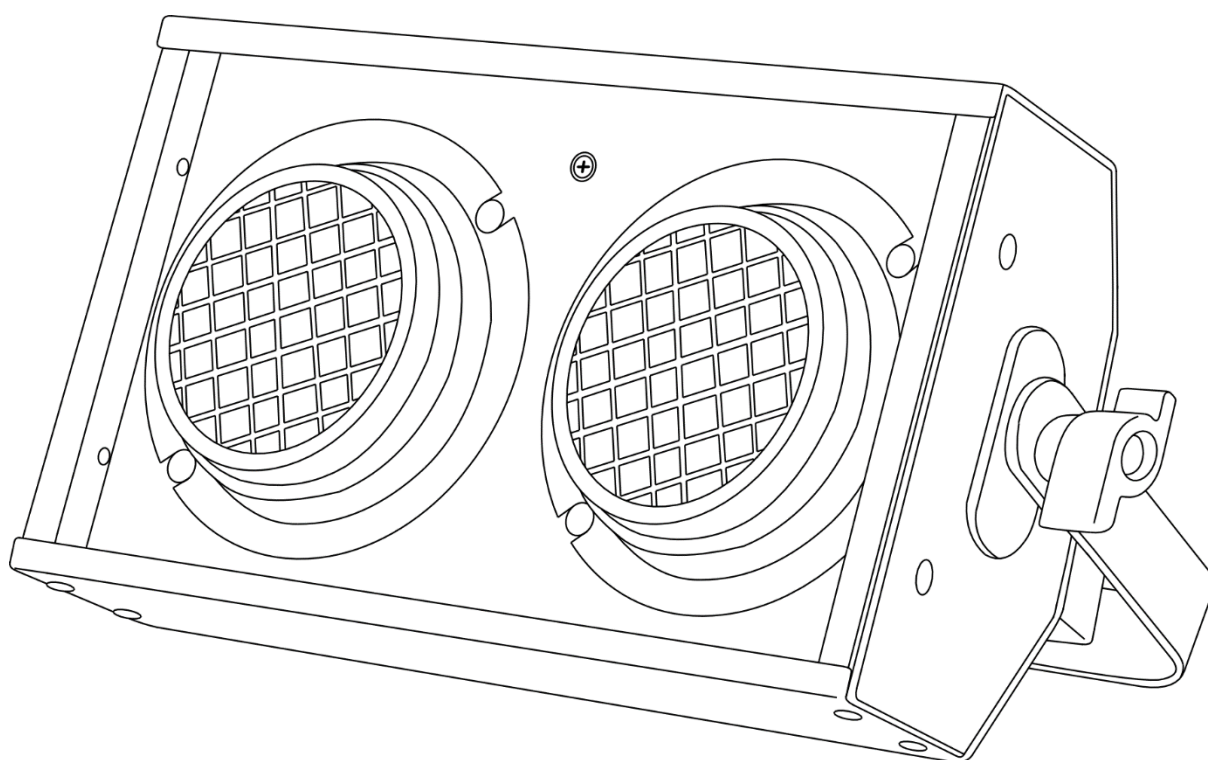




**MANUAL**



**ENGLISH**

**Stage Blinder 2 Black DMX Bulb V2**

**Ordercode: 30770**

## Table of contents

---

<b>Warning</b> .....	2
Safety Instructions .....	2
Operating Determinations .....	4
Rigging .....	4
Connection with the mains.....	5
Return Procedure .....	6
Claims.....	6
<b>Description of the device</b> .....	7
Frontside.....	7
Backside .....	8
<b>Installation</b> .....	8
Installing the Lamp.....	9
<b>Set Up and Operation</b> .....	10
Control Modes.....	10
One Stage Blinder (Stand-alone) .....	10
Multiple Stage Blinders (DMX control) .....	10
DIP Switch Setting for DMX Mode.....	12
DMX Address Quick Reference Chart .....	13
Device Linking .....	14
Data Cabling.....	14
DMX Channels .....	14
1 Channel.....	14
<b>Maintenance</b> .....	15
Changing the Lamp.....	15
Replacing the Fuse .....	15
<b>Troubleshooting</b> .....	15
No Light .....	15
No Response to DMX.....	16
<b>Product Specifications</b> .....	17
<b>Dimensions</b> .....	18

## Warning



**For your own safety, please read this user manual carefully  
before your initial start-up!**

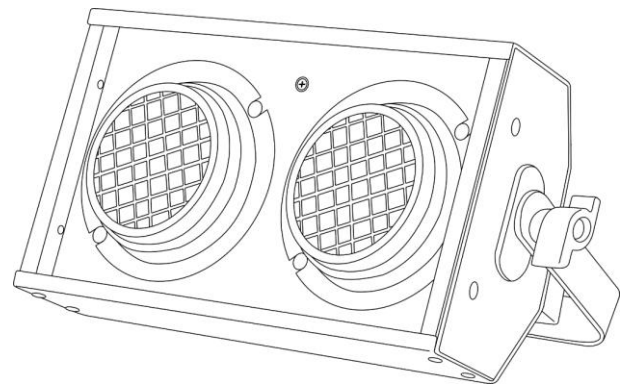


## Unpacking Instructions

Immediately upon receiving this product, carefully unpack the carton and check the contents to ensure that all parts are present, and have been received in good condition. Notify the dealer immediately and retain packing material for inspection if any parts appear damaged from shipping or the carton itself shows signs of mishandling. Save the carton and all packing materials. In the event that a device must be returned to the factory, it is important that the device be returned in the original factory box and packing.

### Your shipment includes:

- Stage Blinder 2 Black DMX Bulb with Schuko power cable (0,8 m)
- User manual



**CAUTION!**  
**Keep this device away from rain and moisture!**  
**Unplug mains lead before opening the housing!**



## Safety Instructions

Every person involved with the installation, operation and maintenance of this device has to:

- be qualified
- follow the instructions of this manual



**CAUTION! Be careful with your operations.**  
**With a dangerous voltage you can suffer  
a dangerous electric shock when touching the wires!**



Before the initial start-up, please make sure that there is no damage caused by transportation. Should there be any, consult your dealer and do not use the device.

To maintain perfect condition and to ensure a safe operation, it is absolutely necessary for the user to follow the safety instructions and warning notes contained in this manual.

Please consider that damages caused by manual modifications to the device are not subject to warranty.

This device contains no user-serviceable parts. Refer servicing to qualified technicians only.

### IMPORTANT:

The manufacturer will not accept liability for any resulting damages caused by the non-observance of this manual or any unauthorized modification to the device.

- Never let the power cord come into contact with other cables! Handle the power cord and all connections with the mains with particular caution!
- Never remove warning or informative labels from the device.
- Never use anything to cover the ground contact.
- Never run the device without lamp!
- Never leave any cables lying around.
- Never look directly into the light source.
- Never use the device during thunderstorms. Unplug the device immediately.
- Do not insert objects into air vents.
- Do not open the device and do not modify the device.
- Do not connect this device to a dimmer pack.
- Do not shake the device. Avoid brute force when installing or operating the device.
- Do not switch the device on and off in short intervals, as this would reduce the system's life.
- Do not touch the device's housing bare-handed during its operation (housing becomes very hot).
- Only use device indoors, avoid contact with water or other liquids.
- Only operate the device after having checked that the housing is firmly closed and all screws are tightly fastened.
- Only operate the device after having familiarized with its functions.
- Avoid flames and do not put close to flammable liquids or gases.
- Always replace the lamp, when it is damaged or deformed due to the heat.
- Always keep case closed while operating.
- Always allow free air space of at least 50 cm around the device for ventilation.
- Always disconnect power from the mains, when device is not used or before cleaning! Only handle the power cord by the plug. Never pull out the plug by tugging the power cord.
- Make sure that the device is not exposed to extreme heat, moisture or dust.
- Make sure that the available voltage is not higher than stated on the rear panel.
- Make sure that the power cord is never crimped or damaged. Check the device and the power cord from time to time.
- If one of the lamps is obviously damaged, it has to be replaced. So that its functions are not impaired, due to cracks or deep scratches.
- If the external cable is damaged, it has to be replaced by a qualified technician.
- If device is dropped or struck, disconnect mains power supply immediately. Have a qualified engineer inspect for safety before operating.
- If the device has been exposed to drastic temperature fluctuation (e.g. after transportation), do not switch it on immediately. The arising condensation water might damage your device. Leave the device switched off until it has reached room temperature.
- If your Showtec device fails to work properly, discontinue use immediately. Pack the device securely (preferably in the original packing material), and return it to your Showtec dealer for service.
- For adult use only. The device must be installed out of the reach of children. Never leave the device running unattended.
- The user is responsible for correct positioning and operating of the Stage Blinder 2. The manufacturer will not accept liability for damages caused by the misuse or incorrect installation of this device.
- This device falls under protection class I. Therefore it is essential to connect the yellow/green conductor to earth.
- For replacement use lamps and fuses of same type and rating only.
- Allow time to cool down, before replacing lamp.
- Repairs, servicing and electric connection must be carried out by a qualified technician.
- WARRANTY: Till one year after date of purchase.



**CAUTION! Eyedamages!!!**  
**Avoid looking directly into the lightsource!!!**  
**(meant especially for epileptics)!!!**



### Operating Determinations

- This device is not designed for permanent operation. Consistent operation breaks will ensure that the device will serve you for a long time without defects.
- The minimum distance between light output and the illuminated surface must be bigger than 2 meters.
- In order to eliminate wear and improve the device's lifespan, during periods of non-use, completely disconnect from power source via breaker or by unplugging.
- The maximum ambient temperature  $t_a = 40^\circ\text{C}$  must never be exceeded.
- The relative humidity must not exceed 50 % with an ambient temperature of  $40^\circ\text{C}$ .
- If this device is operated in any other way than the one described in this manual, the product may suffer damages and the warranty becomes void.
- Any other operation may lead to dangers like short-circuit, burns, electric shock, crash, etc.

*You endanger your own safety and the safety of others!*

### Rigging

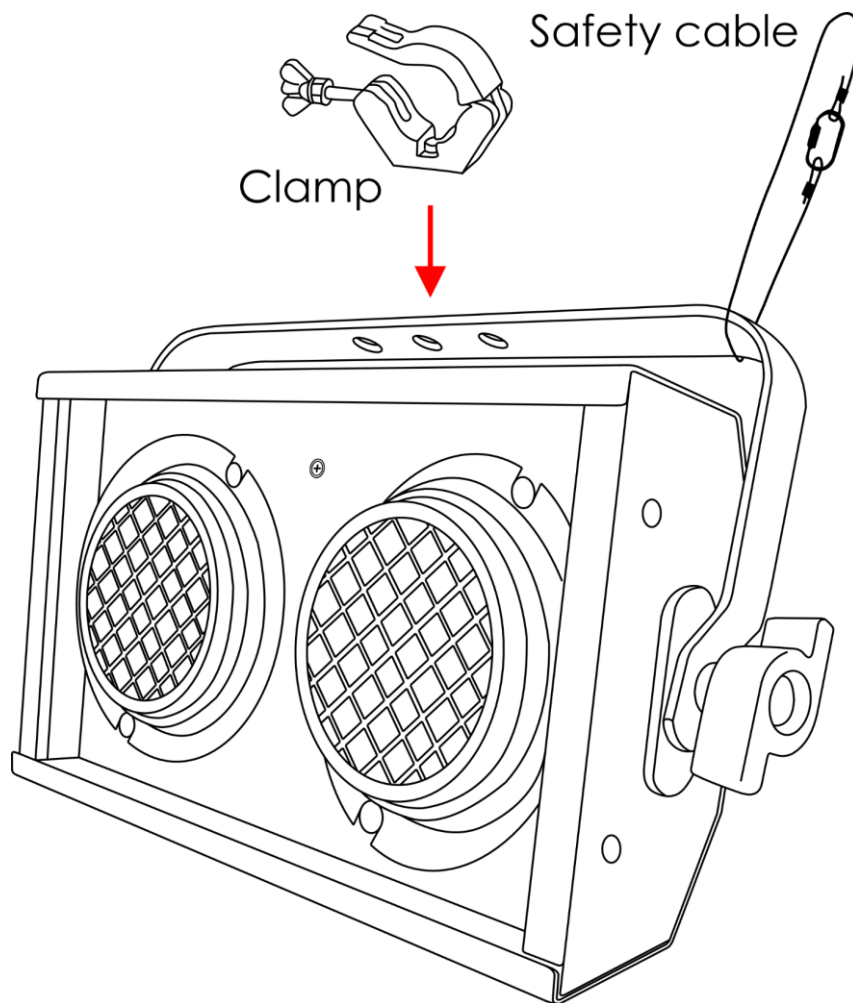
*Please follow the European and national guidelines concerning rigging, trussing and all other safety issues.*

*Do not attempt the installation yourself !*

*Always let the installation be carried out by an authorized dealer !*

### Procedure:

- If the Stage Blinder is lowered from the ceiling or high joists, professional trussing systems have to be used.
- Use a clamp to mount the Stage Blinder, with the mounting bracket, to the trussing system.
- The Stage Blinder must never be fixed swinging freely in the room.
- The installation must always be secured with a safety attachment, e.g. an appropriate safety net or safety cable.
- When rigging, derigging or servicing the Stage Blinder, always make sure, that the area below the installation site is secured and that there are not any unauthorized people around.



The Stage Blinder can be placed on a flat stage floor or mounted to any kind of truss with a clamp.

*Improper installation can cause serious injuries and/or damage of property!*

**Connection with the mains**

Connect the device to the mains with the power-plug.  
Always check if the right color cable is connected to the right place.

International	EU Cable	UK Cable	US Cable	Pin
L	BROWN	RED	YELLOW/COPPER	PHASE
N	BLUE	BLACK	SILVER	NEUTRAL
⊕	YELLOW/GREEN	GREEN	GREEN	PROTECTIVE GROUND

*Make sure that the device is always properly connected to the earth!*

*Improper installation can cause serious injuries and/or damage of property!*



### **Return Procedure**

Returned merchandise must be sent prepaid and in the original packing, call tags will not be issued. Package must be clearly labeled with a Return Authorization Number (RMA number). Products returned without an RMA number will be refused. Highlite will not accept the returned goods or any responsibility. Call Highlite 0031-455667723 or mail [offersales@highlite.com](mailto:offersales@highlite.com) and request an RMA prior to shipping the device. Be prepared to provide the model number, serial number and a brief description of the cause for the return. Be sure to properly pack device, any shipping damage resulting from inadequate packaging is the customer's responsibility. Highlite reserves the right to use its own discretion to repair or replace product(s). As a suggestion, proper UPS packing or double-boxing is always a safe method to use.

**Note: If you are given an RMA number, please include the following information on a piece of paper inside the box:**

- 01) Your name
- 02) Your address
- 03) Your phone number
- 04) A brief description of the symptoms

### **Claims**

The client has the obligation to check the delivered goods immediately upon delivery for any shortcomings and/or visible defects, or perform this check after our announcement that the goods are at their disposal. Damage incurred in shipping is the responsibility of the shipper; therefore the damage must be reported to the carrier upon receipt of merchandise.

It is the customer's responsibility to report and submit claims with the shipper in the event that a device is damaged due to shipping. Transportation damage has to be reported to us within one day after receipt of the delivery.

Any return shipment has to be made post-paid at all times. Return shipments must be accompanied with a letter defining the reason for return shipment. Non-prepaid return shipments will be refused, unless agreed otherwise in writing.

Complaints against us must be prepared in writing or sent by fax within 10 working days after receipt of the invoice. After this period complaints will not be handled anymore.

Complaints will only then be considered if the client has so far complied with all parts of the agreement, regardless of the agreement from which the obligation is resulting.



## Description of the device

### Features

The Stage Blinder 2 Black DMX Bulb is a DMX blinder with high output.

- Input voltage: 240 V AC, 50/60 Hz
- Power consumption: 1300 W
- Light source: 2 x Par 36 120 V 650 W DWE Showgear
- Lumen total: 48000 lm
- Setup and addressing: DIP switches
- DMX mode: 1 channel
- Dimmer: 0–100 %
- Control protocol: DMX-512
- Housing: Metal
- Color: Black
- Control modes: Auto, Manual, DMX
- IP rating: IP20
- Cooling: Convection
- Connections: Schuko power cable (0,8 m) & 3-pin DMX signal connector IN/OUT
- Fuse: F8 A/250 V
- Dimensions: 380 x 155 x 190 mm (LxWxH)
- Weight: 3,64 kg

### Optional accessories:

[80170](#) – Par 36 120 V 650 W DWE Showgear

### Frontside

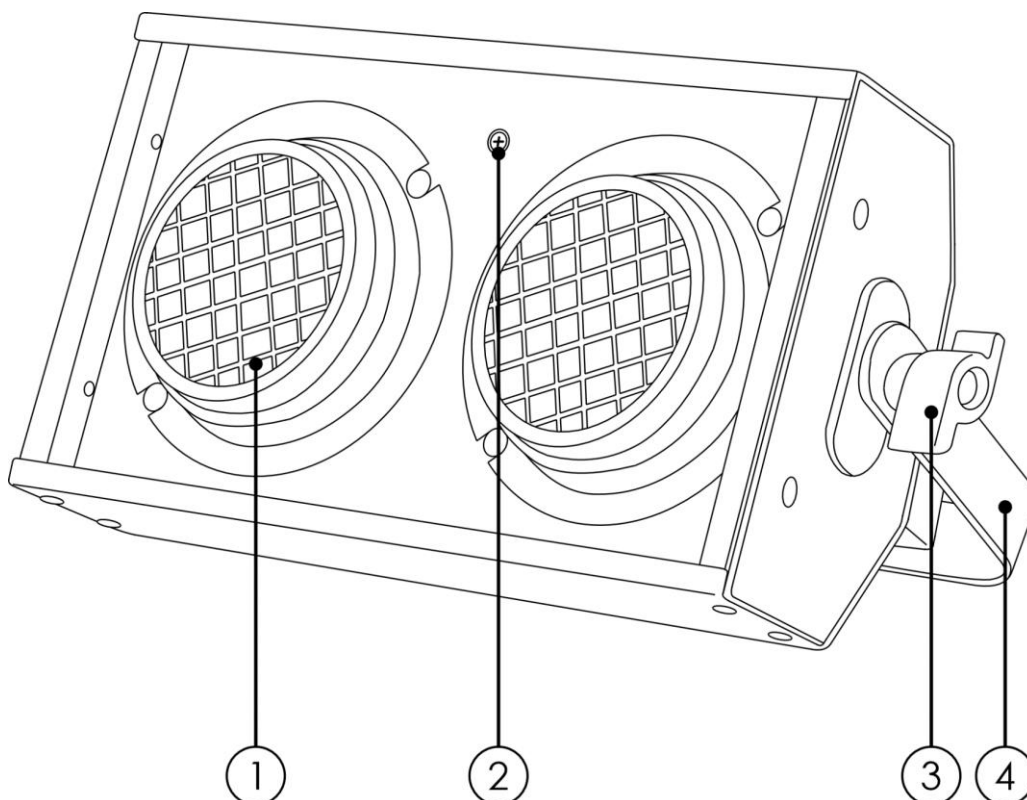


Fig. 01

- 01) 2 x Par 36 120 V 650 W
- 02) Ground/earth connection
- 03) Adjustment screw
- 04) Mounting bracket with inclination screw



## Backside

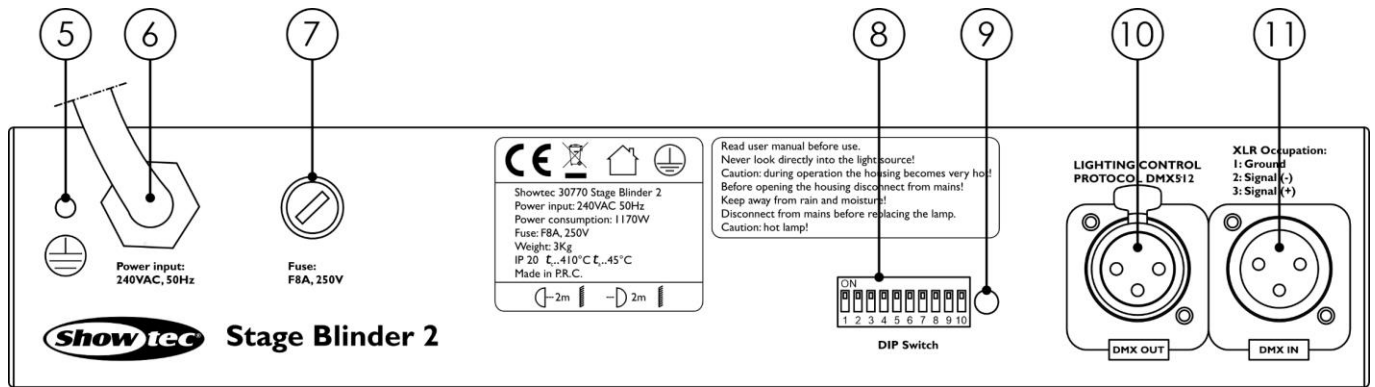


Fig. 02

- 05) Ground/earth connection
- 06) Schuko power cable (0,8 m)
- 07) Fuse F8 A/250 V
- 08) DIP switches
- 09) DMX signal LED indicator
- 10) 3-pin DMX signal connector OUT
- 11) 3-pin DMX signal connector IN

## Installation

Remove all packing materials from the Stage Blinder 2 Black DMX Bulb. Check if all foam and plastic padding is removed. Connect all cables.

**Do not supply power before the whole system is set up and connected properly.**

**Always disconnect from electric mains power supply before cleaning or servicing.**

**Damages caused by non-observance are not subject to warranty.**

### Installing the Lamp

The Stage Blinder 2 Black DMX Bulb uses the Par 36 120V 650W DWE Showgear (ordercode: 80170) bulb as manufactured by all popular manufacturers. Use only the appropriate lamp for your device.

Note, that product versions that use other lamps, may be offered in the future. Check your product specification label for information.

**Always disconnect from electric mains power supply before changing lamps.**

The lamp has to be replaced when it is damaged or deformed due to the heat.

**Do not install lamps with a higher wattage!** Lamps with a higher wattage generate temperatures the device was not designed for.

**Damages caused by non-observance are not subject to warranty.**

### Procedure

- 01) Loosen the 2 screws on the front of the lamp housing (Fig. 03).
- 02) Gently remove the metal lamp cover (Fig. 04).
- 03) Read lamp instructions. Do not touch the lamp bulb glass. Gently remove the lamp from its socket.
- 04) Remove the 2 cables on the back of the lamp and remove the lamp. Oil on hands shortens the lamp life. (If you touch the bulb glass, wipe off the glass with a clean, lint-free towel and rubbing alcohol.)
- 05) Take the new lamp out of the box (Fig. 05).
- 06) Take the 2 cables and by using the screws, fit them to the back of the lamp. Place the lamp in the housing (Fig. 06).
- 07) Put the metal lamp housing back and fasten the 2 screws.

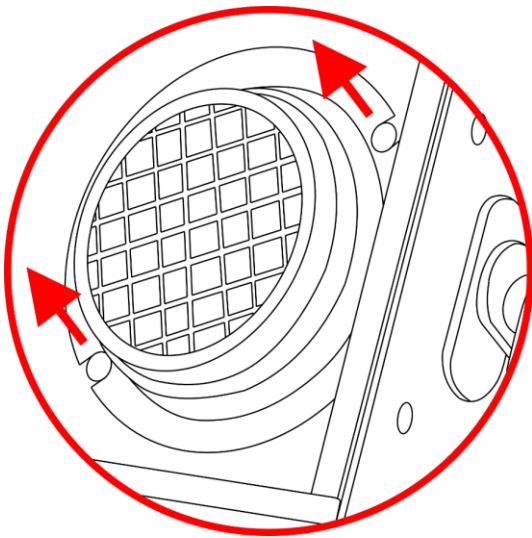


Fig. 03

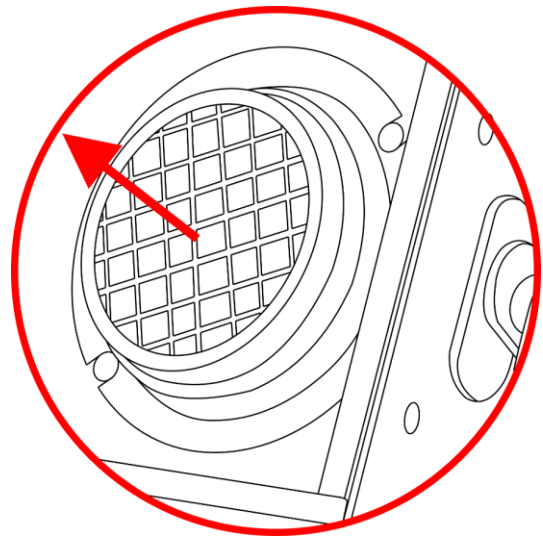


Fig. 04

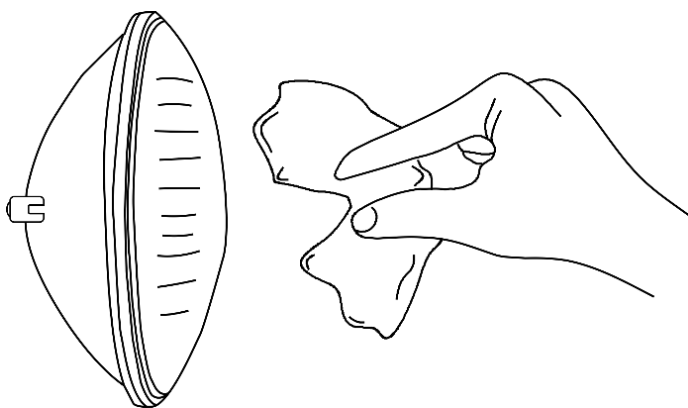


Fig. 05

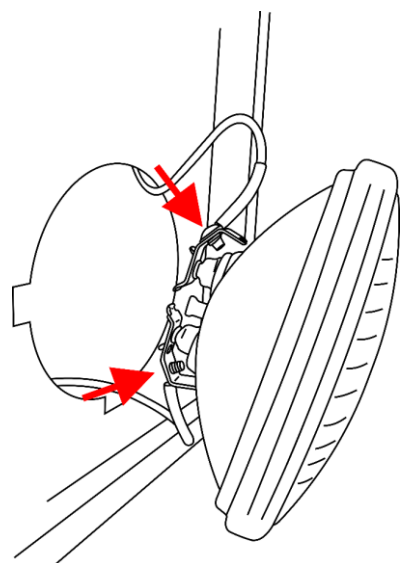


Fig. 06

## Set Up and Operation

Follow the directions below, as they pertain to your preferred operation mode.

Before plugging the device in, always make sure that the power supply matches the product specification voltage. Do not attempt to operate a 120 V specification product on 230 V power, or vice versa.

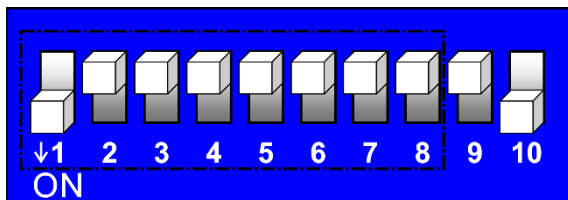
Connect the device to the main power supply.

### Control Modes

- There are 2 modes:
- Stand-alone (Auto)
  - DMX-512 (1CH)

#### One Stage Blinder (Stand-alone)

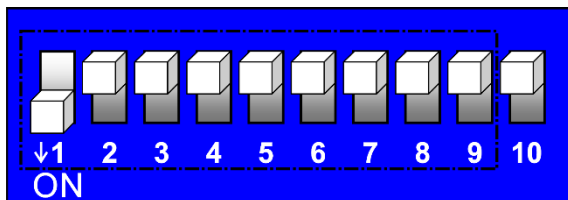
- 01) Fasten the effect light onto firm trussing. Leave at least 2 meters on all sides for air circulation.
- 02) Always use a safety cable (ordercode 70140 / 70141).
- 03) Plug the end of the electric mains power cord into a proper electric power supply socket.
- 04) When the Stage Blinder is not connected with a DMX cable, it functions as a stand-alone device. DIP switch #10 must always be set to ON for Stand-alone control.



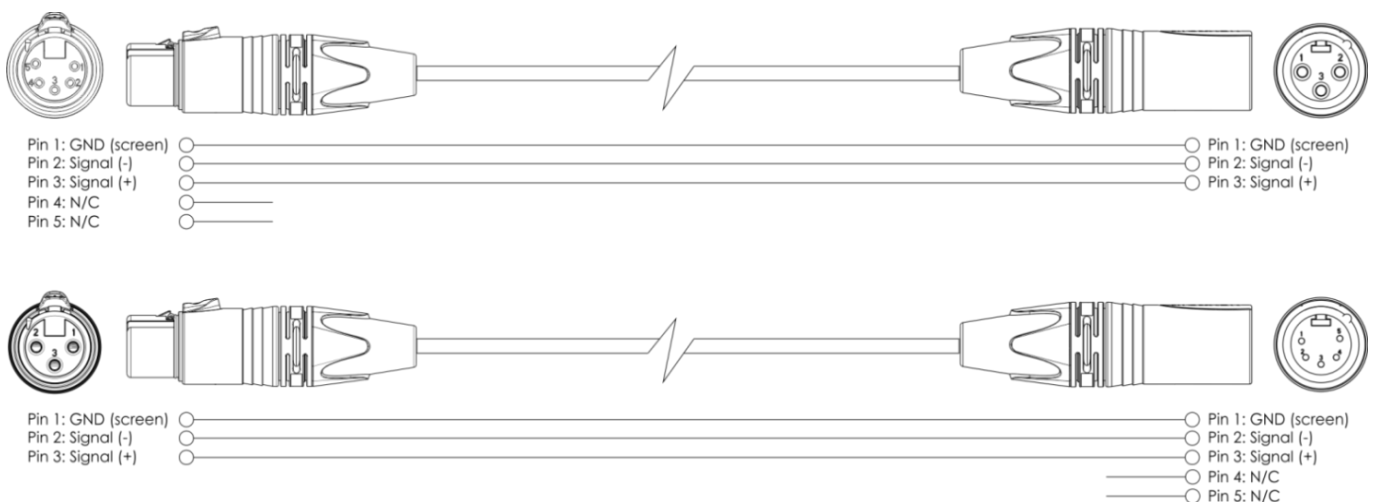
**Stand-alone:** DIP switch # 10 to ON position. Red LED on the backside of the Stage Blinder is ON.

#### Multiple Stage Blinders (DMX control)

- 01) Fasten the effect light onto firm trussing. Leave at least 2 meters on all sides for air circulation.
- 02) Always use a safety cable (ordercode 70140 / 70141).
- 03) Use a 3-pin XLR cable to connect the Stage Blinders and other devices.



**DMX control:** DIP switch # 10 to OFF position. Move DIP switches # 1–9 to set the desired DMX address. Red LED on the backside of the device is blinking.



- 01) Link the devices as shown in Fig. 07. Connect the first device's DMX "out" socket with the second device's "in" socket, using a DMX-signal cable. Repeat this process to link the second, third, and fourth devices.
- 02) Supply electric power: Plug the power cords into proper electric power supply sockets, starting with the first device. Do not supply power before the whole system is set up and connected properly.

## Multiple Stage Blinders DMX Setup

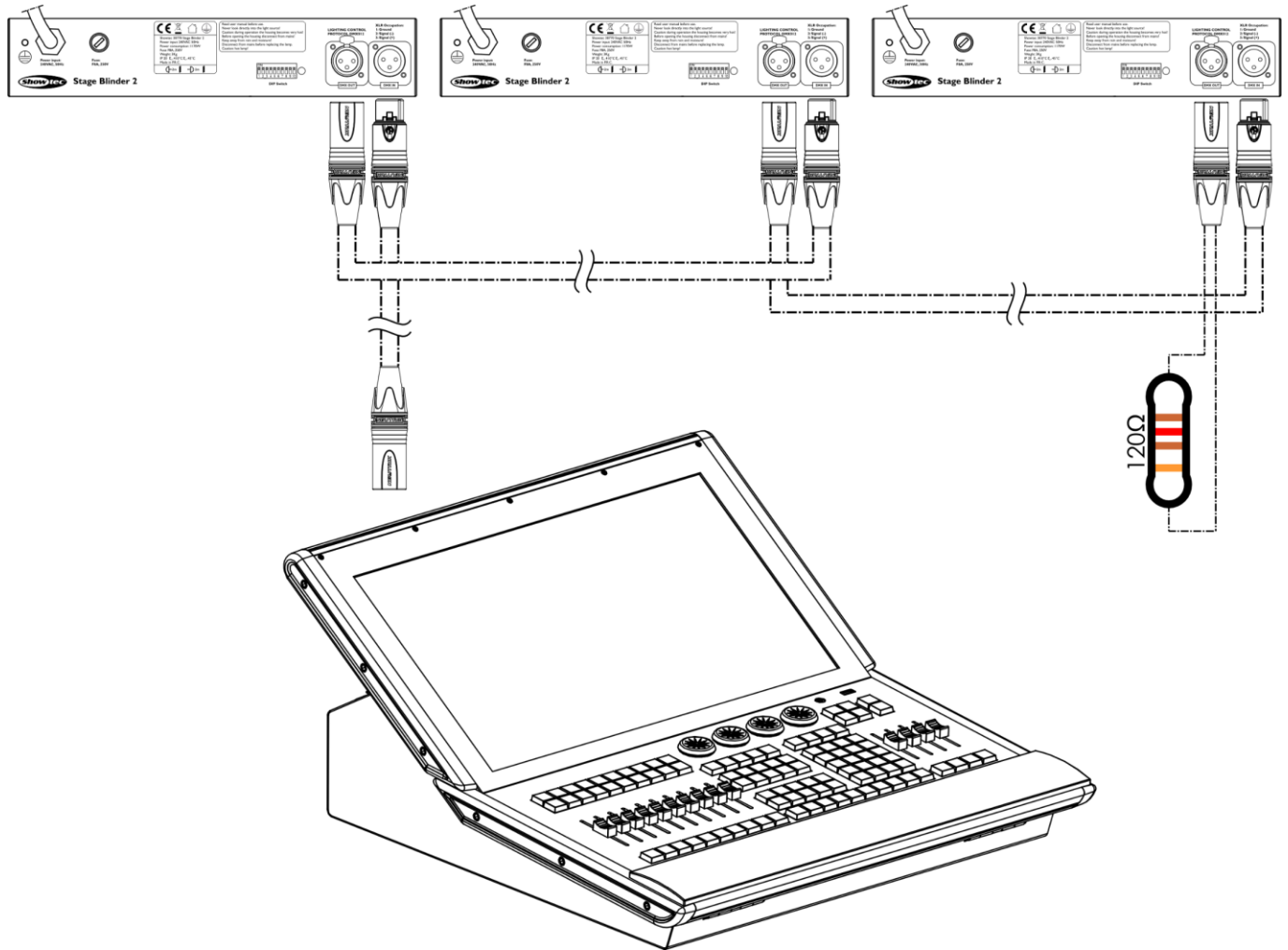


Fig. 07

**Note:** Link all cables and set DIP switches before connecting electric power

After switching on, the Stage Blinder will automatically detect whether DMX 512 data is received or not.

If there is no data received, the problem may be:

- 01) The XLR cable from the controller is not connected with the input of the Stage Blinder.
- 02) The controller is switched off or defective, the cable or connector is defective, or the signal wires are swapped in the input connector.

**Note:** It is necessary to insert a XLR termination plug (with 120 Ohm) in the last device in order to ensure proper transmission on the DMX data link.

## DIP Switch Setting for DMX Mode

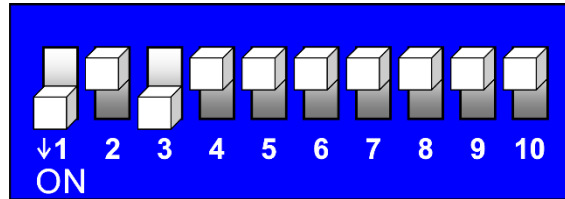
DMX products must have their own address to receive DMX signals. Addresses on the controller are set by flipping the appropriate DIP switches # 1–9.

DMX address settings are the sum of the DIP switch values. A standard DMX address for the Showtec Stage Blinder is as follows:

### Example 1

**Stage Blinder**                      **Address Value**                      **DMX DIP Switches "ON"**  
 Device 5                                      5                                      #1 , #3

Switch                                      Value  
 #1    1  
 #3    4+  
 Total sum                                      5



Explanation: Since each device has 1 channel, each address advances by 1 value (See Address Value above). Once address values are determined, add DMX DIP switch values to obtain the appropriate address (DMX DIP switches "ON") for each device. Flip appropriate DMX DIP switches on each device.

### Example 2

- 01) If you want to give a Stage Blinder DMX address 133, you first have to find the number 133 in the DMX Chart (see page 13).
- 02) Look at the left side (DIP switches #1-#5) horizontally from 133.  
 In the table you will see #1=ON, #2=OFF, #3=ON, #4=OFF, #5=OFF.
- 03) Finally look at the upper side of the table (DIP switches #6-#9) vertically from 133.  
 In the table you will see #6=OFF, #7=OFF, #8=ON, #9=OFF.

## DMX Address Quick Reference Chart

DMX DIP SWITCH SET						#9	0	0	0	0	0	0
0=OFF						#8	0	0	0	0	0	1
1=ON						#7	0	0	1	1	0	0
						#6	0	1	0	1	0	1
#1	#2	#3	#4	#5			32	64	96	128	160	
0	0	0	0	0		1	33	65	97	129	161	
1	0	0	0	0		2	34	66	98	130	162	
0	1	0	0	0		3	35	67	99	131	163	
1	1	0	0	0		4	36	68	100	132	164	
0	0	1	0	0		5	37	69	101	133	165	
1	0	1	0	0		6	38	70	102	134	166	
0	1	1	0	0								



# DMX Address Quick Reference Chart

Dip Switch Position

DMX DIP SWITCH SET 0=OFF 1=ON					Dip Switch Position															
#9	0	0	0	0	0	0	0	0	0	1	1	1	1	1	1	1	1			
#8	0	0	0	0	1	1	1	1	0	0	0	0	1	1	1	1				
#7	0	0	1	1	0	0	1	1	0	0	1	1	0	0	1	1				
#6	0	1	0	1	0	1	0	1	0	1	0	1	0	1	0	1				
#1	#2	#3	#4	#5																
0	0	0	0	0	32	64	96	128	160	192	224	256	288	320	352	384	416	448	480	
1	0	0	0	0	1	33	65	97	129	161	193	225	257	289	321	353	385	417	449	481
0	1	0	0	0	2	34	66	98	130	162	194	226	258	290	322	354	386	418	450	482
1	1	0	0	0	3	35	67	99	131	163	195	227	259	291	323	355	387	419	451	483
0	0	1	0	0	4	36	68	100	132	164	196	228	260	292	324	356	388	420	452	484
1	0	1	0	0	5	37	69	101	133	165	197	229	261	293	325	357	389	421	453	485
0	1	1	0	0	6	38	70	102	134	166	198	230	262	294	326	358	390	422	454	486
1	1	1	0	0	7	39	71	103	135	167	199	231	263	295	327	359	391	423	455	487
0	0	0	1	0	8	40	72	104	136	168	200	232	264	296	328	360	392	424	456	488
1	0	0	1	0	9	41	73	105	137	169	201	233	265	297	329	361	393	425	457	489
0	1	0	1	0	10	42	74	106	138	170	202	234	266	298	330	362	394	426	458	490
1	1	0	1	0	11	43	75	107	139	171	203	235	267	299	331	363	395	427	459	491
0	0	1	1	0	12	44	76	108	140	172	204	236	268	300	332	364	396	428	460	492
1	0	1	1	0	13	45	77	109	141	173	205	237	269	301	333	365	397	429	461	493
0	1	1	1	0	14	46	78	110	142	174	206	238	270	302	334	366	398	430	462	494
1	1	1	1	0	15	47	79	111	143	175	207	239	271	303	335	367	399	431	463	495
0	0	0	0	1	16	48	80	112	144	176	208	240	272	304	336	368	400	432	464	496
1	0	0	0	1	17	49	81	113	145	177	209	241	273	305	337	369	401	433	465	497
0	1	0	0	1	18	50	82	114	146	178	210	242	274	306	338	370	402	434	466	498
1	1	0	0	1	19	51	83	115	147	179	211	243	275	307	339	371	403	435	467	499
0	0	1	0	1	20	52	84	116	148	180	212	244	276	308	340	372	404	436	468	500
1	0	1	0	1	21	53	85	117	149	181	213	245	277	309	341	373	405	437	469	501
0	1	1	0	1	22	54	86	118	150	182	214	246	278	310	342	374	406	438	470	502
1	1	1	0	1	23	55	87	119	151	183	215	247	279	311	343	375	407	439	471	503
0	0	0	1	1	24	56	88	120	152	184	216	248	280	312	344	376	408	440	472	504
1	0	0	1	1	25	57	89	121	153	185	217	249	281	313	345	377	409	441	473	505
0	1	0	1	1	26	58	90	122	154	186	218	250	282	314	346	378	410	442	474	506
1	1	0	1	1	27	59	91	123	155	187	219	251	283	315	347	379	411	443	475	507
0	0	1	1	1	28	60	92	124	156	188	220	252	284	316	348	380	412	444	476	508
1	0	1	1	1	29	61	93	125	157	189	221	253	285	317	349	381	413	445	477	509
0	1	1	1	1	30	62	94	126	158	190	222	254	286	318	350	382	414	446	478	510
1	1	1	1	1	31	63	95	127	159	191	223	255	287	319	351	383	415	447	479	511

Dip Switch Position

DMX Address

### Device Linking

You will need a serial data link to run light shows of one or more devices using a DMX-512 controller or to run synchronized shows of two or more devices set to a master/slave operating mode. The combined number of channels required by all the devices on a serial data link determines the number of devices the data link can support.

**Important:** Devices on a serial data link must be daisy-chained in a single line. To comply with the EIA-485 standard, no more than 30 devices should be connected on one data link. Connecting more than 30 devices on one serial data link without the use of a DMX optically isolated splitter may result in deterioration of the digital DMX signal.



Maximum recommended DMX data link distance: 100 meters

Maximum recommended number of devices on a DMX data link: 30 devices

### Data Cabling

To link devices together, you must obtain data cables. You can purchase DAP Audio certified DMX cables directly from a dealer/distributor or construct your own cable. If you choose to create your own cable, please use data-grade cables that can carry a high quality signal and are less prone to electromagnetic interference.

#### DAP Audio DMX Data Cables

- DAP Audio Basic microphone cable for allround use. bal. XLR/M 3-pin > XLR/F 3-pin. **Ordercode** FL01150 (1,5 m), FL013 (3 m), FL016 (6 m), FL0110 (10 m), FL0115 (15 m), FL0120 (20 m).
- DAP Audio X-type data cable XLR/M 3-pin > XLR/F 3-pin. **Ordercode** FLX0175 (0,75 m), FLX01150 (1,5 m), FLX013 (3 m), FLX016 (6 m), FLX0110 (10 m).
- DAP Audio cable for the demanding user with exceptional audio-qualities and connector made by Neutrik®. **Ordercode** FL71150 (1,5 m), FL713 (3 m), FL716 (6 m), FL7110 (10 m).
- DAP Audio cable for the demanding user with exceptional audio-qualities and connector made by Neutrik®. **Ordercode** FL7275 (0,75 m), FL72150 (1,5 m), FL723 (3 m), FL726 (6 m), FL7210 (10 m).
- DAP Audio 110 Ohm cable with digital signal transmission. **Ordercode** FL0975 (0,75 m), FL09150 (1,5 m), FL093 (3 m), FL096 (6 m), FL0910 (10 m), FL0915 (15 m), FL0920 (20 m).
- DAP Audio data cable FL08 DMX/AES-EBU, XLR/M 5-pin > XLR/F 5-pin. **Ordercode** FL08150 (1,5 m), FL083 (3 m), FL086 (6 m), FL0810 (10 m), FL0820 (20 m).
- DAP Audio DMX adapter: 5-pin/3-pin. **Ordercode** FLA29.
- DAP Audio DMX adapter: 3-pin/5-pin. **Ordercode** FLA30.
- DAP Audio DMX Terminator 3-pin. **Ordercode** FLA42.
- DAP Audio DMX Terminator 5-pin. **Ordercode** FLA43.

### DMX Channels

#### 1 Channel

##### Channel 1 – Dimmer

0–255      Dimmer intensity, from dark to brightest



### Maintenance

---

The operator has to make sure that safety-related and machine-technical installations are to be inspected by an expert after every year in the course of an acceptance test.

The operator has to make sure that safety-related and machine-technical installations are to be inspected by a skilled person once a year.

The following points have to be considered during the inspection:

- 01) All screws used for installing the device or parts of the device have to be tightly connected and must not be corroded.
- 02) There may not be any deformations on housings, fixations and installation spots.
- 03) Mechanically moving parts like axles, eyes and others may not show any traces of wearing.
- 04) The electric power supply cables must not show any damages or material fatigue.

The Showtec Stage Blinder 2 Black DMX Bulb requires almost no maintenance. However, you should keep the device clean. Otherwise, the device's light output will be significantly reduced. Disconnect the mains power supply, and then wipe the cover with a damp cloth. Do not immerse in liquid. Wipe lamps clean with glass cleaner and a soft cloth. Do not use alcohol or solvents.

The lamps will require weekly cleaning, as smoke-fluid tends to build up residues, reducing the light-output very quickly.

Keep connections clean. Disconnect electric power, and then wipe the DMX and audio connections with a damp cloth. Make sure connections are thoroughly dry before linking equipment or supplying electric power.

### Changing the Lamp

- 01) Disconnect mains power supply, and allow 15 minutes to cool down.
- 02) Loosen the knurled bolt on the back of the lamp housing and pull the housing out.
- 03) Holding it by the base, remove the lamp from its retention box.
- 04) Follow directions for installing a new lamp, page 9.

### Replacing the Fuse

Power surges, short-circuit or inappropriate electrical power supply may cause a fuse to burn out. If the fuse burns out, the product will not function whatsoever. If this happens, follow the directions below.

- 01) Unplug the device from electric power source.
- 02) Insert a screwdriver into the slot in the fuse cover. Turn the fuse holder counterclockwise. The fuse will come out.
- 03) Remove the used fuse. If brown or unclear, it is burned out.
- 04) Insert the replacement fuse into the holder where the old fuse was. Reinsert the fuse holder. Be sure to use a fuse of the same type and specification. See the product specification label for details.

### Troubleshooting

---

This troubleshooting guide is meant to help solve simple problems.

If a problem occurs, carry out the steps below in sequence until a solution is found. Once the device operates properly, do not carry out following steps.

#### No Light

If the light effect does not operate properly, refer servicing to a technician.

Suspect three potential problem areas as: the power supply, the lamp, the internal fuse.

- 01) Power supply. Check that the device is plugged into an appropriate power supply.
- 02) The lamp. Replace the lamp. See page 9 for installing the lamp.
- 03) The fuse. Replace the fuse. See page 15 for replacing the fuse.
- 04) If all of the above appears to be O.K., plug the device in again.
- 05) If you are unable to determine the cause of the problem, do not open the Stage Blinder, as this may damage the device and the warranty will become void.
- 06) Return the device to your Showtec dealer.

### No Response to DMX

Suspect the DMX cable or connectors, a controller malfunction, a light effect DMX card malfunction.

- 01) Check the DMX setting. Make sure that DMX addresses are correct.
- 02) Check the DMX cable: Unplug the device; change the DMX cable; then reconnect to electrical power. Try your DMX control again.
- 03) Determine whether the controller or light effect is at fault. Does the controller operate properly with other DMX products? If not, take the controller in for repair. If so, take the DMX cable and the light effect to a qualified technician.

Problem	Probable cause(s)	Solution
One or more devices do not function at all	No power to the device	<ul style="list-style-type: none"> <li>Check if power is switched on and cables are plugged in</li> </ul>
	Primary fuse blown	<ul style="list-style-type: none"> <li>Replace the fuse</li> </ul>
Devices reset correctly, but all respond erratically or not at all to the controller	The controller is not connected	<ul style="list-style-type: none"> <li>Connect controller</li> </ul>
	3-pin XLR Out of the controller does not match XLR Out of the first device on the link (i.e. signal is reversed)	<ul style="list-style-type: none"> <li>Install a phase reversing cable between the controller and the first device on the link</li> </ul>
Devices reset correctly, but some respond erratically or not at all to the controller	Poor data quality	<ul style="list-style-type: none"> <li>Check data quality. If much lower than 100 percent, the problem may be a bad data link connection, poor quality or broken cables, missing termination plug, or a defective device disturbing the link</li> </ul>
	Bad data link connection	<ul style="list-style-type: none"> <li>Inspect connections and cables. Correct poor connections. Repair or replace damaged cables</li> </ul>
	Data link not terminated with 120 Ohm termination plug	<ul style="list-style-type: none"> <li>Insert termination plug in output jack of the last device on the link</li> </ul>
	Incorrect addressing of the devices	<ul style="list-style-type: none"> <li>Check address setting</li> </ul>
	One of the devices is defective and disturbs data transmission on the link	<ul style="list-style-type: none"> <li>Bypass one device at a time until normal operation is restored: unplug both connectors and connect them directly together</li> <li>Have the defective device serviced by a qualified technician</li> </ul>
	3-pin XLR Out on the devices does not match (pins 2 and 3 reversed)	<ul style="list-style-type: none"> <li>Install a phase-reversing cable between the devices or swap pin 2 and 3 in the device that behaves erratically</li> </ul>
No light or lamp cuts out intermittently	Device is too hot	<ul style="list-style-type: none"> <li>Allow the device to cool down</li> <li>Make sure air vents in control panel and the front lens are not blocked</li> <li>Turn up the air conditioning</li> </ul>
	Lamp is damaged	<ul style="list-style-type: none"> <li>Disconnect the device and replace the lamp</li> <li>Return the device to your Showtec dealer</li> </ul>
	The power supply settings do not match local AC voltage and frequency	<ul style="list-style-type: none"> <li>Disconnect device. Check settings and correct if necessary</li> </ul>

## Product Specifications

Model:	Showtec Stage Blinder 2 Black DMX Bulb
Input voltage:	240 V AC, 50/60 Hz
Power consumption:	1300 W
DMX linking:	30 pcs
Fuse:	F8 A/250 V
Dimensions:	380 x 155 x 190 mm (LxWxH)
Weight:	3,64 kg
<b>Operating and Programming:</b>	
Setup and addressing:	DIP switches
Signal pin OUT:	Pin 1 (earth), pin 2 (-), pin 3 (+)
DMX mode:	1 channel
Signal input:	3-pin XLR IN
Signal output:	3-pin XLR OUT
<b>Lamp:</b>	
Allowed lamp models*:	80170 – Par 36 120 V 650 W DWE Showgear
<b>Electro-mechanical effects:</b>	
Light source:	2 x Par 36 120 V 650 W DWE Showgear
Lumen total:	48000 lm
Dimmer:	0–100 %
Housing:	Metal
Color:	Black
Control:	Auto, Manual, DMX
Connections:	Schuko power cable (0,8 m)
IP rating:	IP20
Cooling:	Convection
Max. ambient temperature $t_a$ :	40 °C
Max. surface temperature $t_B$ :	80 °C
<b>Minimum distance:</b>	
Minimum distance from flammable surfaces:	2 m
Minimum distance to lighted object:	2 m

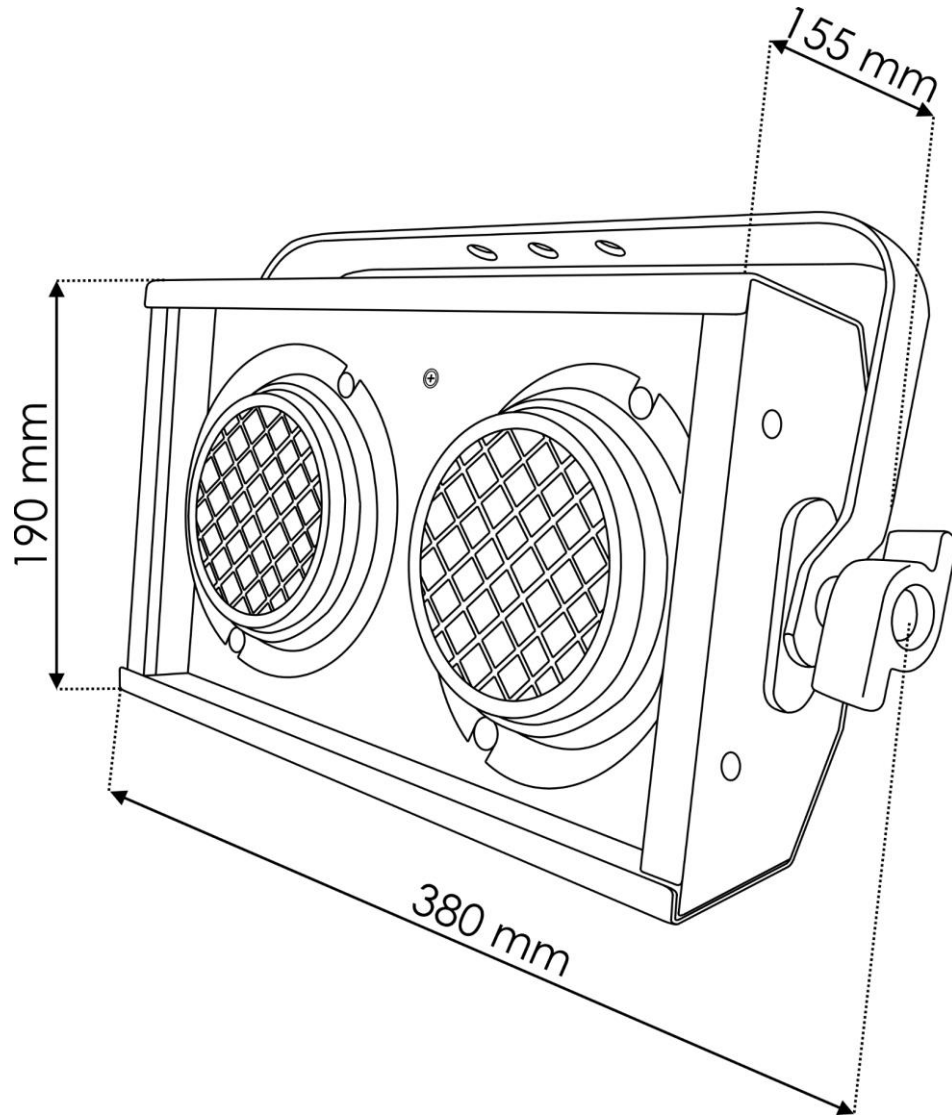
\*: Versions for other lamps may be produced. Please check the specification label on your product.

Design and product specifications are subject to change without prior notice.



Website: [www.Showtec.info](http://www.Showtec.info)  
 Email: [service@highlite.com](mailto:service@highlite.com)

## Dimensions





©2023 Showtec