

ENGLISH

RDM Touch

V1

Ordercode: 50409

**Table of contents**

<b>Warning</b> .....	2
Unpacking Instructions.....	2
Safety Instructions .....	2
Operating Determinations .....	3
Connection with the mains.....	3
Return Procedure.....	4
Claims.....	4
 <b>Description of the device</b> .....	5
Frontside.....	5
Backside .....	6
 <b>Installation</b> .....	6
 <b>Set Up and Operation</b> .....	6
Power ON/OFF.....	6
Keyboard.....	7
Main Menu Options .....	7
 <b>Control Modes</b> .....	8
1. Receive DMX.....	8
2. Send DMX.....	9
2.1. Sending Art-Net/sACN to the DMX Output .....	9
3. Cable Tester.....	10
4. Channel Tracer .....	10
5. Timings.....	11
Refresh Rates .....	11
6. Flicker Finder .....	12
6.1. Results .....	12
7. Sequence.....	13
8. PWM Tester .....	14
9. MIDI Test.....	14
10. RDM Controller .....	15
11. Options .....	17
Sending and Receiving DMX with Art-Net and sACN .....	17
Receiving DMX.....	17
Sending DMX .....	17
 <b>Maintenance</b> .....	18
Touch Screen Calibration.....	18
 <b>Troubleshooting</b> .....	18
No Response to DMX.....	18
 <b>Product Specifications</b> .....	20
 <b>Dimensions</b> .....	21

## Warning



**For your own safety, please read this user manual carefully  
before your initial start-up!**

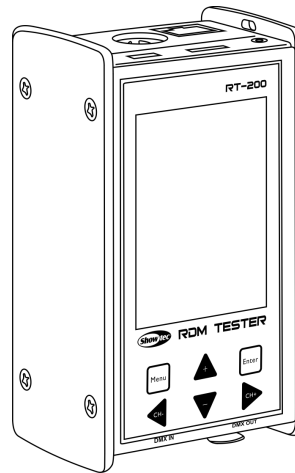


### Unpacking Instructions

Immediately upon receiving this product, carefully unpack the carton and check the contents to ensure that all parts are present, and have been received in good condition. Notify the dealer immediately and retain packing material for inspection if any parts appear damaged from shipping or the carton itself shows signs of mishandling. Save the carton and all packing materials. In the event that a fixture must be returned to the factory, it is important that the fixture be returned in the original factory box and packing.

### Your shipment includes:

- Showtec RDM Touch
- Carrying case
- 3 to 5-pin adapters
- User manual



### CAUTION!

**Keep this device away from rain and moisture!  
Unplug mains lead before opening the housing!**



### Safety Instructions

Every person involved with the installation, operation and maintenance of this device has to:

- be qualified
- follow the instructions of this manual



**CAUTION! Be careful with your operations.  
With a dangerous voltage you can suffer  
a dangerous electric shock when touching the wires!**



Before the initial start-up, please make sure that there is no damage caused by transportation. Should there be any, consult your dealer and do not use the device.

To maintain perfect condition and to ensure a safe operation, it is absolutely necessary for the user to follow the safety instructions and warning notes contained in this manual.

Please consider that damages caused by manual modifications to the device are not subject to warranty.

This device contains no user-serviceable parts. Refer servicing to qualified technicians only.

**IMPORTANT:**

The manufacturer will not accept liability for any resulting damages caused by the non-observance of this manual or any unauthorized modification to the device.

- Never remove warning or informative labels from the unit.
- Do not open the device and do not modify the device.
- Do not disconnect and reconnect the device in short intervals, as this would reduce the device's life.
- Only use the device indoors, avoid contact with water or other liquids.
- Avoid flames and do not put close to flammable liquids or gases.
- Make sure that the device is not exposed to extreme heat, moisture or dust.
- If the device is dropped or struck, have a qualified engineer inspect for safety before operating.
- If the device has been exposed to drastic temperature fluctuation (e.g. after transportation), do not switch it on immediately. The arising condensation water might damage your device. Leave the device switched off until it has reached room temperature.
- If your Showtec device fails to work properly, discontinue use immediately. Pack the unit securely (preferably in the original packing material), and return it to your Showtec dealer for service.
- The user is responsible for correct positioning and operating of the RDM Touch. The manufacturer will not accept liability for damages caused by the misuse or incorrect installation of this device.
- Repairs, servicing and electric connection must be carried out by a qualified technician.
- WARRANTY: Till one year after date of purchase.


**Operating Determinations**

- This device is not designed for permanent operation. Consistent operation breaks will ensure that the device will serve you for a long time without defects.
- The maximum ambient temperature  $t_a = 45^{\circ}\text{C}$  must never be exceeded.
- The relative humidity must not exceed 50 % with an ambient temperature of  $45^{\circ}\text{C}$ .
- If this device is operated in any other way than the one described in this manual, the product may suffer damages and the warranty becomes void.

*You endanger your own safety and the safety of others!*

**Connection with the mains**

Connect the device to the mains with the power-plug.  
Always check if the right color cable is connected to the right place.

International	EU Cable	UK Cable	US Cable	Pin
L	BROWN	RED	YELLOW/COPPER	PHASE
N	BLUE	BLACK	SILVER	NEUTRAL
	YELLOW/GREEN	GREEN	GREEN	PROTECTIVE GROUND

*Make sure that the device is always properly connected to the earth!*

*Improper installation can cause serious injuries and/or damage of property!*



### **Return Procedure**

Returned merchandise must be sent prepaid and in the original packing, call tags will not be issued. Package must be clearly labeled with a Return Authorization Number (RMA number). Products returned without an RMA number will be refused. Highlite will not accept the returned goods or any responsibility. Call Highlite 0031-455667723 or mail [offersales@highlite.nl](mailto:offersales@highlite.nl) and request an RMA prior to shipping the fixture. Be prepared to provide the model number, serial number and a brief description of the cause for the return. Be sure to properly pack fixture, any shipping damage resulting from inadequate packaging is the customer's responsibility. Highlite reserves the right to use its own discretion to repair or replace product(s). As a suggestion, proper UPS packing or double-boxing is always a safe method to use.

**Note: If you are given an RMA number, please include the following information on a piece of paper inside the box:**

- 01) Your name
- 02) Your address
- 03) Your phone number
- 04) A brief description of the symptoms

### **Claims**

The client has the obligation to check the delivered goods immediately upon delivery for any shortcomings and/or visible defects, or perform this check after our announcement that the goods are at their disposal. Damage incurred in shipping is the responsibility of the shipper; therefore the damage must be reported to the carrier upon receipt of merchandise.

It is the customer's responsibility to report and submit claims with the shipper in the event that a fixture is damaged due to shipping. Transportation damage has to be reported to us within one day after receipt of the delivery.

Any return shipment has to be made post-paid at all times. Return shipments must be accompanied with a letter defining the reason for return shipment. Non-prepaid return shipments will be refused, unless agreed otherwise in writing.

Complaints against us must be prepared in writing or sent by fax within 10 working days after receipt of the invoice. After this period complaints will not be handled anymore.

Complaints will only then be considered if the client has so far complied with all parts of the agreement, regardless of the agreement from which the obligation is resulting.

## Description of the device

### Features

The Showtec RDM Touch is the most ultimate tool for every lighting technician. With its versatile functions and user-friendly 6-button + full-color TFT touch screen display, the RDM Touch is fully equipped to measure, test, and troubleshoot any application with DMX-controlled lighting. This unit can be used for testing 3 and 5-pin cables, test MIDI signals, monitor and analyze signals, program sequences, send and receive DMX, and is also equipped with an RDM controller function. The RDM Touch is delivered including carrying case and 3 to 5-pin XLR adapters.

### Features

- Power supply: 9V battery (battery not included)
- USB power consumption: 300mA max.
- Display: Full-color LCD
- Display resolution: 240 x 320 pixel
- Memory: microSD card
- DMX port IN: 5-pin DMX signal connector
- DMX port OUT: 5-pin DM signal connector
- DMX ports' electrical standard: ANSI E1.11 / ANSI E1.20
- RJ45 port supports TCP/IP, Art-Net; DHCP & Static IP assignment
- USB port: Micro USB B type
- Cable tester: 3/5-pin, open circuit, short circuit, wrong wiring
- Operating temperature: 0°C to +45°C
- Dimensions: 67 x 44 x 113 mm (LxWxH)
- Weight: 0,4 kg

### Frontside

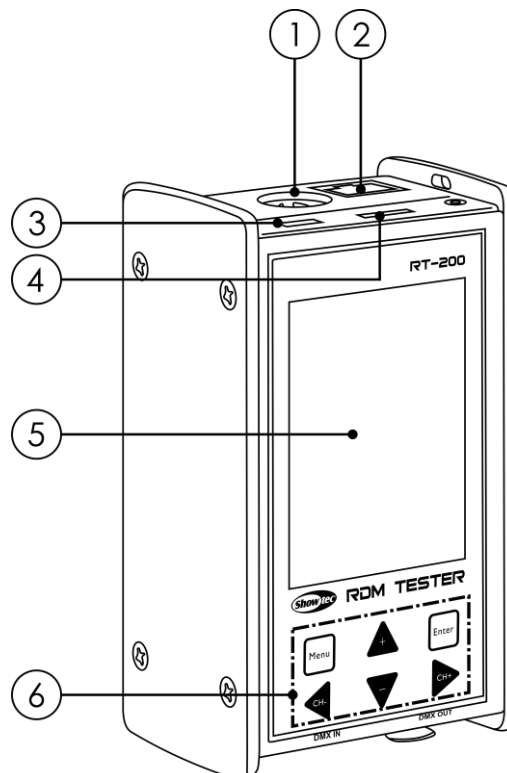


Fig. 01

- 01) MIDI connector
- 02) RJ45 connector IN/OUT
- 03) Micro USB connector (PC connection/power supply)
- 04) Micro SD card slot
- 05) LCD touch screen display
- 06) Control buttons (MENU/ENTER/+/-/CH-/CH+)

## Backside

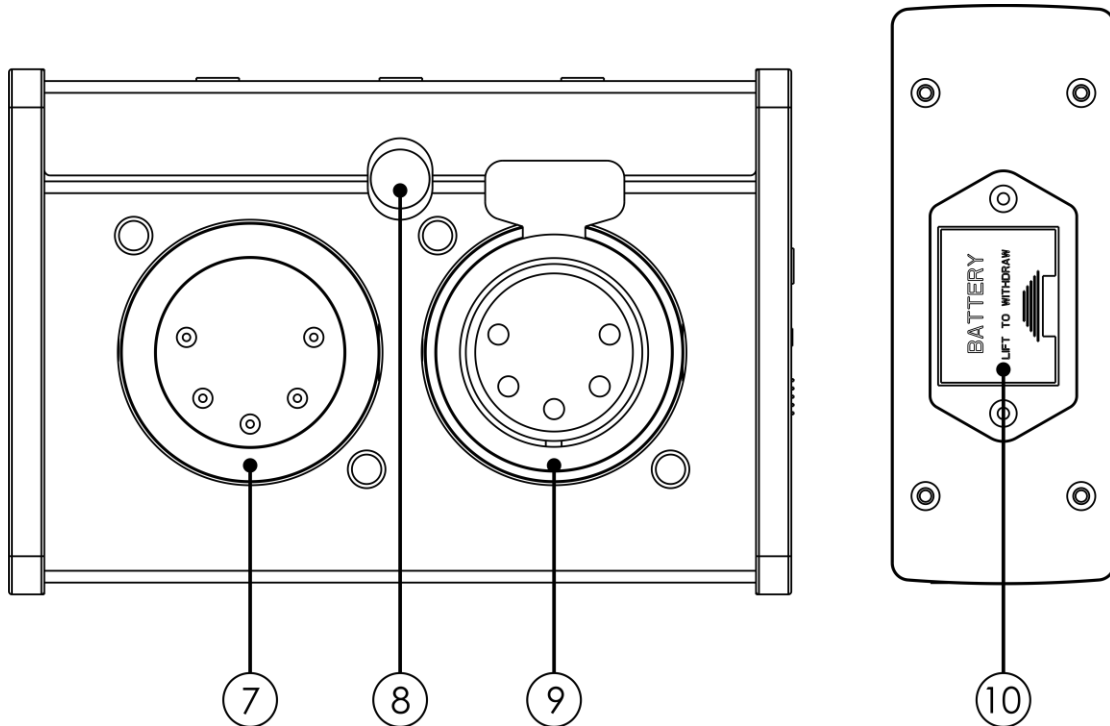


Fig. 02

- 07) 5-pin DMX signal connector IN
- 08) Light sensor for PWM testing
- 09) 5-pin DMX signal connector OUT
- 10) 9V battery housing

## Installation

Remove all packing materials from the RDM Touch. Check if all foam and plastic padding is removed. Connect all cables.

**Do not supply power before the whole system is set up and connected properly.**

**Always disconnect from electric mains power supply before cleaning or servicing.**

**Damages caused by non-observance are not subject to warranty.**

## Set Up and Operation

Follow the directions below, as they pertain to your preferred operation mode.

Before plugging the unit in, always make sure that the power supply matches the product specification voltage. Do not attempt to operate a 120V specification product on 230V power, or vice versa.

Connect the device to the main power supply.

### Power ON/OFF

- 01) If you power the RDM Touch with a 9V battery, press and hold down the **MENU** button for 3 seconds. The RDM Touch will switch on.
- 02) Repeat step 1 to switch the RMD Touch off.

**NOTE:** It is also possible to power the RDM Touch via USB. In such case, plug one end of the USB cable into the Micro USB connector (**03**) and the other end into your PC. The RDM Touch will switch on. In order to switch the RDM Touch off, simply unplug the cable.

## Keyboard

In certain areas, you will be required to use the digital QWERTY keyboard, by means of which it is possible to input text.

- 01) Touch the display with the stylus pen or press the control buttons (+, -, **CH-** and **CH+**) (06) to choose the desired character.
- 02) If you **DO NOT** use the stylus pen, you need to press the **ENTER** button every time, to confirm your choice.
- 03) If you wish to edit/delete characters, press the + button until you select the text field. Press the **CH-** and **CH+** buttons to move the cursor. Press the **ENTER** button to delete the character in front of the cursor.
- 04) If you need to use special characters, select @.
- 05) Once you have finished, select <ENTER> on the screen by touching it with the stylus pen or press the **ENTER** button to confirm. In order to cancel your text input, select <EXIT>.

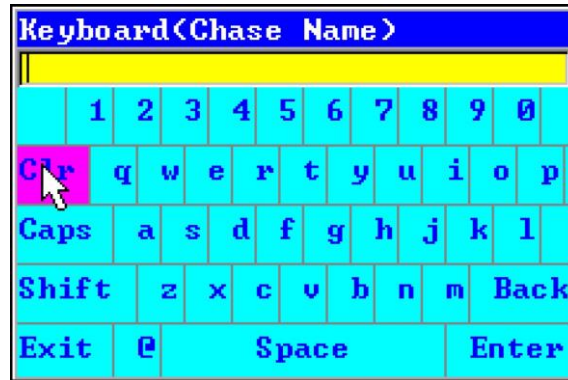


Fig. 03

## Main Menu Options

**NOTE:** NOTE: All the menu options can be accessed either by pressing the control buttons (06) or by touching the desired option with the stylus pen.

- 01) In order to enter main menu, press the **MENU** button or, using the stylus pen, select <MENU> on the screen. The display will show:



- 02) In order to select the desired menu, press the control buttons (06) or touch the desired menu's name with the stylus pen.



## Control Modes

### 1. Receive DMX

In this menu the device will receive DMX signals and show the current value (as well as the maximum and minimum value) for each channel.

- 01) Choose the desired channel by touching it with the stylus pen.  
 02) Using the stylus pen, touch <OPTION>. The display will show:

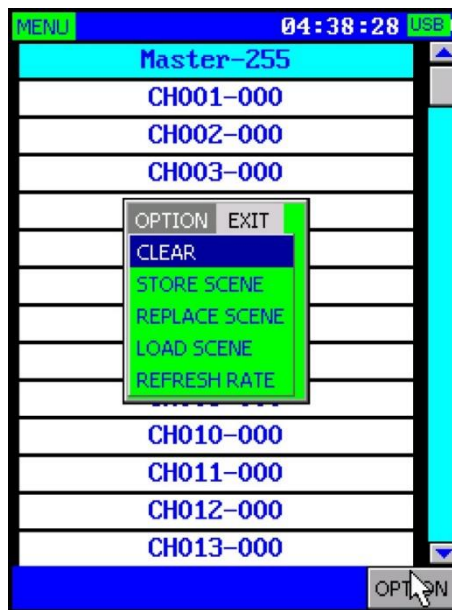
CH	MIN	MAX	VAL
001	FL	00%	00%
002	FL	00%	00%
003	FL	00%	00%
004	FL	00%	00%
005	FL	00%	00%
006	FL	00%	00%
007	FL	00%	00%
008	FL	00%	00%
009	FL	00%	00%
010	FL	00%	00%
011	FL	00%	00%
012	FL	00%	00%
013	FL	00%	00%

The screenshot shows a context menu over channel 004 with the following options: OPTION, EXIT, STORE SCENE, REPLACE SCENE, SHOW LEVEL AS, ADDRESSES, CLEAR, and SOURCE. The bottom status bar shows 'CH: ---- NO DMX' and an 'OPTION' button.

- 03) Now it is possible to use the following options:
- Store Scene: store the current DMX data on the micro SD card, as a scene.
  - Replace Scene: overwrite an existing scene.
  - Show Level As: change the data display style (percent, decimal, hexadecimal).
  - Addresses: change the DMX range to ALL (001-512) or OPEN (current input).
  - Clear: reset all the current values.
  - Source: choose the incoming DMX source (DMX IN or NETWORK).

## 2. Send DMX

In this menu you can send DMX as well as display values for every channel in every row. It is also possible to save/load scenes from the micro SD card.



- 01) Select one of the 512 channels with the stylus pen.
- 02) Drag the stylus pen from the left to the right in order to set the channel's value.
- 03) Using the stylus pen, touch <OPTION>.
- 04) Now it is possible to use the following options:
  - Clear: reset all the current values.
  - Store Scene: store a new scene (excluding Master).
  - Replace Scene: overwrite an existing scene (excluding Master).
  - Load Scene: load previously saved scenes from the micro SD card.
  - Refresh Rate: set the DMX refresh rate. The adjustment range is between 5-40Hz.

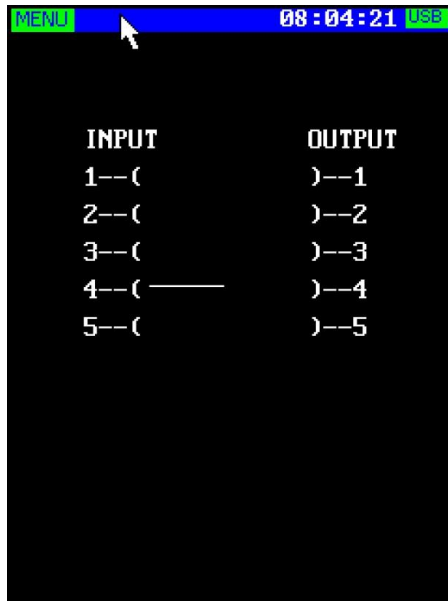
### 2.1. Sending Art-Net/sACN to the DMX Output

- 01) In main menu, go to <OPTIONS>.
- 02) Set <Network Port> to ON or AUTO.
- 03) Set <Network Protocol> to Art-Net or sACN and set the appropriate network universe.
- 04) In main menu, go to <RECEIVE DMX>, then go to <OPTION> and set the signal source as network.
- 05) Now, any Art-Net/sACN data will be transferred from the DMX output **(09)**.

### 3. Cable Tester

In this menu you can test your cables. Connect a cable to the DMX input and output connectors (07/09). In order to test 3-pin cables, use the included 3 to 5-pin adapter.

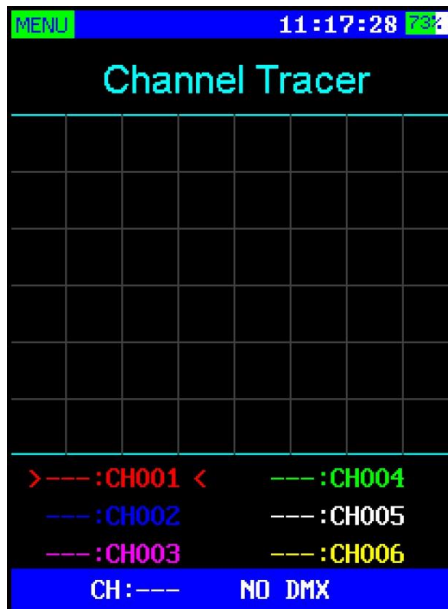
01) If you select <CABLE TESTER> in main menu, the RDM Touch will automatically start testing all the pins (1-5).



02) Solid lines, extending from each input to output (pins 1-5), indicate proper connection. Broken lines indicate faulty connection.

### 4. Channel Tracer

In this menu you can real-time test DMX values, displayed in the form of a curve.



- 01) The display shows 6 channels of data at a time.
- 02) If you want to set the channel value, use the stylus pen to select the channel in question. Press the **CH-** or **CH+** buttons or use the stylus pen to touch the (>) and (<) symbols on the screen, next to the selected channel.
- 03) In order to disable a channel, either double-click on it with the stylus pen or, once the channel has been selected, press the **ENTER** button.

### 5. Timings

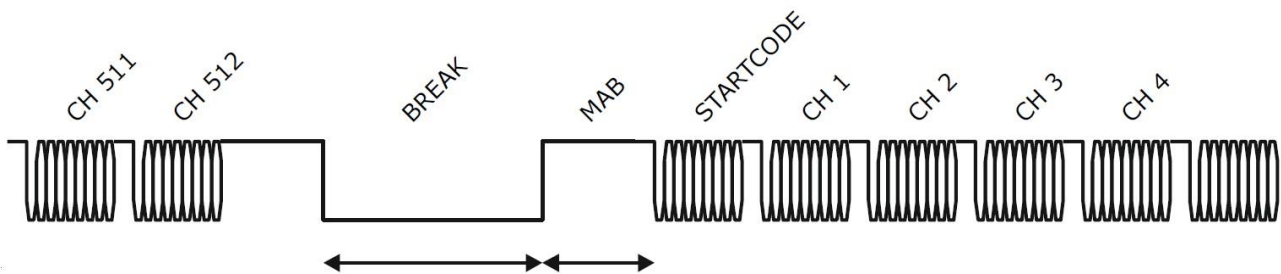
In this menu you can analyze the DMX timings.

01) Connect a DMX signal source to the DMX input **(07)**. The display will show:



02) The displayed pieces of information are:

- DMX signal: shows whether the connected DMX signal is of high or low quality.
- Refresh rate: number of frames per second.
- Break length: length of the break in microseconds.
- Mark after break (MAB): mark after break in microseconds.
- Channels received: number of received channels.



USITT DMX-512/1986  
 USITT DMX-512/1990  
 ANSI E1.11-2004

Break Length	MAB Length
≥ 88 us	≥ 4 us
≥ 88 us	≥ 8 us
≥ 92 us	≥ 12 us

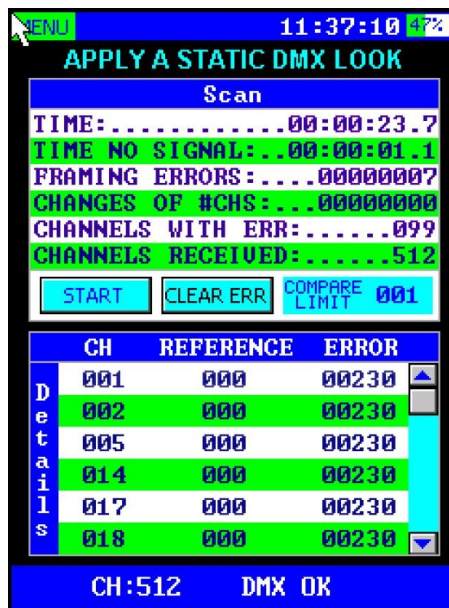
#### Refresh Rates

<1 frame per second	Not compliant with standard
1-10 frames/sec	Compliant, very slow and may cause problems with some equipment
10-25 frames/sec	Slow
25-44 frames/sec	Typical for most equipment
44 frames/sec	Maximum speed when sending all 512 channels
>44 frames/sec	Only possible when sending fewer than 512 channels. Compliant, but may cause problems with some equipment.

Please refer to ANSI E1.11 for more information on DMX-512 timings. The accuracy of the RDM Touch is within 1,5 microseconds.

## 6. Flicker Finder

In this menu you can test the stability of DMX signals. It may help detect such problems as: signal interruptions, channel quantity changes, channel value changes.



- 01) Configure your console to send a static scene or a *Static DMX Look*. It should not consist of only zeros.
- 02) Replace the flickering fixture with the RDM Touch.
- 03) In main menu, select <FLICKER FINDER>.
- 04) If needed, set <COMPARE LIMIT> (001-255). In normal circumstances, it should be set to 001.
- 05) Select <START> to start the scan.
- 06) Allow the RDM Touch to scan for a considerable amount of time. The longer the scan, the higher the transmission stability.
- 07) In the course of the scan, the Flicker Finder will display the following information:
  - TIME NO SIGNAL: accumulated time when no signal was received.
  - CHANNELS WITH ERR: the number of channels where DMX values have been received and differ by the value bigger than set in <COMPARE LIMIT>.
  - FRAMING ERRORS: the number of detected framing errors.
  - CHANGES OF #CHS: how many times the number of channels has changed.
- 08) Select <STOP> to stop/pause scanning.
- 09) In order to resume scanning, select <START>.
- 10) In order to clear previous errors, select <CLEAR ERR>.

### 6.1. Results

- 01) There are a few possible results which you may receive:
  - TIME: the accumulated scan time.
  - TIME NO SIGNAL: the time when no signal was received.
  - CHANNELS WITH ERR: the number of channels where DMX values have been received and differ by the value bigger than set in <COMPARE LIMIT>.
  - FRAMING ERRORS: the number of detected framing errors.
  - CHANNELS RECEIVED: the total number of channels received before the scan stopped.
  - CHANGES OF #CHS: how many times the number of channels has changed.
- 02) If the TIME NO SIGNAL value is bigger than 0, it may mean that your DMX setup is at fault. These count after no proper incoming signal has been received for more than 1 second. Normally, it does not lead to flickering. Another source of flickering may be framing errors.
- 03) If CHANNELS WITH ERR shows a non-zero value, it is a good indication of flickers caused by the DMX transmission (if the DMX source is sending a non-changing look.)

- 04) Look at the details, for more information on each channel where errors were found:
- CH: channels where value changes have been detected.
  - REFERENCE: the channel value during the initial test.
  - ERROR: error counter.

## 7. Sequence

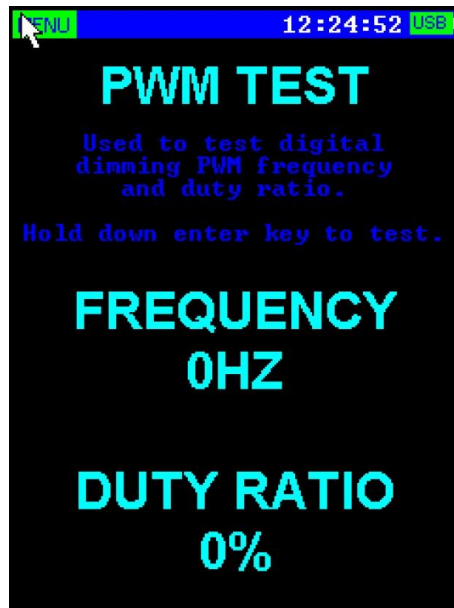
In this menu you can create, edit and play chases. Chases consist of a number of scenes, created in SEND DMX and RECEIVE DMX menus.



- 01) Press the + and - buttons to scroll through the options (in Edit Chase and Play Chase) or touch the desired option with the stylus pen.
- 02) The available functions are:
- NEW/SAVE: while creating a new chase, you can rename it. Once you have added the desired steps, select <SAVE>.
  - LOAD/ADD: use this function to open a chase or to add a step. It is also possible to insert a step or delete a currently active step by using the **CH-** and **CH+** buttons.
  - LOAD/OPEN CHASE: these buttons allow you to select a saved chase and open it in either the Edit Chase or Play Chase menus.
  - PLAY/STOP: Play and stop the currently opened chase.
- 03) In Play Chase menu, select one of the following 3 sliders and set the values using the stylus pen or by pressing the **CH-** and **CH+** buttons:
- MASTER (0-255)
  - SPEED (from slow to fast)
  - FADE (0-100%)

## 8. PWM Tester

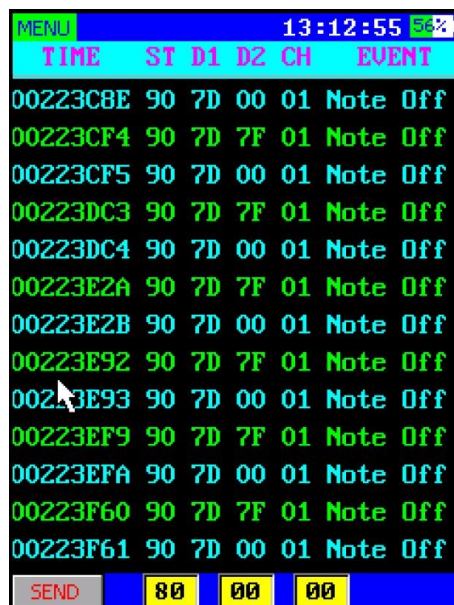
In this menu you can check the PWM (Pulse Width Modulation) frequency and duty ratio.



- 01) Point the light sensor on the bottom of the RDM Touch **(08)** at a lighting fixture.
- 02) Press and hold down the **ENTER** button.
- 03) When the data is stabilized, release the **ENTER** button.
- 04) The test result will be displayed on the screen.

## 9. MIDI Test

Under normal circumstances, MIDI is mostly one-way. In order to receive and send MIDI, you normally need two separate connectors. The RDM Touch, however, is equipped with two-way MIDI which enables it to receive and send MIDI signals.



The MIDI test function supports MIDI three-byte instructions. The first byte is the status byte (note off, note on, MIDI channel information). The second and third bytes carry the parameters of instructions. See the MIDI list of your MIDI device for more detailed information.

Use this function to test the MIDI signals sent from controller or MIDI fixtures, and if they can send MIDI signal to other devices.

- 01) In main menu, select <MIDI TEST>. If the RDM Touch is receiving MIDI signal, the instructions will be presented on the display.
- 02) If you want to send out a MIDI signal, select the <SEND> button on the screen (using the control buttons or the stylus pen).
- 03) You can enter instruction data to the right of the <SEND> button.
- 04) Press the **CH-** and **CH+** buttons to move the selected text from the <SEND> button to the instruction input boxes.
- 05) Press the **ENTER** button to confirm, or select the boxes with the stylus pen to use the digital keyboard. Enter the instruction parameters for each value. It is possible to insert both decimal and hexadecimal values.
- 06) In order to input as decimal, add "d" or "D" as the prefix (for example, to input 100: d100 or D100.)
- 07) In order to input as hexadecimal, add "h" or "H" as the prefix (for example, to input 64: h64 or H64.)
- 08) Select the <SEND> button to send the MIDI signals.
- 09) The pieces of information on the display are:
  - TIME: the time to receive/send instructions (hexadecimal).
  - ST, D1, D2: MIDI instruction, original data (hexadecimal).
  - CH: MIDI channel information (01-16).
  - EVENT: instruction types (note off, note on...)
  - SEND BUTTON: use to send MIDI instructions.
  - INPUT BOXES: use to input MIDI send instruction parameters.

## 10. RDM Controller

In this menu you can configure and monitor any RDM supporting fixtures.

- 01) Make sure that your RDM fixtures are connected in-line with the DMX output **(09)** on the RDM Touch.
- 02) In main menu, select <RDM CONTROLLER>.
- 03) The display will show the list of devices:



- 04) There are 3 buttons on the bottom of the screen:
  - DISCOVER: incremental discovery, adding new fixtures to a current list. Previously discovered units remain unaffected. If the DMX cable is disconnected, the previously discovered fixtures will not be removed.
  - FULL DIS: full discovery. If you use this option, then any previously discovered list and mute marks will be deleted. All currently connected RDM fixtures will be discovered.
  - RETURN: use to return to the higher-level menu item.



- 05) Once discovery has been completed, the available devices will be listed in the Device List screen.
- 06) Use the stylus pen (or the - and + and **ENTER** buttons) to enter the Command List of any selected fixture (the displayed options will vary per fixture).



- 07) The currently supported parameters are:
- DEVICE INFO
  - MANUFACTURER LABEL
  - DEVICE LABEL
  - FACTORY DEFAULTS
  - SOFTWARE VERSION LABEL
  - DMX PERSONALITY
  - DMX PERSONALITY DESCRIPTION
  - DMX START ADDRESS
  - SENSOR
  - PAN INVERT
  - TILT INVERT
  - PAN TILT SWAP
  - DISPLAY INVERT
  - IDENTIFY DEVICE
  - RDM RESET DEVICE

- 08) Some RDM parameters are read-only and some can be edited.

## 11. Options

- 01) In main menu, select <OPTIONS>.
- 02) Press the **-** and **+** buttons (or touch the screen with the stylus pen) to scroll through the following options:
  - Device Name: rename the device.
  - Backlight Brightness: LCD display brightness (10-100%, from dark to brightest).
  - Turn Off If Idle: turn off if idle (No, 1, 3, 5, 10 minutes).
  - Date: set the date (the type formatting must remain as currently shown. Invalid formatting will result in an input error).
  - Time: set the time (the type formatting must remain as currently shown. Invalid formatting will result in an input error).
  - IP Address: set the IP address (the type formatting must remain as currently shown. Invalid formatting will result in an input error).
  - NetMask: set the netmask (the type formatting must remain as currently shown. Invalid formatting will result in an input error).
  - Network Port: set the network port mode (on/off/auto).
  - Network Universe: set the network universe.
  - Network Protocol: select network protocol (Art-Net/sACN/Disable).
  - Delete Scene File: delete saved scenes from the micro SD card).
  - Delete Chase File: delete saved chases from the micro SD card).
  - Default Settings: restore factory settings.
  - Firmware Version: see the current software version (B1.0 V1.5).
  - Touch Screen Calibration: see page 18 for more information.
- 03) Once you have chosen the desired option, touch it with the stylus pen (or press the **ENTER** button) to change the settings.

## Sending and Receiving DMX with Art-Net and sACN

The RDM Touch can send and receive Art-Net or sACN.

- 01) In main menu, select <OPTIONS>.
- 02) Go to <Network Protocol> and choose Art-Net or sACN.
- 03) Set the universe and the sub-universe.

### Receiving DMX

- 01) If you want to receive data, go to main menu and select <RECEIVE DMX>.
- 02) Touch the <OPTION> button in the bottom right corner. Choose <SOURCE> and set it to <NETWORK>.

### Sending DMX

- 01) The network function is available via the DMX output **(09)**.
- 02) In main menu, select <SEND DMX> or <SEQUENCE> menus.
- 03) The device will now use the network to send DMX data.

## Maintenance

---

The operator has to make sure that safety-related and machine-technical installations are to be inspected by an expert after every year in the course of an acceptance test.

The operator has to make sure that safety-related and machine-technical installations are to be inspected by a skilled person once a year.

The electric power supply cables must not show any damages or material fatigue.

The RDM Touch requires almost no maintenance. However, you should keep the unit clean.

Disconnect the mains power supply, and then wipe the cover with a damp cloth. Do not immerse in liquid. Wipe the display clean with glass cleaner and a soft cloth. Do not use alcohol or solvents.

Keep connections clean. Disconnect electric power, and then wipe the DMX connections with a damp cloth. Make sure that connections are thoroughly dry before linking equipment or supplying electric power.

### Touch Screen Calibration

- 01) In main menu, select <OPTIONS>.
- 02) Scroll down to <TOUCH SCREEN CALIBRATION> and press the **ENTER** button to enter (or use the stylus pen).
- 03) Touch the crosshair on the screen with the stylus pen. The crosshair will keep on changing its location until the process has completed.
- 04) Touch the screen with the stylus pen to return to main menu.

## Troubleshooting

---

This troubleshooting guide is meant to help solve simple problems.

If a problem occurs, carry out the steps below in sequence until a solution is found. Once the unit operates properly, do not carry out the following steps.

### No Response to DMX

Suspect the DMX cable or connectors, a controller malfunction, a light effect DMX card malfunction.

- 01) Check the DMX setting. Make sure that DMX addresses are correct.
- 02) Check the DMX cable: Unplug the unit; change the DMX cable; then reconnect to electrical power. Try your DMX control again.
- 03) Determine whether the RDM Touch or light effect is at fault. Does the RDM Touch operate properly with other DMX/RDM products? If not, take the RDM Touch in for repair. If it operates properly, take the DMX cable and the light effect to a qualified technician.

<b>Problem</b>	<b>Probable cause(s)</b>	<b>Solution</b>
One or more fixtures do not function at all	No power to the fixture	<ul style="list-style-type: none"> <li>• Check if power is switched on and cables are plugged in</li> </ul>
	Internal fuse blown	<ul style="list-style-type: none"> <li>• Return the fixture to your dealer</li> </ul>
Fixtures reset correctly, but all respond erratically or not at all to the controller	The controller is not connected.	<ul style="list-style-type: none"> <li>• Connect controller.</li> </ul>
	5-pin XLR Out of the controller does not match XLR Out of the first fixture on the link (i.e. signal is reversed)	<ul style="list-style-type: none"> <li>• Install a phase reversing cable between the controller and the first fixture on the link</li> </ul>
Fixtures reset correctly, but some respond erratically or not at all to the controller	Poor data quality	<ul style="list-style-type: none"> <li>• Check data quality. If much lower than 100 percent, the problem may be a bad data link connection, poor quality or broken cables, missing termination plug, or a defective fixture disturbing the link</li> </ul>
	Bad data link connection	<ul style="list-style-type: none"> <li>• Inspect connections and cables. Correct poor connections. Repair or replace damaged cables</li> </ul>
	Data link not terminated with 120 Ohm termination plug	<ul style="list-style-type: none"> <li>• Insert termination plug in output jack of the last fixture on the link</li> </ul>
	Incorrect addressing of the fixtures	<ul style="list-style-type: none"> <li>• Check address setting</li> </ul>
No light or LEDs cut out intermittently	One of the fixtures is defective and disturbs data transmission on the link	<ul style="list-style-type: none"> <li>• Bypass one fixture at a time until normal operation is restored: unplug both connectors and connect them directly together.</li> <li>• Have the defective fixture serviced by a qualified technician</li> </ul>
	Fixture is too hot	<ul style="list-style-type: none"> <li>• Allow the fixture to cool down</li> <li>• Clean the fan</li> <li>• Make sure air vents are not blocked</li> <li>• Turn up the air conditioning</li> </ul>
	LEDs damaged	<ul style="list-style-type: none"> <li>• Disconnect the fixture and return it to your dealer</li> </ul>
	The power supply settings do not match local AC voltage and frequency	<ul style="list-style-type: none"> <li>• Disconnect fixture. Check settings and correct if necessary</li> </ul>

## Product Specifications

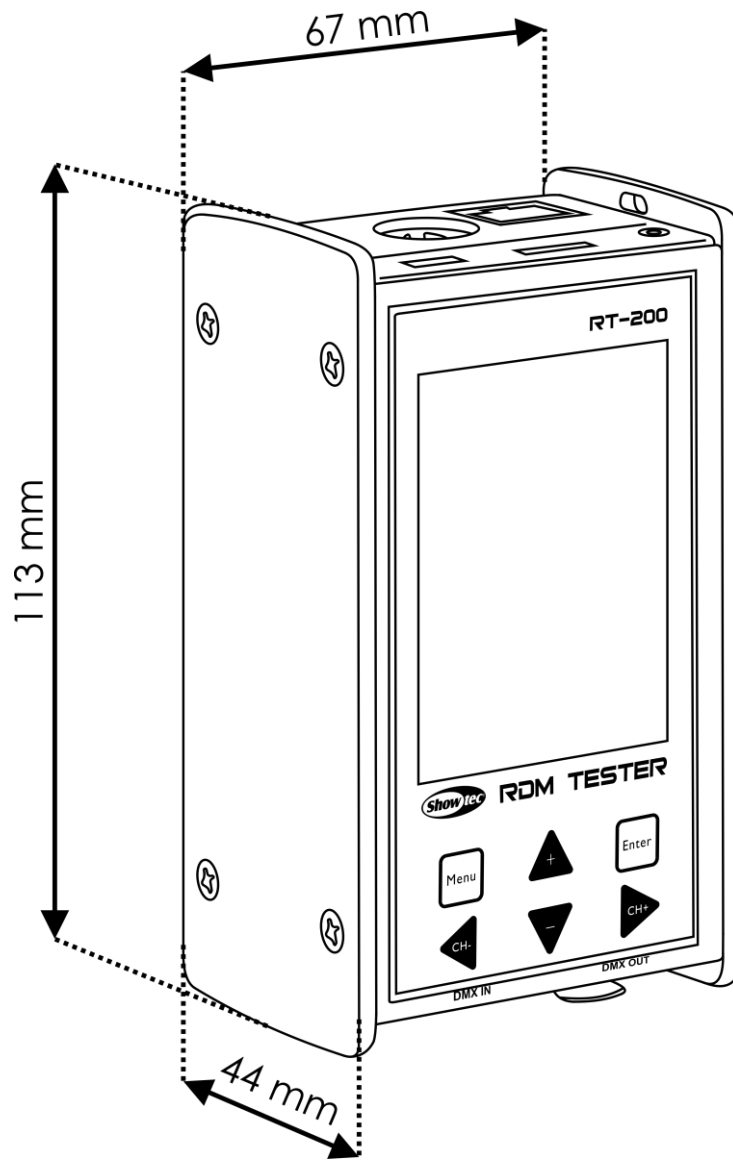
Model:	Showtec RDM Touch
Power supply:	9V DC
USB power consumption:	300mA max.
Dimensions:	67 x 44 x 113 mm (LxWxH)
Weight:	0,4 kg
<b>Details:</b>	
Display:	Full-color LCD
Display resolution:	240 x 320 pixel
Memory:	microSD card
Control protocols:	DMX-512, RDM, MIDI, Art-Net, sACN
DMX electrical standard:	ANSI E1.11 / ANSI E1.20
Connections:	5-pin XLR IN&OUT, RJ45, MIDI, Micro USB B, microSD
Housing:	Metal & flame retardant plastic
Max. ambient temperature $t_a$ :	45°C
Max. housing temperature $t_B$ :	70°C

Design and product specifications are subject to change without prior notice.



Website: [www.Showtec.info](http://www.Showtec.info)  
 Email: [service@highlite.nl](mailto:service@highlite.nl)

## Dimensions







©2017 Showtec