

Mast & Pole Bracket

Product code: E748003

Preface

Thank you for purchasing this Showgear product.

The purpose of this user manual is to provide instructions for the correct and safe use of this product.

Keep the user manual for future reference as it is an integral part of the product. The user manual shall be stored at an easily accessible location.

This user manual contains information concerning:

- Safety instructions
- Intended and non-intended use of the device
- Installation and operation of the device
- Maintenance procedures
- Troubleshooting
- Transport, storage and disposal of the device

Non-observance of the instructions in this user manual may result in serious injuries and damage of property.

©2024 Showgear. All rights reserved.

No part of this document may be copied, published or otherwise reproduced without the prior written consent of Highlite International.

Design and product specifications are subject to change without prior notice.

For the latest version of this document or other language versions, please visit our website www.highlite.com or contact us at service@highlite.com.

Highlite International and its authorized service providers are not liable for any injury, damage, direct or indirect loss, consequential or economic loss or any other loss arising from the use of, or inability to use or reliance on the information contained in this document.

Table of contents

1. Introduction	3
1.1. Before Using the Product.....	3
1.2. Intended Use.....	3
1.3. Text Conventions.....	3
1.4. Symbols and Signal Words.....	4
2. Safety	5
2.1. Warnings and Safety Instructions.....	5
2.2. Requirements for the User.....	6
2.3. Personal Protective Equipment.....	6
3. Description of the Device	7
3.1. Overview.....	7
3.2. Product Specifications.....	8
3.3. Dimensions.....	8
4. Installation	9
4.1. Safety Instructions for Installation.....	9
4.2. Personal Protective Equipment.....	9
4.3. Working Load Limit.....	9
4.4. Mounting of the Device.....	10
4.5. Connecting Multiple Devices.....	11
4.6. Mounting of External Devices.....	12
5. Inspection and Maintenance	13
5.1. Inspection.....	13
5.2. Corrective Maintenance.....	13
5.3. Basic Cleaning Instructions.....	13
6. Deinstallation	14
6.1. Safety Instructions for Deinstallation.....	14
6.2. Instructions for Deinstallation.....	14
7. Transportation and Storage	14
7.1. Instructions for Transportation.....	14
7.2. Storage.....	14
8. Disposal	14

1. Introduction

1.1. Before Using the Product

**Important**

Read and follow the instructions in this user manual before installing, operating or servicing this product.

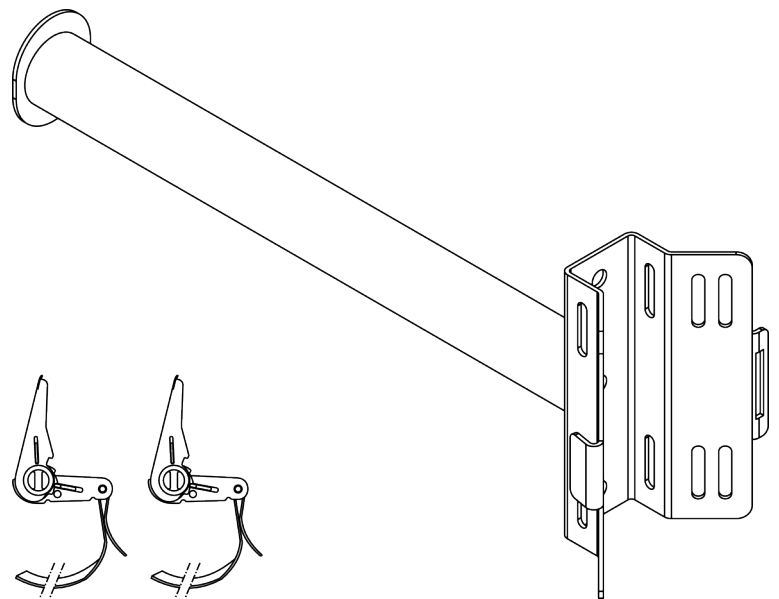
The manufacturer will not accept liability for any resulting damages caused by the non-observance of this manual.

After unpacking, check the contents of the box. If any parts are missing or damaged, contact your Highlite International dealer.

Your shipment includes:

- Showgear Mast & Pole Bracket
- 2 x endless ratchet straps (2 m)
- User manual

Figure 1



1.2. Intended Use

This device is intended for professional use as a connection element in the entertainment industry. It can be installed on upright structures, such as masts, columns, pillars or poles (rounded and angular).

Any other use, not mentioned under intended use, is regarded as non-intended and incorrect use.

1.3. Text Conventions

Throughout the user manual the following text conventions are used:

- References: References to parts of the device are in bold lettering, for example: "turn the **adjustment handle (05)**". References to chapters are hyperlinked
- 0–255: Defines a range of values
- Notes: **Note:** (in bold lettering) is followed by useful information or tips

1.4. Symbols and Signal Words

Safety notes and warnings are indicated throughout the user manual by safety signs.

Always follow the instructions provided in this user manual.

**DANGER**

Indicates an imminently hazardous situation which, if not avoided, will result in death or serious injury.

**WARNING**

Indicates a potentially hazardous situation which, if not avoided, could result in death or serious injury.

**CAUTION**

Indicates a potentially hazardous situation, which, if not avoided, may result in minor or moderate injury.

**Attention**

Indicates important information for the correct operation and use of the product.

**Important**

Read and observe the instructions in this document.

2. Safety



Important
Read and follow the instructions in this user manual before installing, operating or servicing this product.

The manufacturer will not accept liability for any resulting damages caused by the non-observance of this manual.

2.1. Warnings and Safety Instructions



WARNING
Incorrect installation can cause serious injuries and damage of property.

This product may be installed only by instructed or skilled persons.

- Do not exceed the working load limit (WLL) as indicated on the device and in this user manual.
- When the device is used together with other accessories, make sure that the working load limit (WLL) of each component is not exceeded.



WARNING
Do not use the device if it is damaged.

Do not use the device if the device or parts thereof show signs of damage and wear. Before and after every use, examine the device visually for any defects. If any fault is found, mark the device clearly and remove it from service.

- Examine the device for damage, cracks, and corrosion.
- Examine the welds for signs of corrosion, and cracks.



Attention
Correct use of the endless ratchet straps

- Do not use the endless ratchet straps for lifting, suspending or towing.
- Do not use the endless ratchet straps if knotted.
- Never join a cut endless ratchet strap by knotting.
- Never knot endless ratchet straps together.
- Only use endless ratchet straps with a legible label.



Attention
For professional use only
This device must be used only for the purposes it is designed for.

This device is intended for professional use as a connection element in the entertainment industry. Any incorrect use may lead to hazardous situations and result in injuries and material damage.

- Do not use the device on upright structures different from those indicated in this user manual.
- Do not modify the device. Unauthorized modifications to the device will render the warranty void. Such modifications may result in injuries and material damage.
- Use the device only in environments with an ambient temperature between -20 and 60 °C.

2.2. Requirements for the User

**DANGER****This product may not be used by ordinary persons.**

This product may be used by instructed or skilled persons. Installation and maintenance may be carried out by instructed or skilled persons. Service shall be carried out only by skilled persons. Contact your Highlite International dealer for more information.

Instructed persons have been instructed and trained by a skilled person, or are supervised by a skilled person, for specific tasks and work activities associated with the installation, service and maintenance of this product, so that they can identify risks and take precautions to avoid them.

Skilled persons have training or experience, which enables them to recognize risks and avoid hazards associated with the installation, service and maintenance of this product.

Ordinary persons are all persons other than instructed persons and skilled persons. Ordinary persons include not only users of the product but also any other persons that may have access to the device or who may be in the vicinity of the device.

2.3. Personal Protective Equipment

During installation, deinstallation and rigging wear personal protective equipment in compliance with the national and site-specific regulations.

3. Description of the Device

The Showgear Mast & Pole Bracket allows you to easily mount lighting fixtures against a mast or pole. The bracket has a 47,5 cm long steel tube on which objects weighing up to 50 kg can be mounted by using 48–50 mm clamps. Hooks on the side of the bracket make it possible to attach brackets to each other.

3.1. Overview

Figure 2

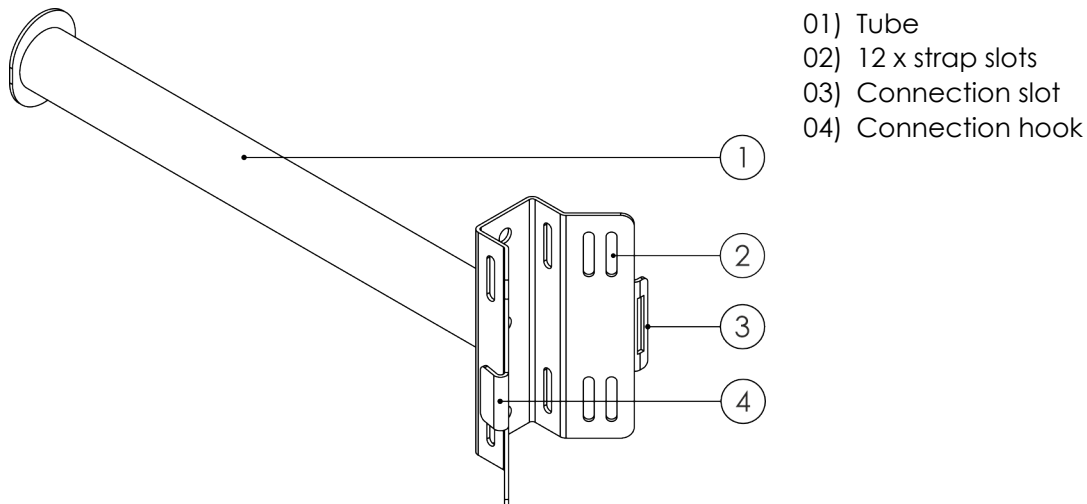
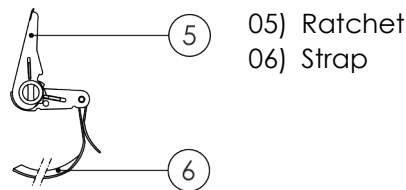


Figure 3



Note:

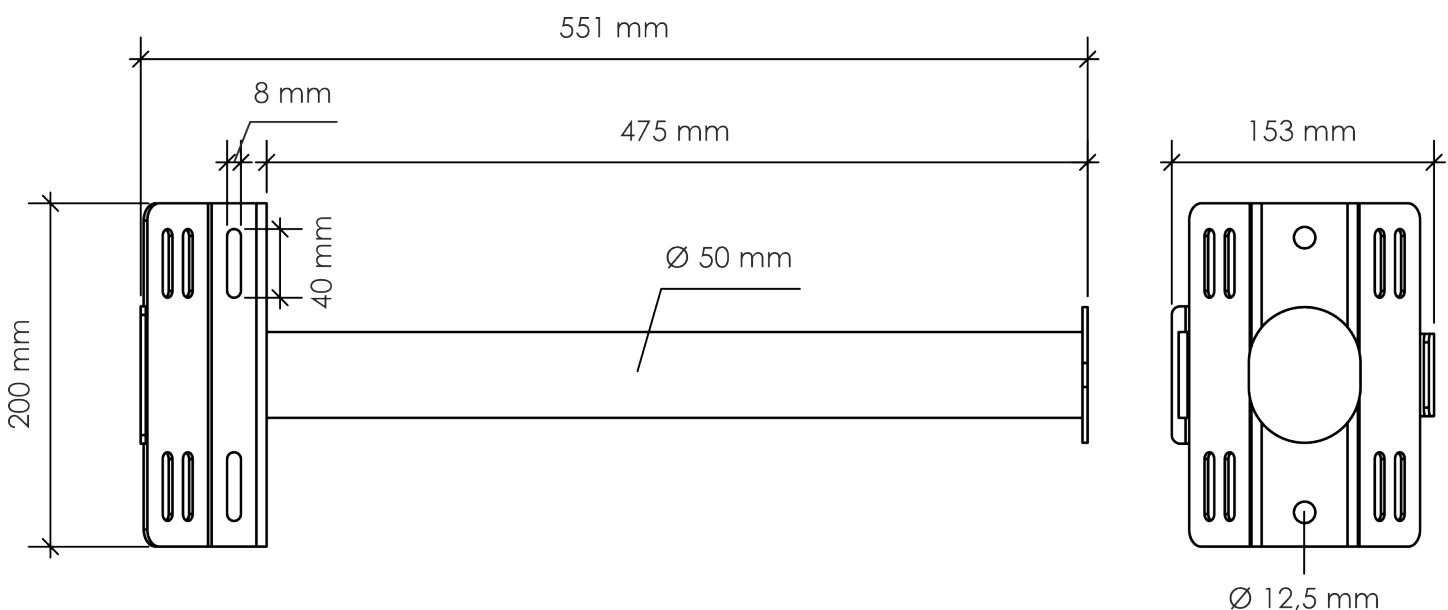
It is possible to use other endless ratchet straps than the supplied ones. Make sure that you use endless ratchet straps:

- That have LC (lashing capacity) equal or higher to the LC of the supplied endless ratchet straps.
- That are made of the same material as the supplied endless ratchet straps.

3.2. Product Specifications

Model:	Mast & Pole Bracket
Mechanical Specifications:	
WLL	50 kg
Material	Steel
Finish	Powder coating
Color	Black
Length	551 mm
Height	200 mm
Width	153 mm
Diameter	50 mm
Weight	1,8 kg
Lashing:	
Type:	Endless ratchet strap
Lashing capacity (LC)	8 daN
Standard hand force (SHF)	8 daN
Standard tension force (STF)	10 daN
Webbing material	Dacron (polyethylene terephthalate, PET)
Strap length	2 m
Maximum elongation	7 %
Included Items:	
Included accessories	2 x Endless ratchet straps
Thermal:	
Ambient temperature t_a	From -20 °C to 60 °C

3.3. Dimensions



4. Installation

4.1. Safety Instructions for Installation

**WARNING**

Incorrect installation can cause serious injuries and damage of property.

Installation must be carried out only by instructed or skilled persons.

Minimum 2 persons are necessary to install the device.

4.2. Personal Protective Equipment

During installation, deinstallation and rigging wear personal protective equipment in compliance with the national and site-specific regulations.

4.3. Working Load Limit

**WARNING**

Do not exceed the working load limit of the device.

The maximum working load of the device is ≤ 50 kg. Do not mount external devices to the Mast & Pole Bracket that exceed the working load limit of the Mast & Pole Bracket.

Make sure that the upright structure can hold the combined weight of all mounted devices and accessories. Consider any dynamic forces in the calculations, if applicable.

4.4. Mounting of the Device



CAUTION
Restrict the access under the work area during installation.

Minimum 2 persons are necessary to install the device.

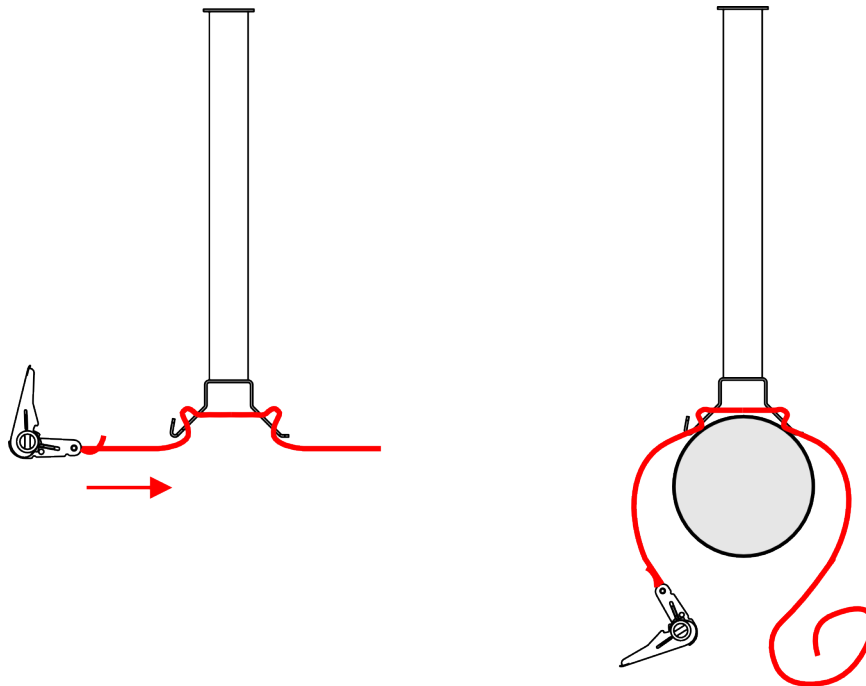
Do not apply higher force to the ratchet than the maximum hand force marked on the label of the endless ratchet strap. Do not use mechanical aids such as levers, bars etc. as extensions, unless they are part of the tensioning device.

The device can be installed on trees and upright structures, such as columns, pillars or poles (rounded and angular).

To mount the device follow the steps below:

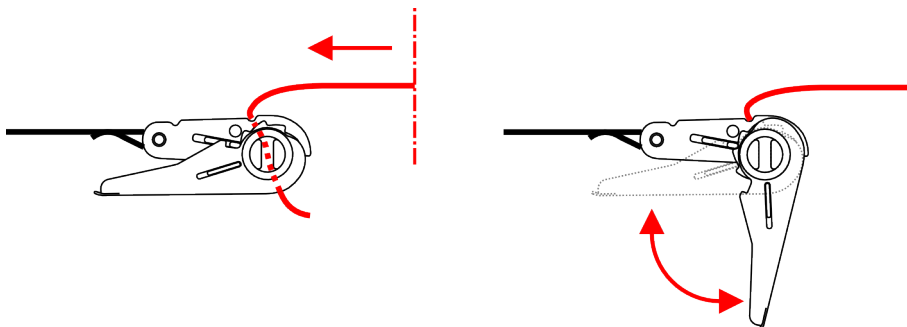
- 01) Thread the **straps (06)** of the 2 endless ratchet straps supplied with the device through the **strap slots (02)**.
Make sure that the **straps (06)** are not twisted.
- 02) Put the device against a tree or an upright structure at the height at which you want to mount it.

Figure 5



- 03) Thread the open ends of the **straps (06)** of the 2 ratchet straps through the **ratchets (05)**.
- 04) Repeatedly open and close the **ratchets (05)** to tighten the endless ratchet straps around the tree or the upright structure. Make sure that the endless ratchet straps are not tensioned too much.

Figure 6

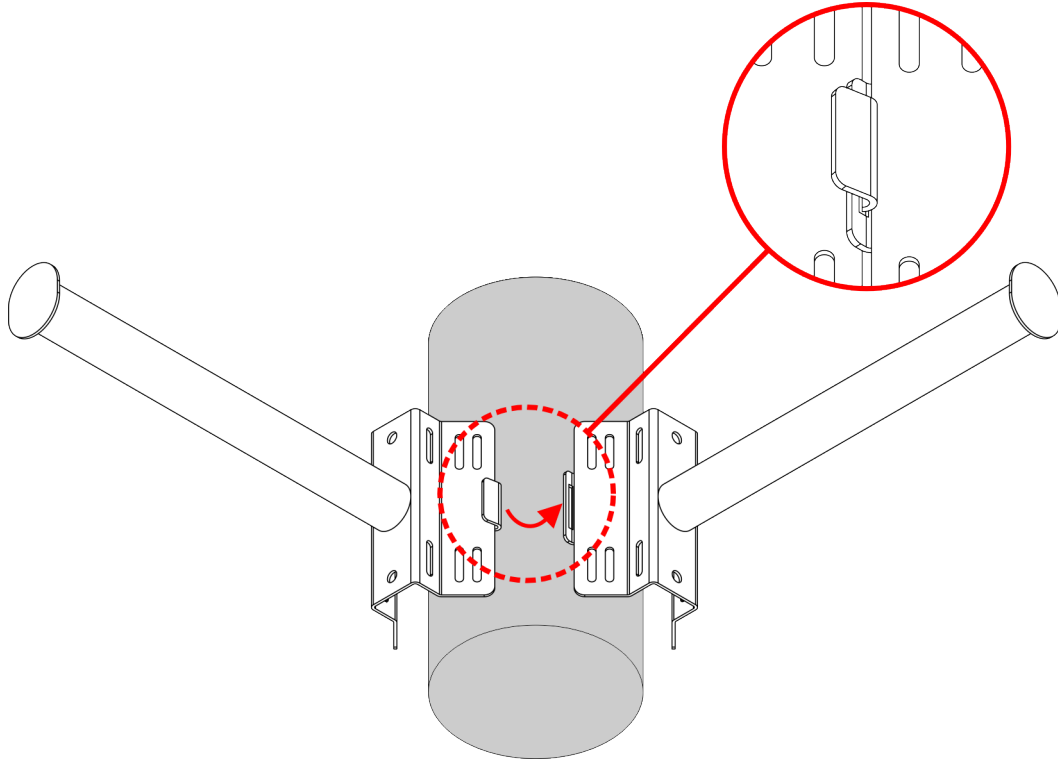


4.5. Connecting Multiple Devices

To connect multiple devices to each other, follow the steps below:

- 01) Make sure that there are no external devices mounted to the **tubes (01)** of the devices.
- 02) Align 2 devices next to each other.
- 03) Insert the **connection hook (04)** of the 1st device into the **connection slot (03)** of the 2nd device.
- 04) Repeat steps 2–3 to connect more devices next each other, if necessary.

Figure 7



Note:

The Mast & Pole Bracket is compatible with other Showgear products and can be connected to them. Contact your Highlite International dealer for more information. This is a list of the compatible Showgear products:

- [E748001](#) Tree & Pole Bracket MKII
- [E748002](#) Tree Bracket
- [E748004](#) Mast Bracket

4.6. Mounting of External Devices



WARNING
Do not exceed the working load limit of the device.

The maximum working load of the device is ≤ 50 kg. Do not mount external devices to the Mast & Pole Bracket that exceed the working load limit of the Mast & Pole Bracket.

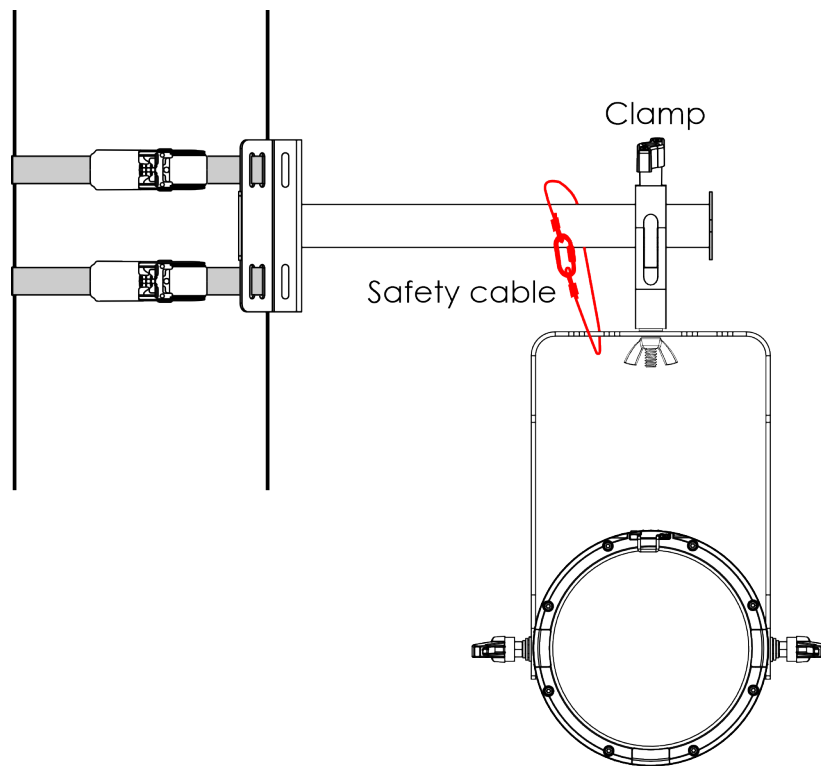
Make sure that the tree or the upright structure can hold the combined weight of all mounted devices and accessories. Consider any dynamic forces in the calculations, if applicable.

An external device, e.g. a luminaire, can be mounted onto the device with a clamp.

To mount an external device, follow the steps below:

- 01) Use a clamp to attach the external device to the **tube (02)**. Make sure that the external device cannot move freely.
- 02) Secure the external device with a secondary suspension, for example a safety cable. Make sure that the secondary suspension can hold 10 times the weight of the external device.

Figure 8



5. Inspection and Maintenance

5.1. Inspection



Attention
Inspect the device visually for any defects.

Before and after every use, examine the device visually for any defects. During use, inspect the device at regular intervals according to the inspection schedule established for the site.

If any fault is found, mark the device clearly and remove it from service.

- Examine the device for damage, cracks, and corrosion.
- Examine the welds for signs of corrosion, and cracks.

The device is supplied with endless ratchet straps.

- Examine the endless ratchet straps for signs of wear. Do not use the endless ratchet straps if there are tears, cuts, nicks and breaks in the webbing and the retaining stitches.
- Examine the ratchet for deformations, splits, signs of wear, and signs of corrosion.

5.2. Corrective Maintenance

- Do not modify the device.
- Refer repairs and servicing to skilled persons. Contact your Highlite International dealer for more information.

5.3. Basic Cleaning Instructions

- Use a damp cloth to clean the ratchet.
- Do not use alcohol, solvents or abrasive agents.
- Wash the straps in water and hang them to dry at a well ventilated place.

6. Deinstallation

6.1. Safety Instructions for Deinstallation

**WARNING**

Incorrect deinstallation can cause serious injuries and damage of property.

Deinstallation must be carried out only by instructed or skilled persons.

**CAUTION**

Restrict the access under the work area during deinstallation.

Minimum 2 persons are necessary to deinstall the device.

6.2. Instructions for Deinstallation

- 01) Deinstall the external device.
- 02) Slightly open one of the **ratchets (05)** and pull on the spring-loaded clip to loosen the endless ratchet strap.
- 03) Take out the **strap (06)** from the **ratchet (05)**.
- 04) Repeat steps 2–3 to loosen and open the other endless ratchet strap.
- 05) Remove the device from the tree or the upright structure.
- 06) Remove the 2 endless ratchet straps from the device.

7. Transportation and Storage

7.1. Instructions for Transportation

Make sure that appropriate measures are taken to prevent damage to the device during transportation.

7.2. Storage

- Inspect the device for defects before storing (see [5.1. Inspection](#) on page 13).
- Clean the device before storing (see [5.3. Basic Cleaning Instructions](#) on page 13).
- Store the device in a dry, ventilated environment to avoid corrosion.

8. Disposal

After the device is removed from service it can be disposed of as scrap.

**SHOW
GEAR**