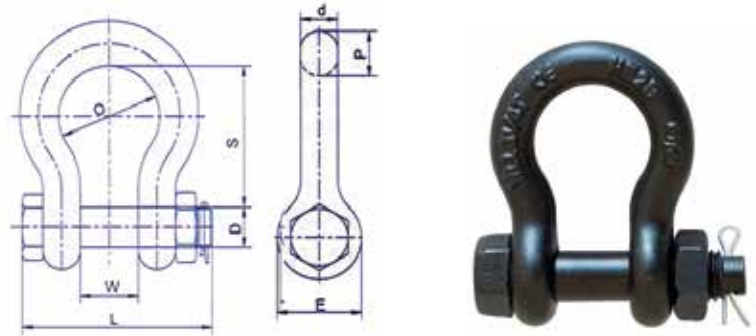


BOW SHACKLE WITH SAFETY BOLT

MAIN FEATURES:

- Material: Grade 6
- Safety factor: MBL equals 6 x WLL
- Standard: US Fed. Spec. RR-C-271
- Finish: Matt black
- Certification: 2.1 2.2

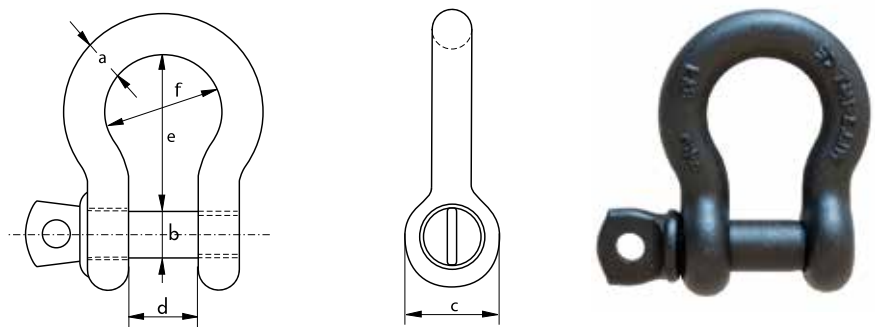


ARTICLE CODE	WLL (t)	W (mm)	D X d (mm)	E X P (mm)	S (mm)	L (mm)	O (mm)	WEIGHT (kg)	PU QUANTITY
HMB01000ZEN	1	17	11,2 x 10	25 x 10	36,5	56,6	26	0,17	150
HMB02000ZEN	2	20	16 x 13	30 x 13	48	75,5	33	0,35	75
HMB03250ZEN	3,25	27	19 x 16	40 x 16	60	92	43	0,67	40
HMB04750ZEN	4,75	32	22 x 19	48 x 19	71	106	51	1,1	20

BOW SHACKLE WITH SCREW COLLAR PIN

MAIN FEATURES:

- Material: Grade 6
- Safety factor: MBL equals 6 x WLL
- Standard: US Fed. Spec. RR-C-271
- Finish: Matt black
- Certification: 2.1 2.2



ART.NR	WLL (T)	A (MM)	B (MM)	C (MM)	D (MM)	E (MM)	F (MM)	WEIGHT (KG)
HBB00330ZEN	0,33	5	6	15	9,5	22	16	0,02
HBB00500ZEN	0,5	6	8	18	12	28	19	0,07
HBB00750ZEN	0,75	8	10	22	13,5	32	21	0,13
HBB01000ZEN	1	10	11	26	17	35	25	0,17
HBB01500ZEN	1,5	11	13	28	19	42	29	0,25
HBB02000ZEN	2	13	16	32	20	47	32	0,44
HBB03250ZEN	3,25	16	19	39	27	60	43	0,79
HBB04750ZEN	4,75	19	22	47	32	71	50	1,26