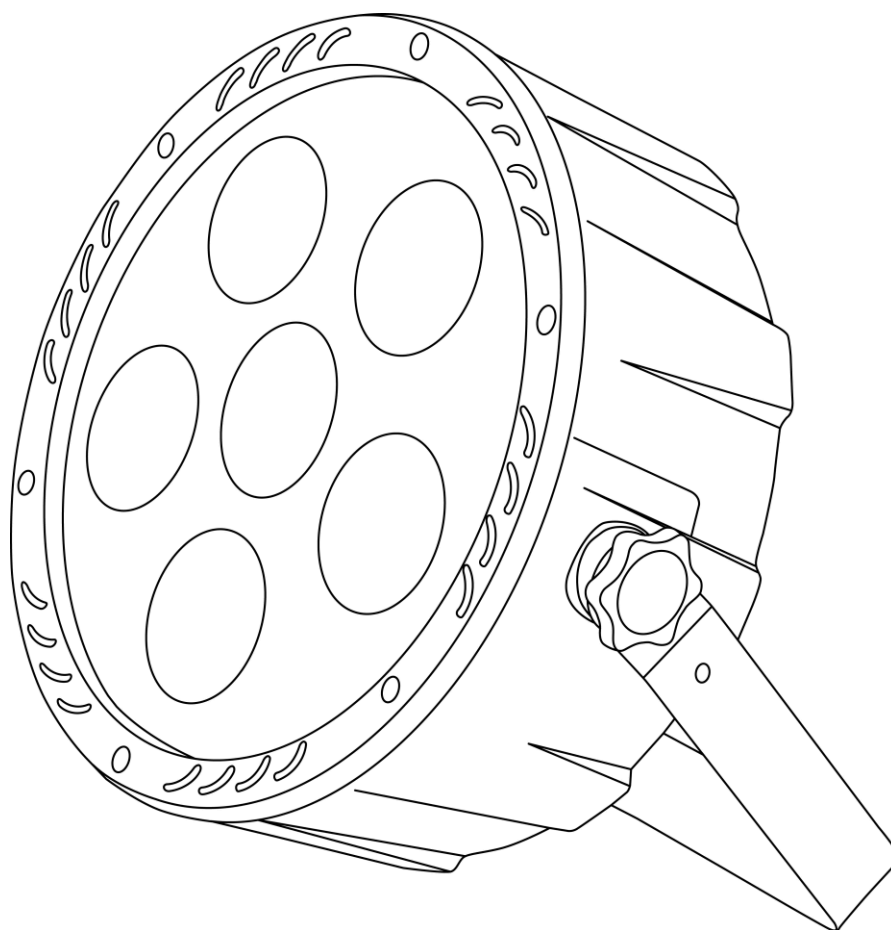


PAR-180

6 x 30W COB PAR LIGHT (RGB)

Item ref: 154.038UK

User Manual



Caution: Please read this manual carefully before operating
Damage caused by misuse is not covered by the warranty

Introduction

Thank you for your purchase of the QTX PAR-180 DMX PAR light. This fixture has been designed to provide powerful and colourful light coverage to a wide area for stage, theatre and corporate events. Please read and keep this manual for reference to gain the best results from this product and avoid damage through misuse.

SAFETY SYMBOL AND MESSAGE CONVENTIONS



CAUTION
RISK OF ELECTRIC SHOCK
DO NOT OPEN

AVIS
RISQUE DE CHOC ELECTRIQUE
NE PAS OUVRIR



This symbol indicates that dangerous voltage constituting a risk of electric shock is present within this unit



This symbol indicates that there are important operating and maintenance instructions in the literature accompanying this unit.

Warning

To prevent the risk of fire or electric shock, do not expose any components to moisture. If liquids are spilled on the housing, stop using immediately, allow unit to dry out and have checked by qualified personnel before further use. Avoid impact, extreme pressure or heavy vibration to the case. No user serviceable parts inside – Do not open the case – refer all servicing to qualified service personnel.

Safety

Check for correct mains voltage and condition of IEC lead before connecting to a power outlet. Do not allow any foreign objects to enter the case or connectors.

Placement

- Keep away from damp or dusty environments
- Use the included tripod stand for installation onto a stable surface
- Ensure adequate air-flow around the fixture housings
- Ensure adequate access to controls and connections

Cleaning

- Use a soft cloth with a neutral detergent to clean the casing as required
- Use a vacuum cleaner to clear ventilation grilles of any dust or debris build-ups
- Do not use strong solvents for cleaning the unit

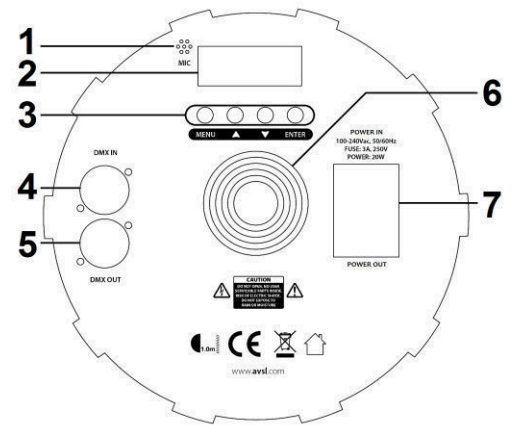
In the box

Please open the package carefully and check that all contents are present and in good condition. Contact your retailer if any part is missing or broken.

- PAR-180 DMX PAR light
- Dual mounting bracket
- IR remote control
- IEC mains lead(s)

Rear panel

1. Internal microphone (for sound activation)
2. LED display
3. Control panel
4. DMX in XLR
5. DMX out XLR
6. Cooling fan vent
7. IEC power inlet, outlet & fuse holder



Onboard Menu

Press Menu	Press Up/Down	Press Enter
dxxx	d00 1 - d5 12	DMX start address setting
Chxx	Ch03 or Ch07	DMX channel mode - 3CH or 7CH
Soxx - Ruxx	So0 1	Sound activated colour change
	So02	Sound activated colour strobe
	Ru0 1	Static red
	Ru02	Static green
	Ru03	Static blue
	Ru04	Static yellow
	Ru05	Static cyan
	Ru06	Static magenta
	Ru07	Static white
	Ru08	Colour change (red and blue only)
	Ru09	Colour change
Ru 10	Colour Scroll	
Stxx	St00	MUST BE St00 TO AVOID STROBE EFFECT ON STATIC COLOUR SETTINGS
	St0 1 - St 16	Strobe speed (slow to fast) for static colour settings
Snxx	Sn00 - Sn 16	Sound sensitivity setting (low to high) on So0 1 and So02
SPxx	SP0 1 - SP 16	Speed setting (slow to fast) on Ru08, Ru09 and Ru 10
rxxx	r000 - r255	Red 0 – 100% Dimmer
gxxx	g000 - g255	Green 0 – 100% Dimmer
bxxx	b000 - b255	Blue 0 – 100% Dimmer
nxxx	n000 - u255	Master dimmer 0 – 100% for all programs

Installation

The PAR-180 is supplied with a dual hanging bracket, which can also be used as a free-standing support.

When installing the fixture, ensure all fixings are secure, controls and connections are accessible and do not obstruct the rear cooling fan vent.

Operation

Static colour

To select one of the preset static colours, press MENU until the display shows **50xx** or **R0xx** (where "***" is a number).

Press the UP/DOWN buttons until **R001** to **R007** is displayed and press ENTER to select one of the static colours listed in the onboard menu section.

Auto programs

To select auto colour change or scroll, press MENU until the display shows **50**** or **R0**** (where "***" is a number). Press the UP/DOWN buttons until **R008** or **R009** is displayed and press ENTER to select. Press the MENU button again until the display shows **SP01** - **SP16** enters the speed adjustment for the program, which can be set using the UP/DOWN buttons.

Strobe setting

In static colour mode, pressing MENU until **50**** is displayed (where "***" is a number) enters the strobe mode. **5000** is no strobe, whereas **5001** - **5016** strobe speeds can be set using the UP/DOWN buttons. The strobe effect will flash the selected static colour.

Sound-to-light

To select the sound-to-light function, press MENU until the display shows **50xx** or **R0xx** (where "xx" is a number), press the UP/DOWN buttons until **5001** or **5002** is displayed and press ENTER to select. **5001** is a sound activated colour change and **5002** is a sound activated colour changing strobe effect.

Master/slave mode

To use in Master/Slave mode, connect PAR-180 units with XLR cables from DMX out to DMX in as a daisy chain. On the Master unit (first in the daisy chain), using the 4 control buttons on the back panel, select your chosen program. All subsequent units in the daisy chain should be set to DMX address **d001** to set them up as Slave units. These will then mimic the output of the Master unit.

DMX mode

To control the fixture via a DMX controller, simply connect the DMX signal source (controller) to the 'DMX in' of the unit using a balanced XLR lead. Additional fixtures can be controlled by the same DMX signal by connecting an XLR cable from DMX out of the first unit to DMX in of the second unit, DMX out from the second unit to DMX in of the third unit and so on... For long daisy chains, it is advised to use a DMX terminator plug on DMX out of the last fixture.

Press the UP/DOWN buttons to set the DMX start address **d001** - **d512**

DMX 3-channel mode

Channel	DMX Value	Function
CH1	001 - 255	Red 0-100%
CH2	001 - 255	Green 0-100%
CH3	001 - 255	Blue 0-100%

DMX 7-channel mode

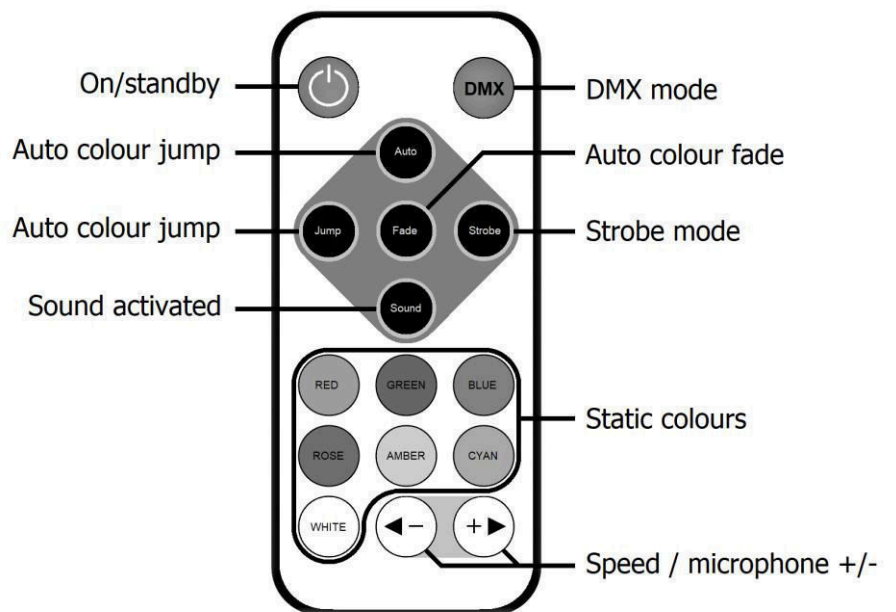
Channel	DMX Value	Function
CH1	001 - 255	Red 0-100%
CH2	001 - 255	Green 0-100%
CH3	001 - 255	Blue 0-100%
CH4	001 - 255	Master dimming for CH1, CH2 & CH3 (0-100%)
CH5	001 - 050	No Function
	051 - 100	Colour Jump
	101 - 150	Colour Fade in/out
	151 - 200	Colour Scroll
201 - 255	Sound activation	
CH6	001 - 255	Speed Control for CH5 Auto programs
CH7	001 - 255	Strobe (slow to fast)

Remote control

The PAR-180 is supplied with an I.R. remote control for quick access to most of the basic functions of the fixture.

This must be aimed at the front of the fixture where there is a remote receiver and has a maximum range of approximately 4m.

Controls are listed on the layout drawing opposite



Specifications

Power supply	100-240Vac, 50/60Hz (IEC)
Power consumption	200W max.
Fuse rating	3A
Illuminance	1220lux @ 2m
Beam angle	60°
Projection distance	15m
LED: quantity	6 x 30W RGB COB (chip-on-board)
DMX channels	3 or 7 channels
Dimensions	100 x 250mmØ
Weight	1.5kg
LED: safety standard	BSEN62471:2008

Troubleshooting

No power (mains)	Check mains voltage is correct and outlet is switched on
	Check IEC lead and fuse (if fuse continually blows, refer to your dealer)
No LED display	Press any control panel button and check LED setting in menu
No light output	Check control panel mode settings
	Check DMX settings from controller (dimmer levels, blackout etc.)
No strobe output	Check strobe settings on control panel or from DMX controller
Unresponsive to DMX	Check that unit is in DMX mode
	Check DMX controller is not set to black out
	Check DMX controller is on correct fixture/page
	Check master dimmer value
	Check correct DMX address is set
	Check DMX connection and leads



This product is classed as Electrical or Electronic equipment and should not be disposed with other household or commercial waste at the end of its useful life. The goods must be disposed of according to your local council guidelines.

Errors and omissions excepted.

Copyright© 2021 AVSL Group Ltd, Unit 2 Bridgewater Park,
Taylor Road, Trafford Park, Manchester. M41 7JQ.

AVSL (Europe) Ltd, Unit 3D North Point House,
North Point Bus. Park, New Mallow Road, Cork, Ireland.