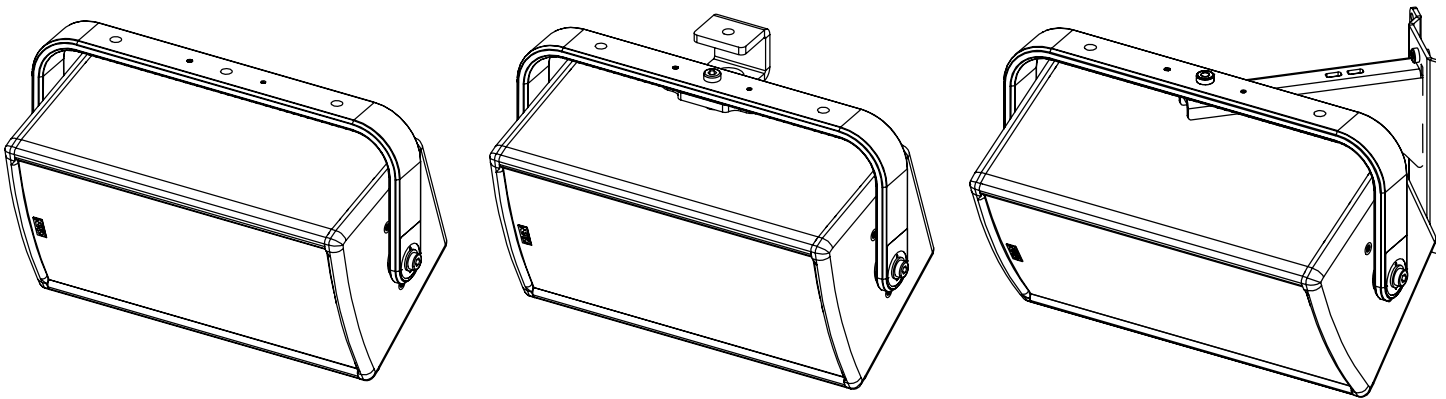
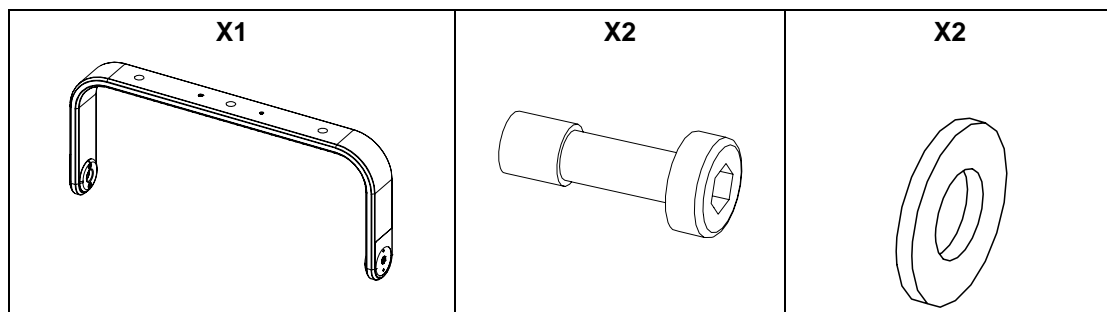


## Horizontal bracket 365mm

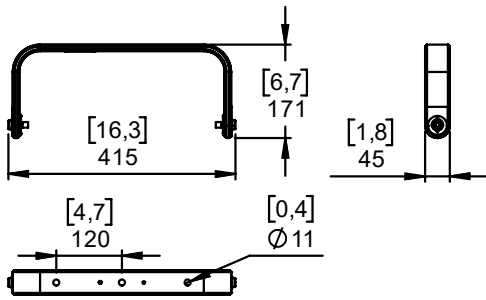


### Contents:



**Weight: 1 kg / 2.2 lb**

## Dimensions:



## Safety

For permanent installation, use the provided thread lock coated screws.

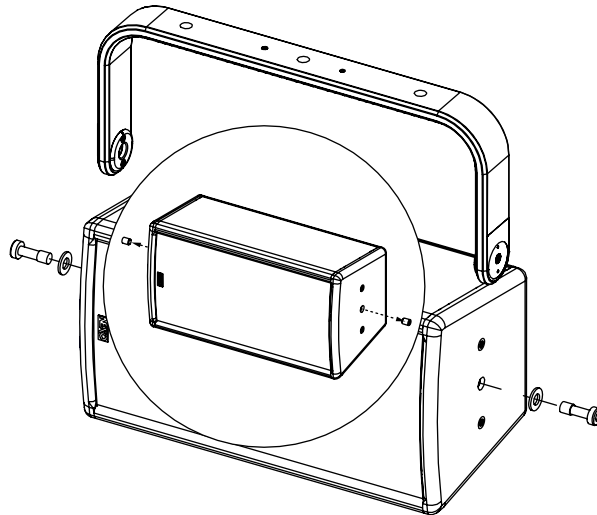
Please, select screws and mounting location supporting 4 times the system weight.

Inspect bolted assemblies periodically.

## Use:

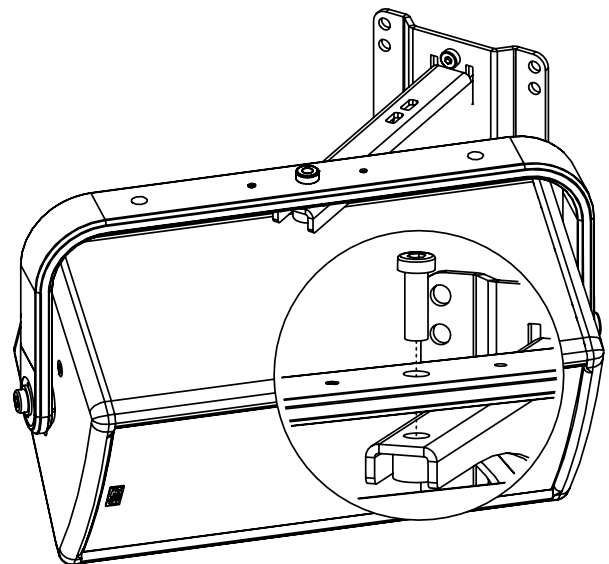
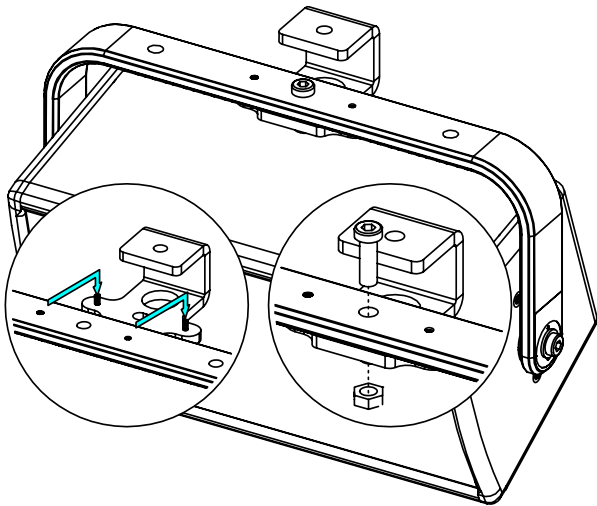
Remove the M10 inserts from each side.

Place HBRK365 on ePS6, use only fasteners provided. Tight properly.



Place on CLADAPT, use the 2 guides. Tight with the fasteners provided with CLADAPT.

Place on WM200. Tight with the screw provided with WM200.



- NEXO cannot accept responsibility for accidents caused by any factor other than defects in this product itself.
- Please check the web site [nexo-sa.com](http://nexo-sa.com) for the latest update.

# NEXO

[nexo-sa.com](http://nexo-sa.com)

ZA du Pre de la Dame Jeanne  
60128 PLAILLY - France

- Read this document before using.
- Keep this document.
- Observe all warnings and cautions.

