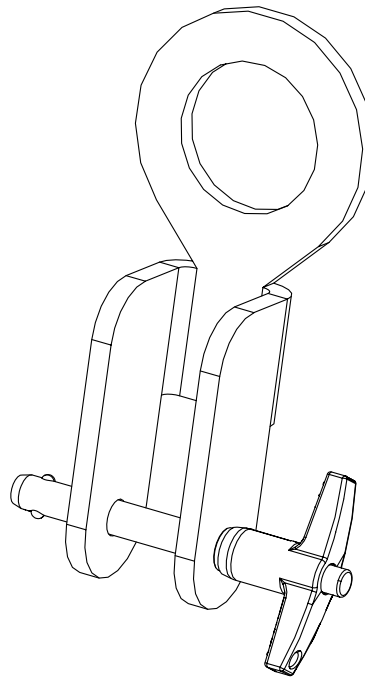
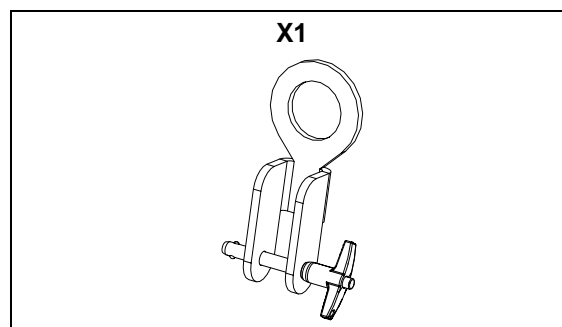


Lifting Ring



Contents:



Weight: 0.35 kg / 0.8 lb

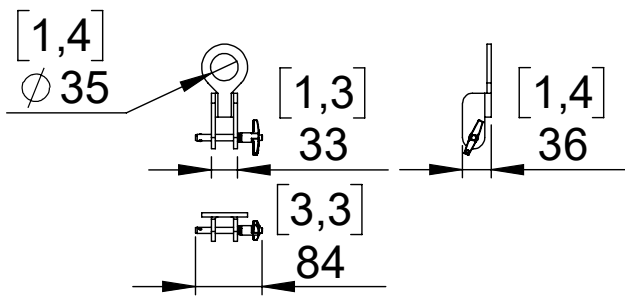


nexo-sa.com
ZA du Pre de la Dame Jeanne
60128 PLAILLY - France

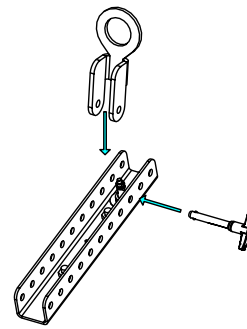
- Read this document before using.
- Keep this document.
- Observe all warnings and cautions.



Dimensions:



Assembly:



Procedure

- Connect VNT-XHBRK to VNT-TTC or GMT-LBPADPT by inserting 8x45 quick release pin in required holes for proper vertical aiming;
- Ensure Lift ring is properly locked ;
- Lift and position assembly, lock and secure VNT-XHBRK on rigging point;

Use:

With GMT-LBUMP / GMT-LBPADPT (GEOM6)	With VNT-TTC (PS series – GEOS12)	With SSBK8/10/15 (PS series)

- NEXO cannot accept responsibility for accidents caused by any factor other than defects in this product itself.
- Please check the web site nexo-sa.com for the latest update.