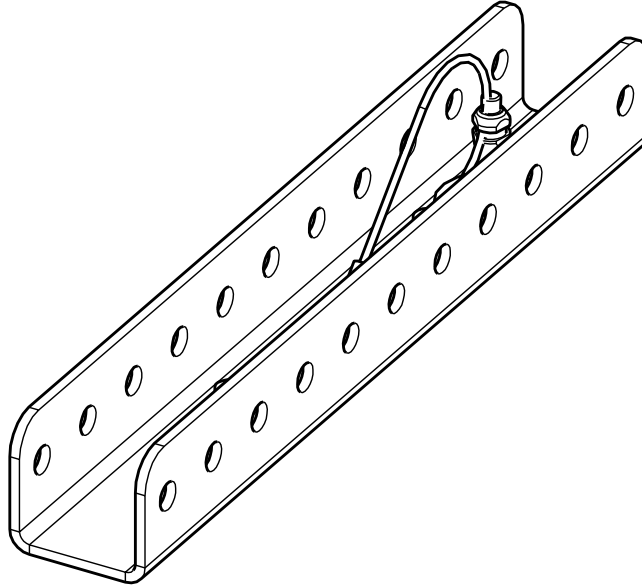
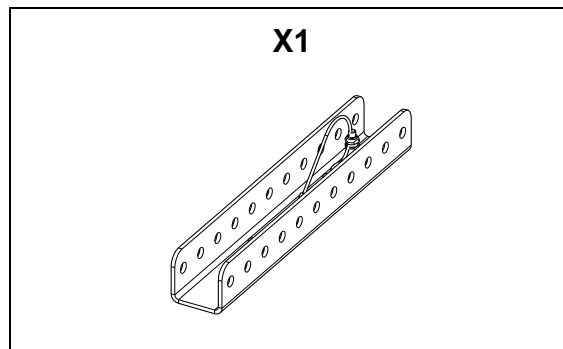


Angle Adapter U Bracket



Contents:



Weight: 1.8 kg / 4 lb

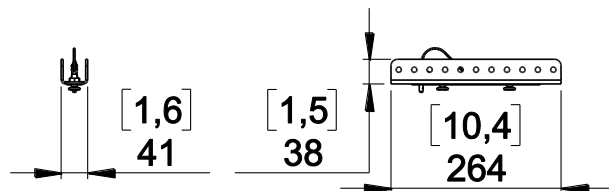


nexo-sa.com
ZA du Pre de la Dame Jeanne
60128 PLAILLY - France

- Read this document before using.
- Keep this document.
- Observe all warnings and cautions.

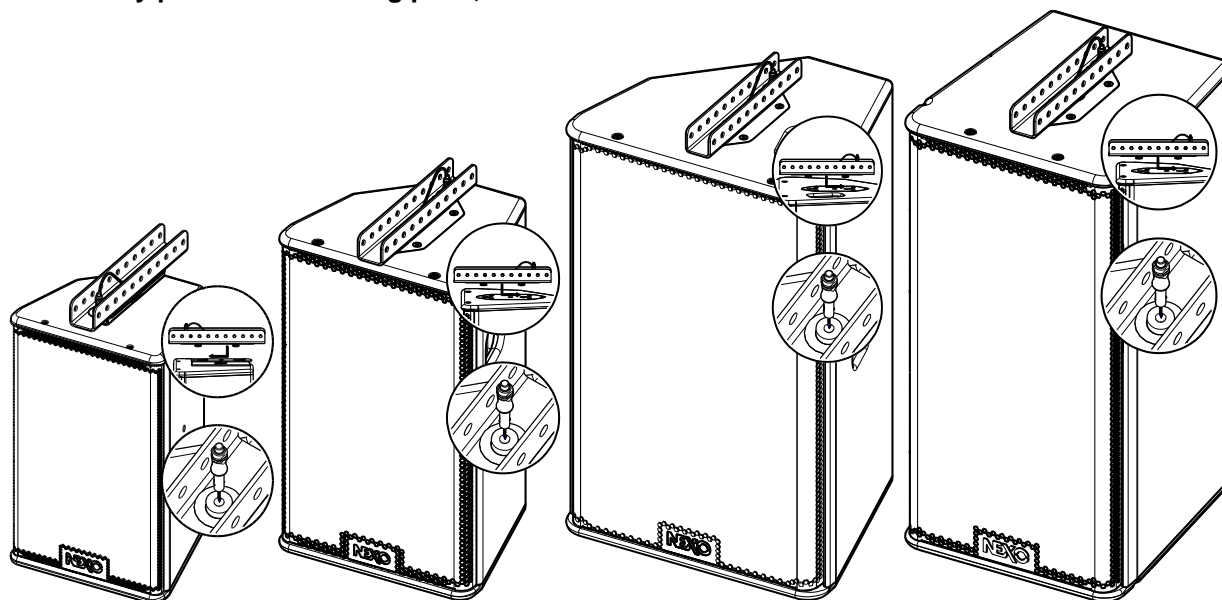


Dimensions:

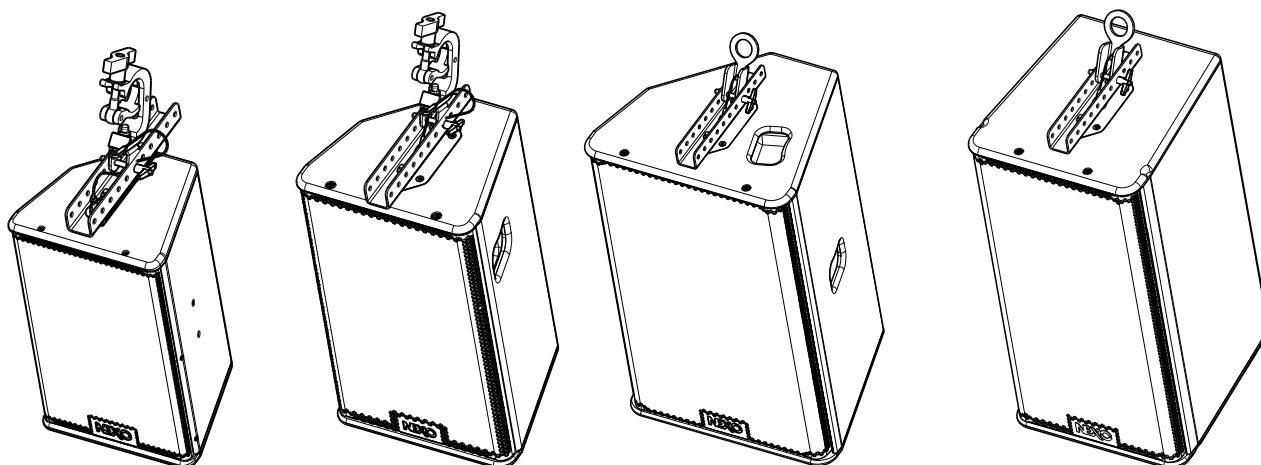


Assembly with PSseries or GEOS12:

- Slide VNT-TTC into connecting plate oblong holes;
- Lock safety pin into connecting plate;



Use with VNT-TCBRK or VNT-XHBRK:



- NEXO cannot accept responsibility for accidents caused by any factor other than defects in this product itself.
- Please check the web site nexo-sa.com for the latest update.

NEXO

nexo-sa.com
ZA du Pre de la Dame Jeanne
60128 PLAILLY - France

- Read this document before using.
- Keep this document.
- Observe all warnings and cautions.

