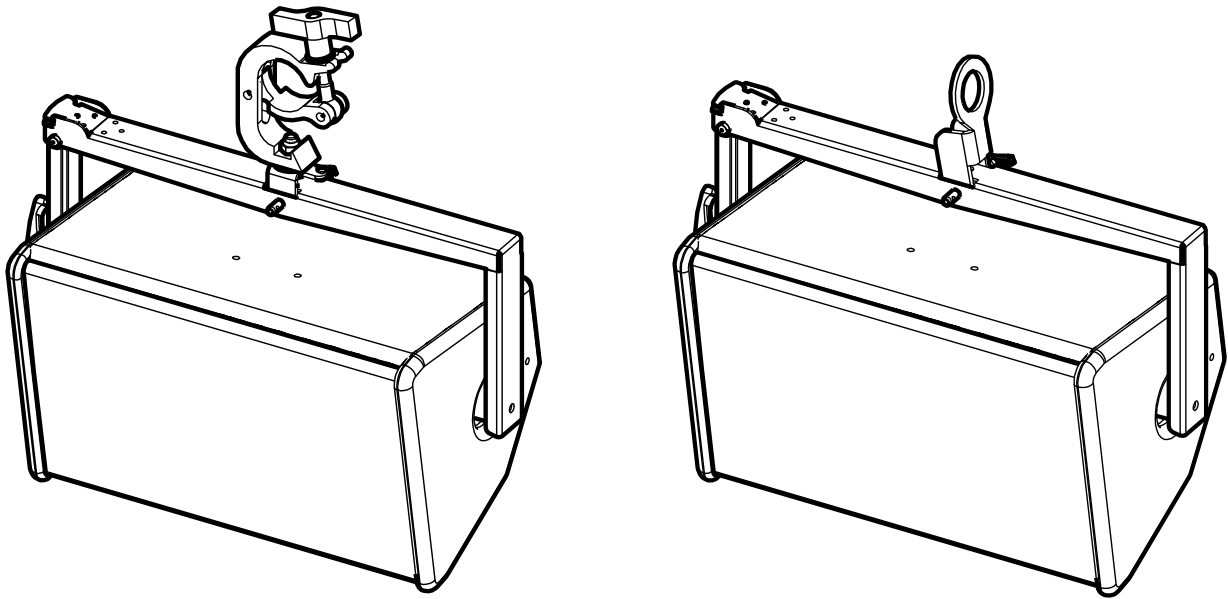
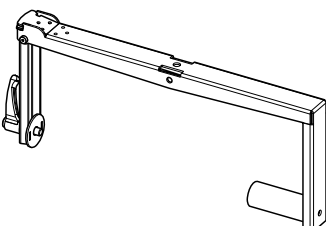
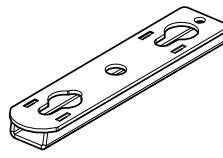



### PS8 Touring Cradle

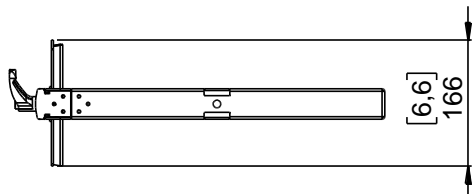
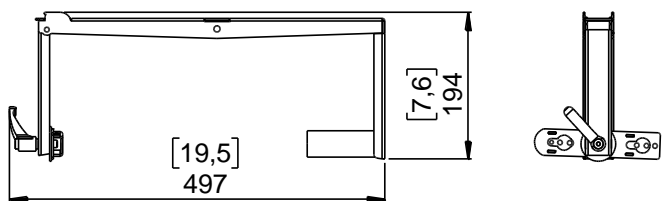


#### Contents :

<p>X1</p> 	<p>X1</p> 	<p>X2</p> <p>VXTCX 5x25</p> 
---	---	---

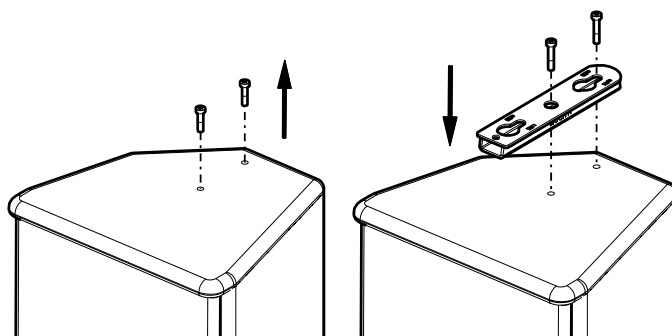
Weight: 1.8 kg / 4 lb

## Dimensions :

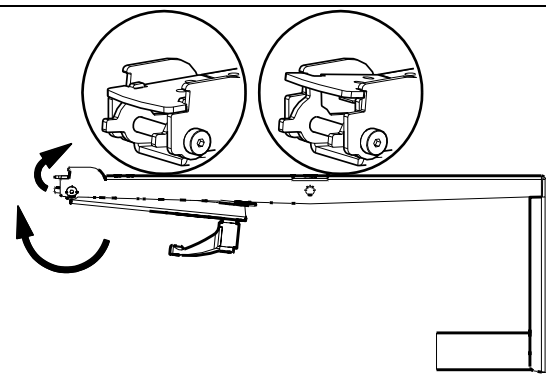


## Use :

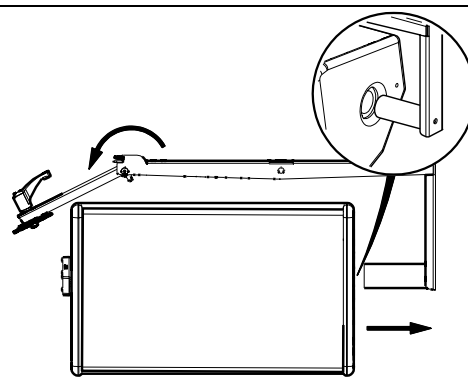
- Remove the 2 screws (M5x20 Torx 25);
  - Fasten the part with the 2 provided screws;
- WARNING:** Use only provided screws (thread lock coated or use Loctite 243).



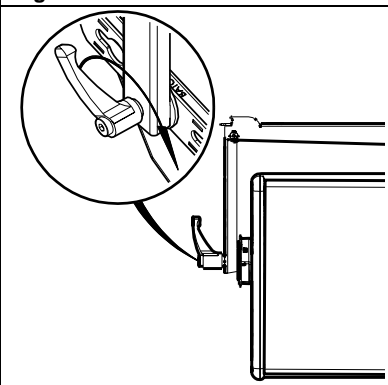
### Release the lock and fold out the arm.



### Insert PS8 and fold down the arm.



### Tighten with the lever.



- **NEXO** cannot accept responsibility for accidents caused by any factor other than defects in this product itself.
- Please check the web site [nexo-sa.com](http://nexo-sa.com) for the latest update.

# NEXO

nexo-sa.com  
ZA du Pre de la Dame Jeanne  
60128 PLAILLY - France

- Read this document before using.
- Keep this document.
- Observe all warnings and cautions.

