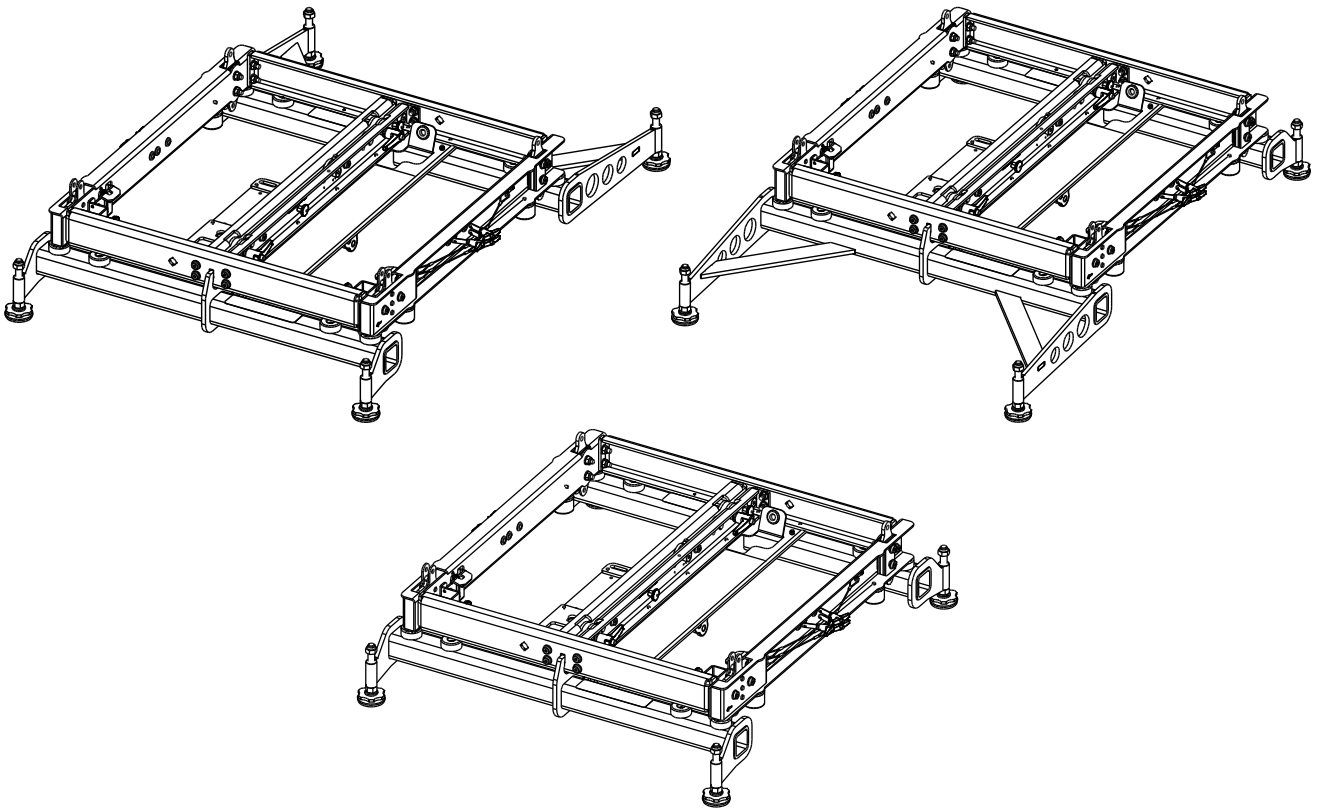
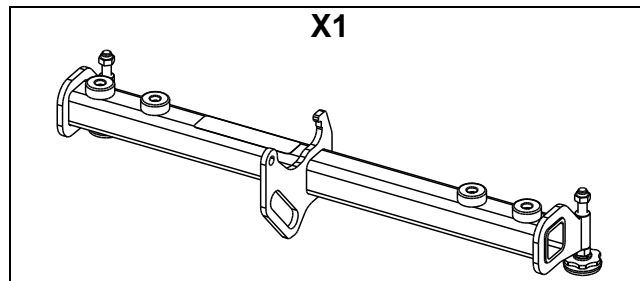


VNI/VNT-BUMPM10 / VNI/VNT-BUMPM12

Stacking extension (Short)

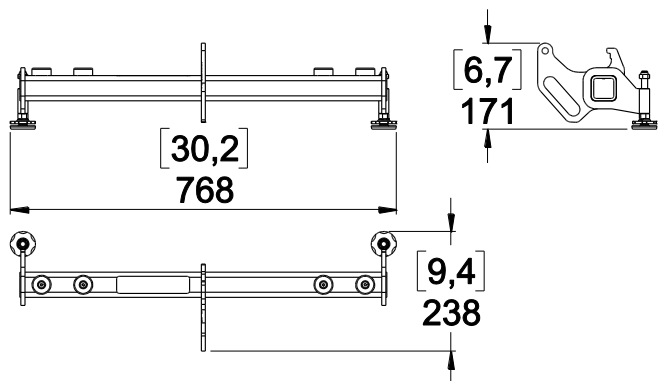


Contents:



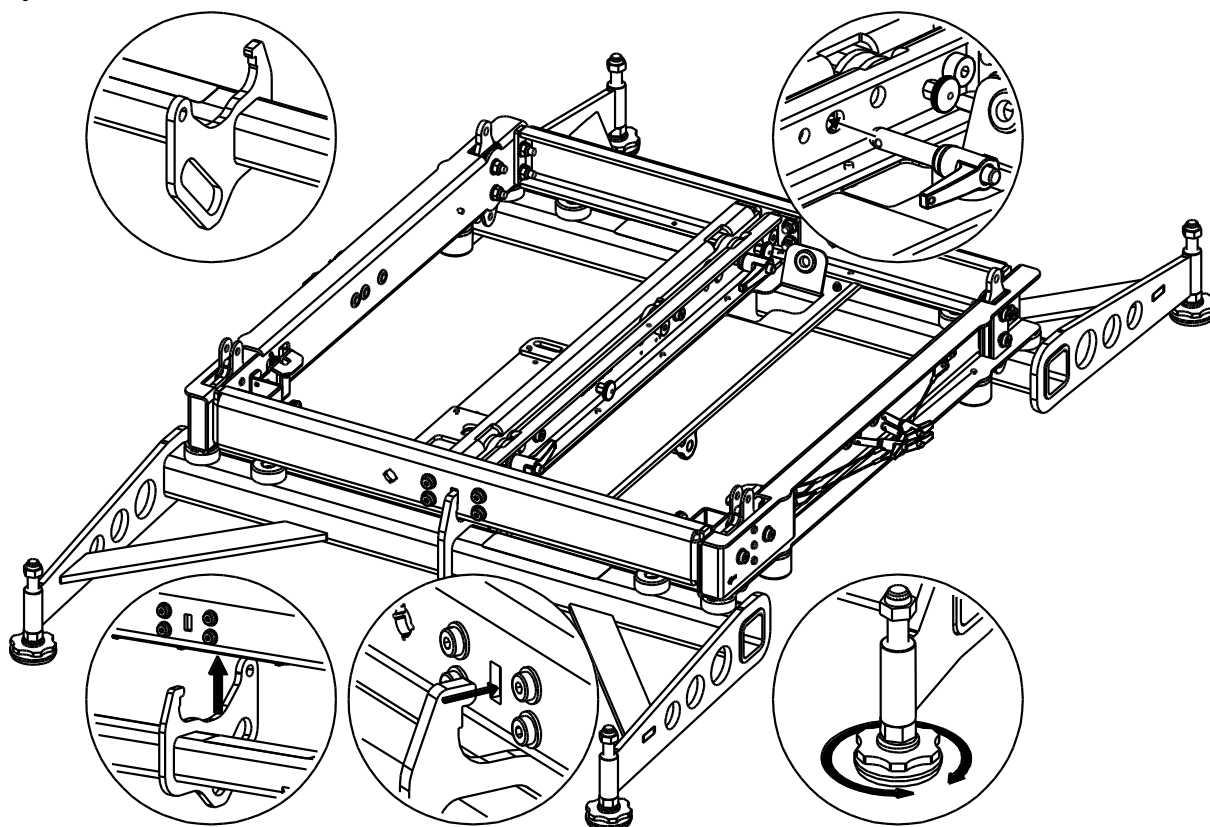
Weight: 7 kg / 15.4 lb

Dimensions:



Use:

- You find an integrated handle on GSTKM10M12S for its manipulation.
- GSTKM10M12S can be associated with the GSTKM10M12L.
- Place GSTKM10M12S by the bottom and fit the guide into the slot on the BUMPM10/BUMPM12.
- Lock with the quick release pin *BL1240* presents on the BUMPM10/BUMPM12.
- Proceed in the same way for the other side.
- Adjust feet.



- NEXO cannot accept responsibility for accidents caused by any factor other than defects in this product itself.
- Please check the web site nexo-sa.com for the latest update.

NEXO

nexo-sa.com

ZA du Pre de la Dame Jeanne
60128 PLAILLY - France

- Read this document before using.
- Keep this document.
- Observe all warnings and cautions.

