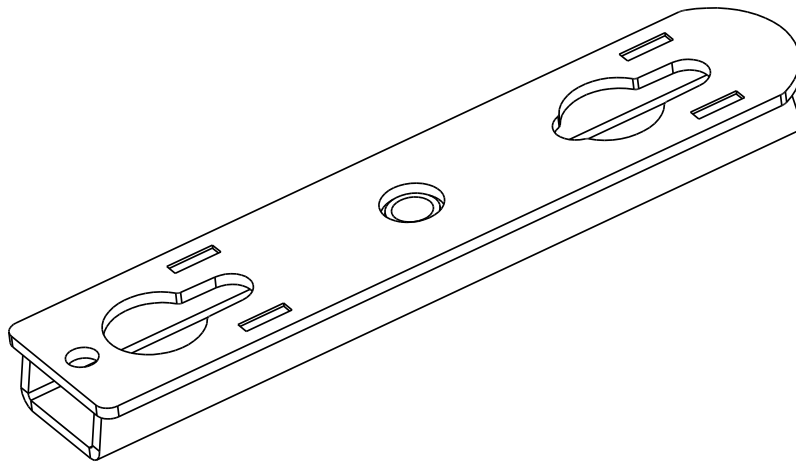
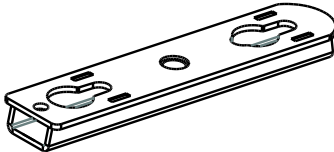
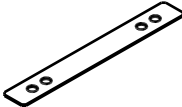

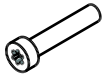


PS Touring Cradle Adapter (Not required for PS10 R2 and PS15 R2)

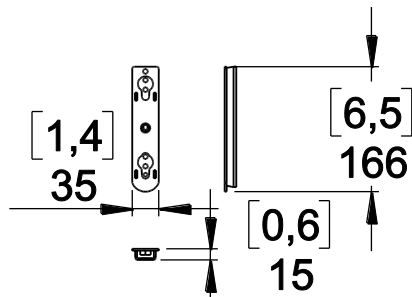


Contents:

<p>X1</p> 	<p>X1</p> 	<p>X2 (M6x20)</p> 	<p>X2 (M5x25)</p> 
---	---	--	---

Weight: 0.35 kg / 0.8 lb

Dimensions:



Assembly:

PS8	PS10	PS15
Remove the 2 cap screws (M5x20 Torx 25)	Remove the 5 cap screws (M6x10 Torx 30)	Remove the 4 cap screws (M6x10 Torx 30)
	Stick the adhesive sealing gasket on adapter	
Use the 2 screws supplied (M5x25 Torx 25)	Use the 2 screws supplied (M6x20 Torx 30)	

WARNING: Screws must be secured using Loctite 243™

- NEXO cannot accept responsibility for accidents caused by any factor other than defects in this product itself.
- Please check the web site nexo-sa.com for the latest update.



nexo-sa.com
 ZA du Pre de la Dame Jeanne
 60128 PLAILLY - France

- Read this document before using.
- Keep this document.
- Observe all warnings and cautions.

