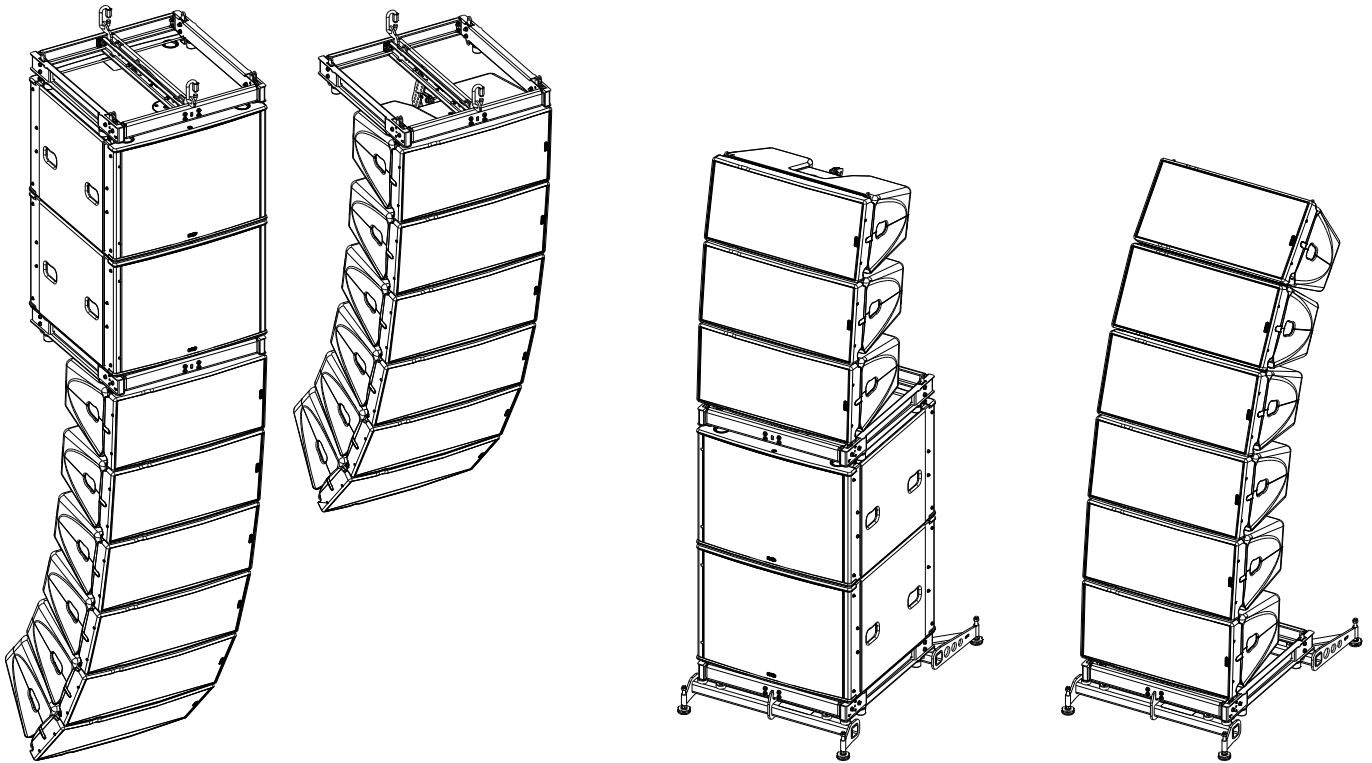


Fixed Installation Bumper for GeoM12 / MSUB18

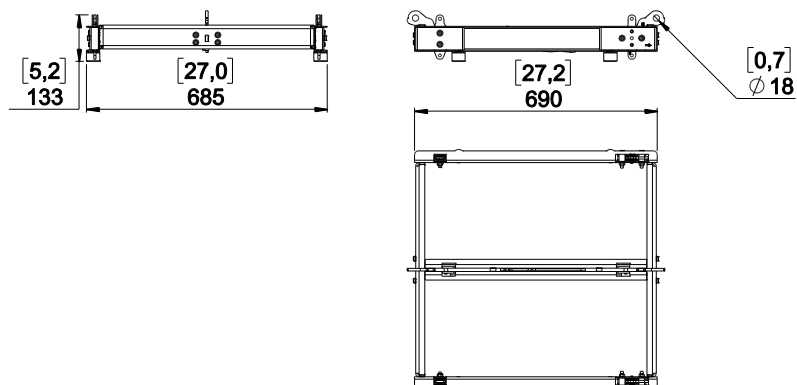


Contents:

X1		X2		X3	
X9 M8 	X11 M8 	X1 M10 	X2 D12x20 		
X2 M8x45 	X1 D10x20 	X2 M10 			

Weight: 20 kg / 44 lb

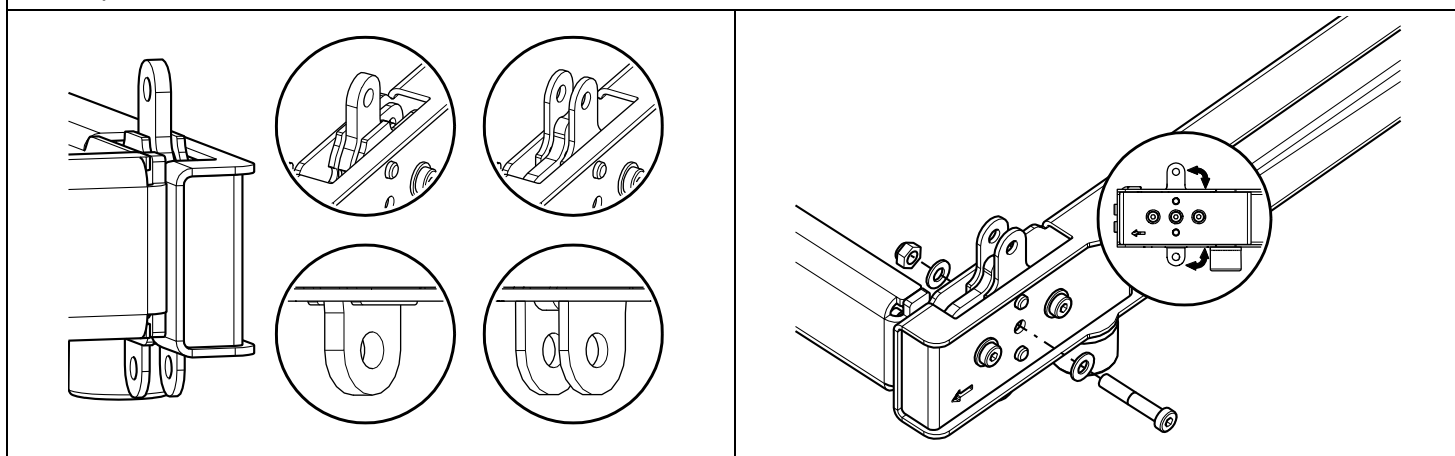
Dimensions:



Features:

- Front rigging point

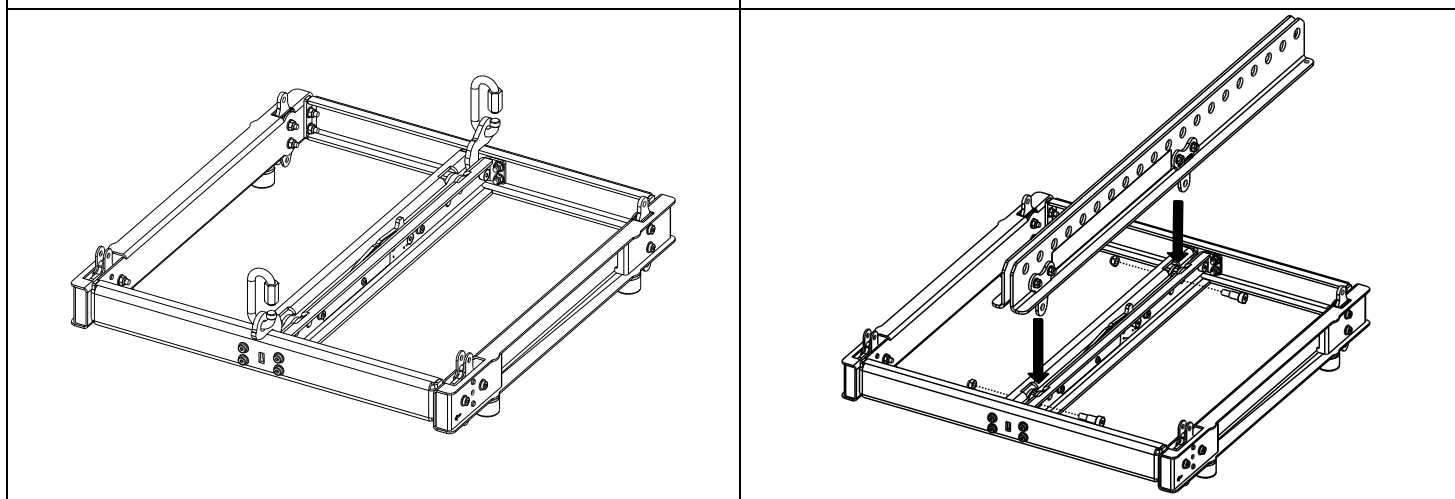
Front rigging point are easily configurable. Adjust the front rigging point and lock with provided screws (screws M8x45, washers M8, brake nuts M8).



- Hanging

On the front and the rear of the frame, you find a lift ring. Use the provided quick links to hang up.

Place VNT-EXBARM12, lock with the provided fasteners (shoulder screws D12x20, brake nuts M10).



NEXO

nexo-sa.com
ZA du Pre de la Dame Jeanne
60128 PLAILLY - France

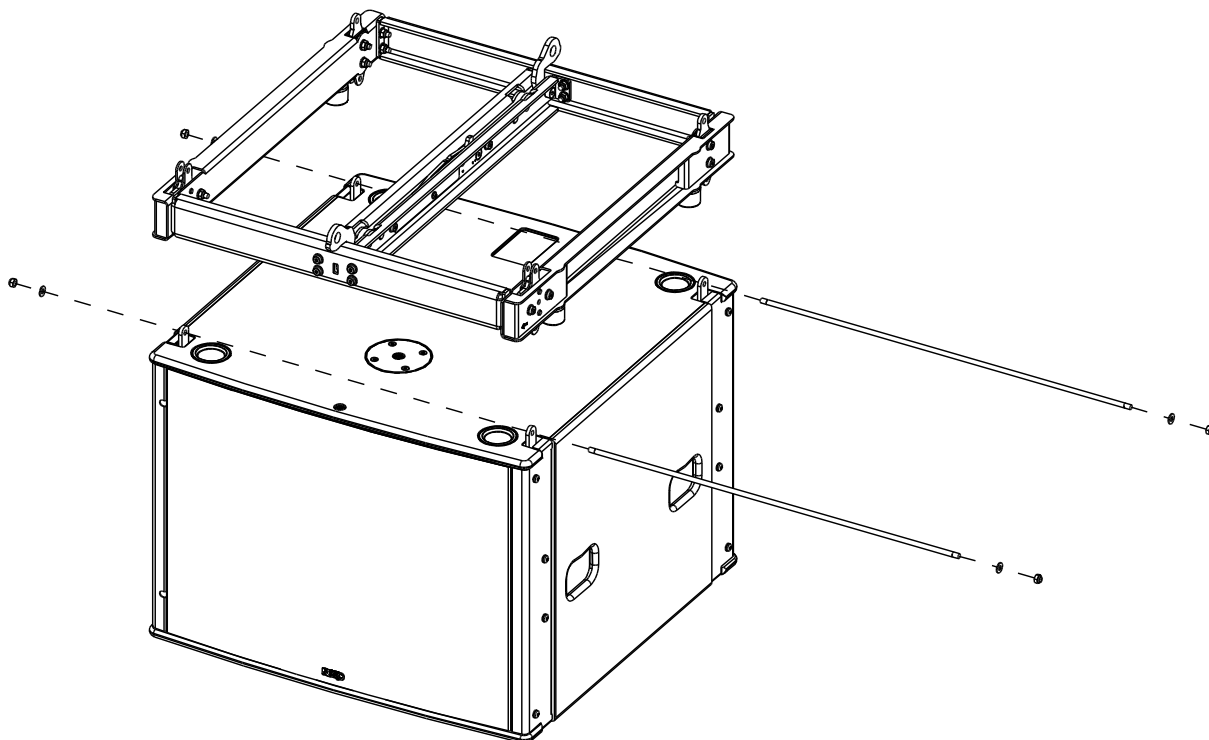
- Read this document before using.
- Keep this document.
- Observe all warnings and cautions.



Use

- **With MSUB18**

Place the Bumper on or under the MSUB18, insert the axis and the washers (M8) and secure with the brake nuts (M8).



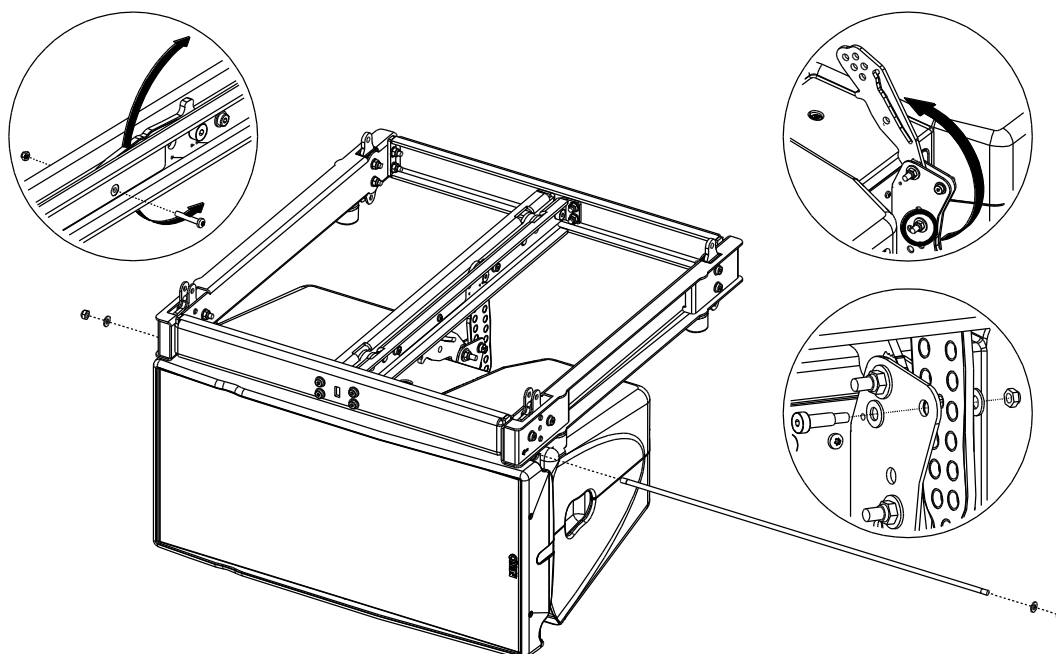
- **With GEOM12**

Unlock the VNI-BUMPM12 LinkBar and the GEOM12 LinkBar.

Place the GEOM12 LinkBar towards the bumper (if necessary).

Place the Bumper on or under the GEOM12, insert the axis and the washers (M8) and secure with the brake nuts (M8).

Adjust the appropriate inter-angle value with the Linkbar and secure with the provided screws (1 shoulder screw D10x20, 1 washer M10, 1 washer M8, 1 brake nut M8)



NEXO

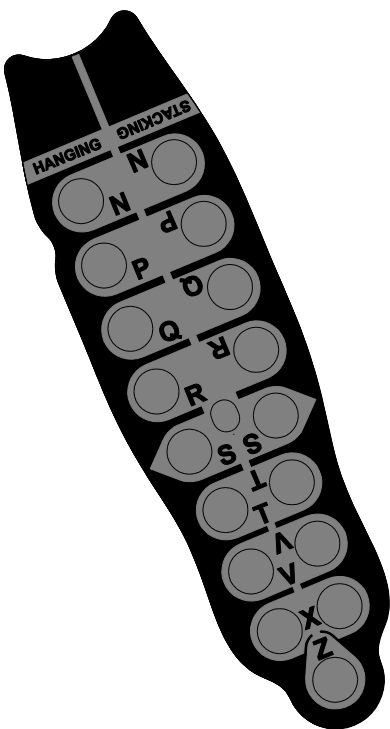
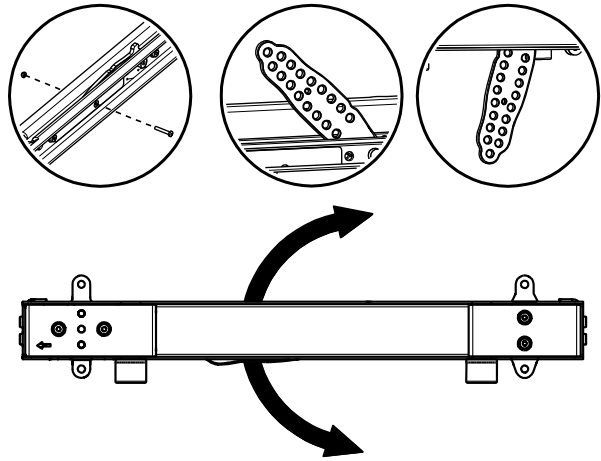
nexo-sa.com
ZA du Pre de la Dame Jeanne
60128 PLAILLY - France

- Read this document before using.
- Keep this document.
- Observe all warnings and cautions.



- LinkBar

Pull the bolt to unlock the LinkBar, use for stack or frown with the first GEOM12.



HANGING		STACKING
Z	+12°	N
X	+9°	P
V	+6°	Q
T	+3°	R
S	0°	S
R	-3°	T
Q	-6°	V
P	-9°	X
N	-12°	Z

WARNING: Use NEXO Simulation Software for mechanical prediction

Use only provided fasteners with VNI-BUMPM12

- NEXO cannot accept responsibility for accidents caused by any factor other than defects in this product itself.
- Please check the web site nexo-sa.com for the latest update.



nexo-sa.com
ZA du Pre de la Dame Jeanne
60128 PLAILLY - France

- Read this document before using.
- Keep this document.
- Observe all warnings and cautions.

