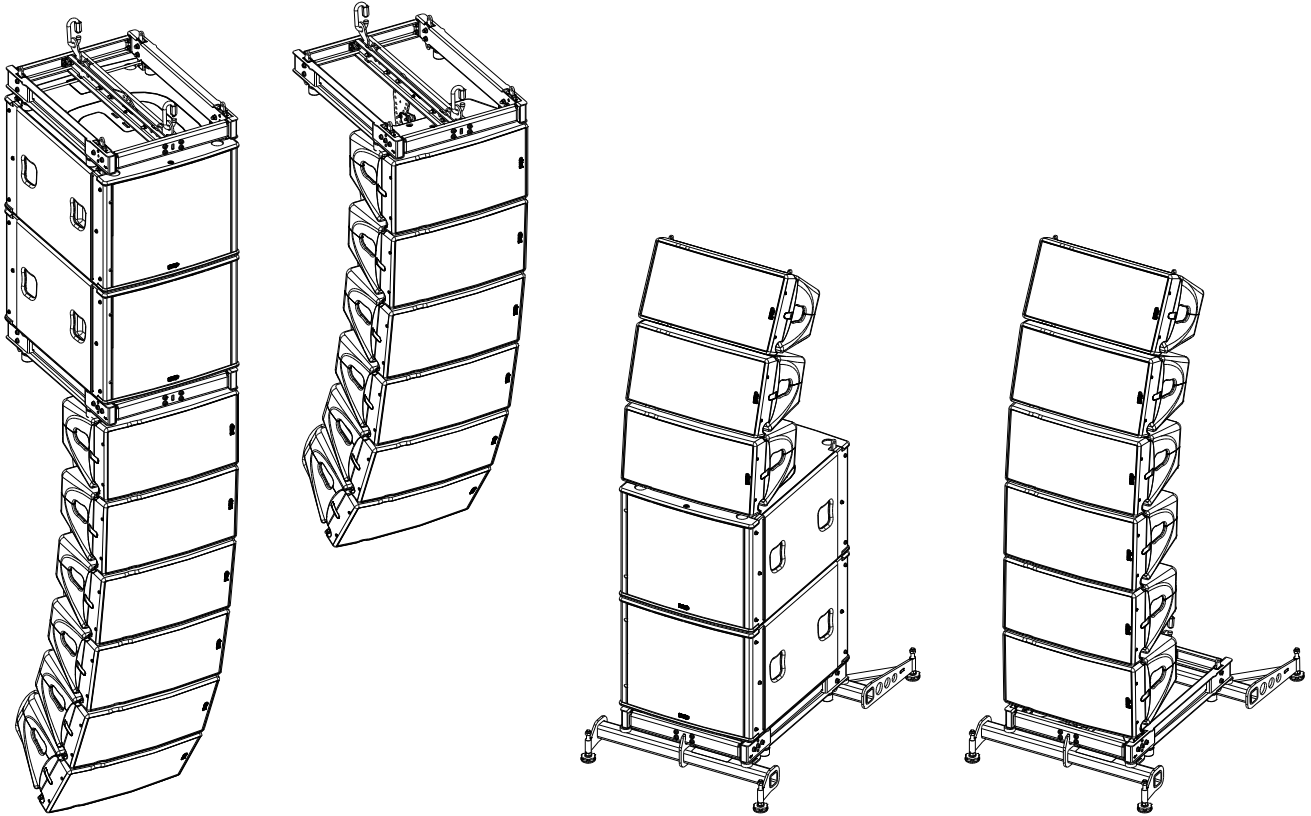
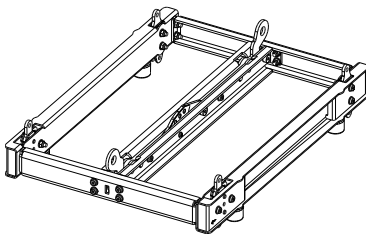
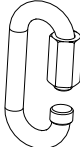
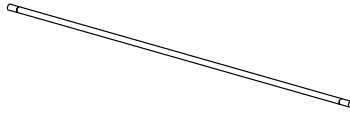
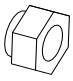

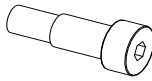
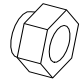
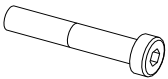
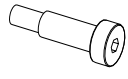




Fixed Installation Bumper GEOM10-MSUB15

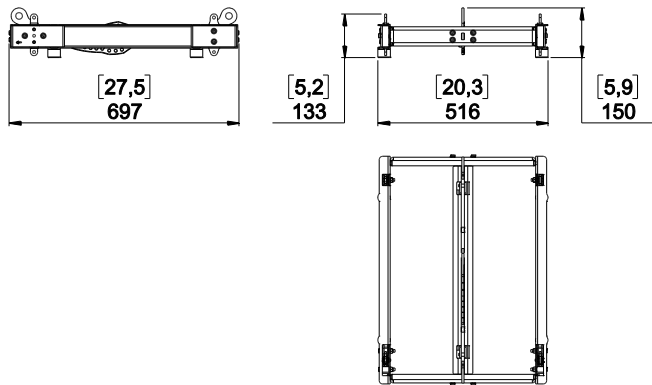


Contents:

 <p>X1</p>		 <p>X2</p>	 <p>X3</p>
 <p>X8 M8</p>	 <p>X11 M8</p>	 <p>X2 D12x20</p>	 <p>X2 M10</p>
 <p>X2 M8x45</p>	 <p>X1 D8x20</p>	 <p>X1 M6</p>	 <p>X1 M6</p>

Weight: 18 kg / 40 lb

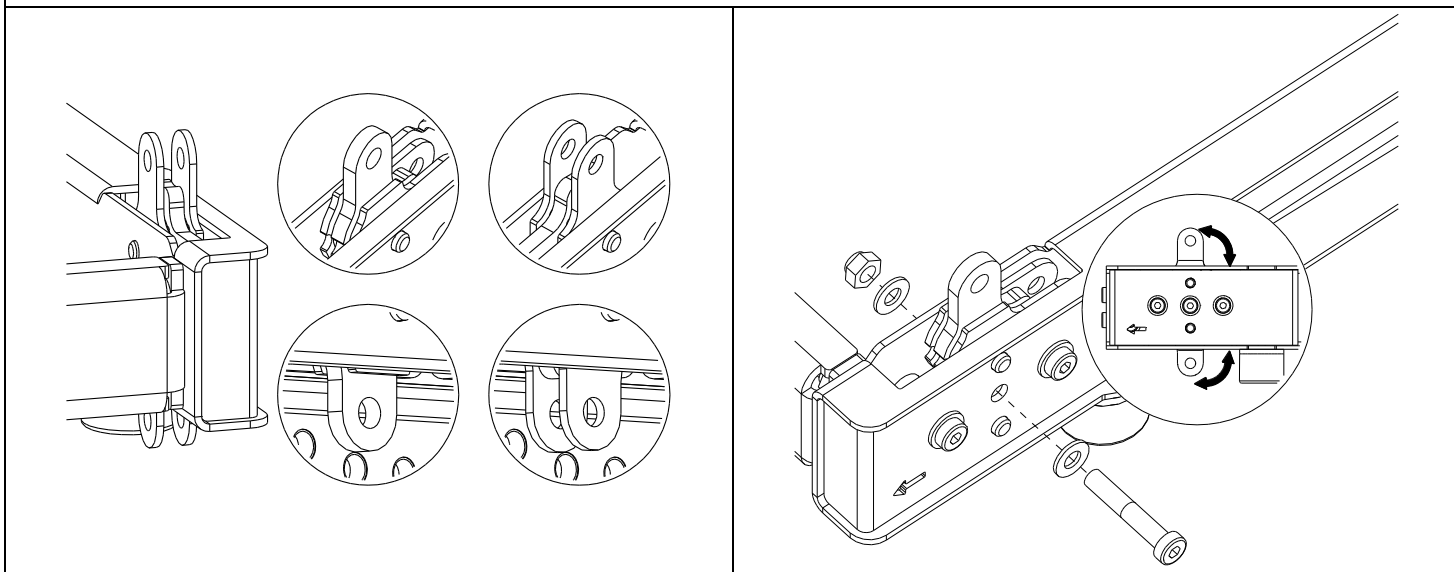
Dimensions:



Features:

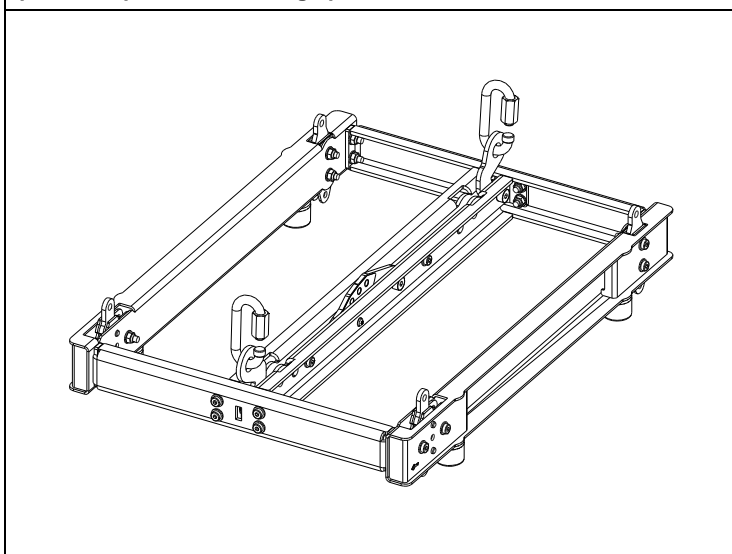
- Front rigging point

Front rigging point are easily configurable. Adjust the front rigging point and lock with provided screws (screws M8x45, washers M8, brake nuts M8).

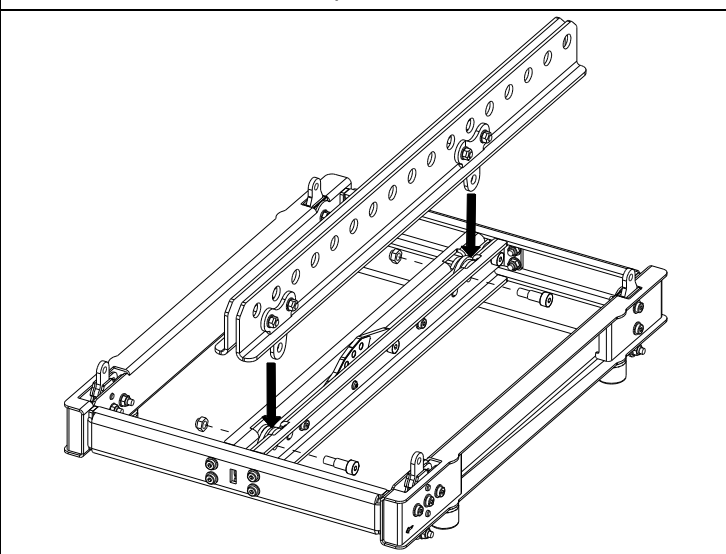


- Hanging

On the front and the rear of the frame, you find a lift ring. Use the provided quick links to hang up.



Place VNT-EXBARM10, lock with the provided fasteners (shoulder screws D12x20, brake nuts M10).



NEXO

nexo-sa.com

ZA du Pre de la Dame Jeanne
60128 PLAILLY - France

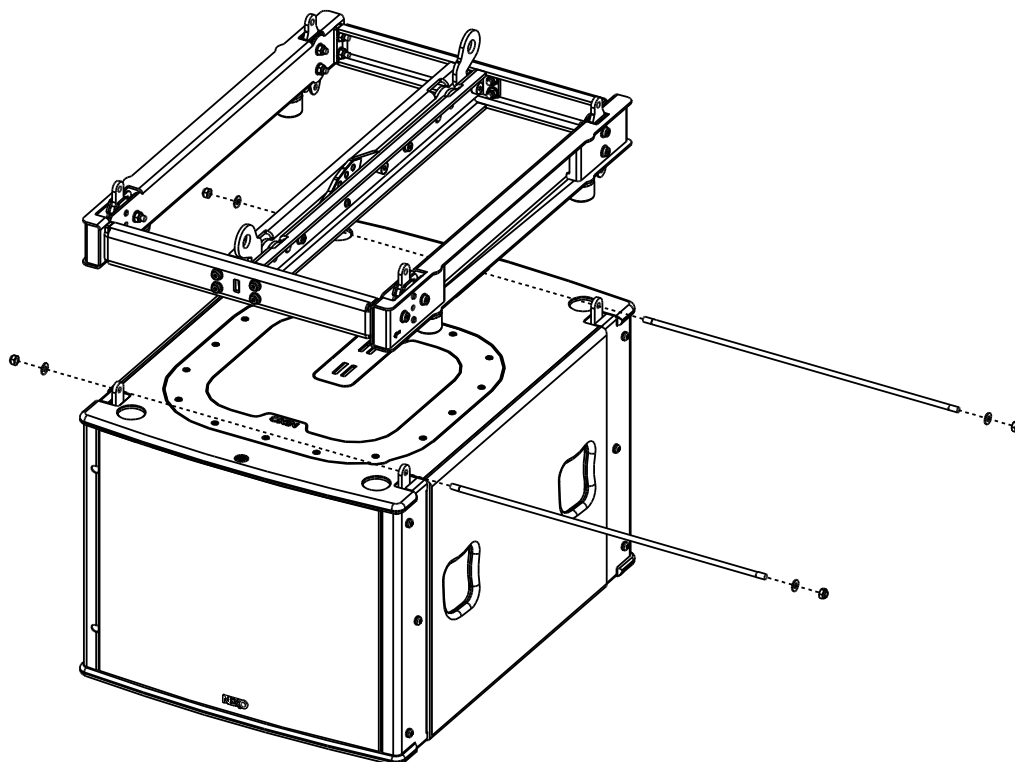
- Read this document before using.
- Keep this document.
- Observe all warnings and cautions.



Use:

- **With MSUB15**

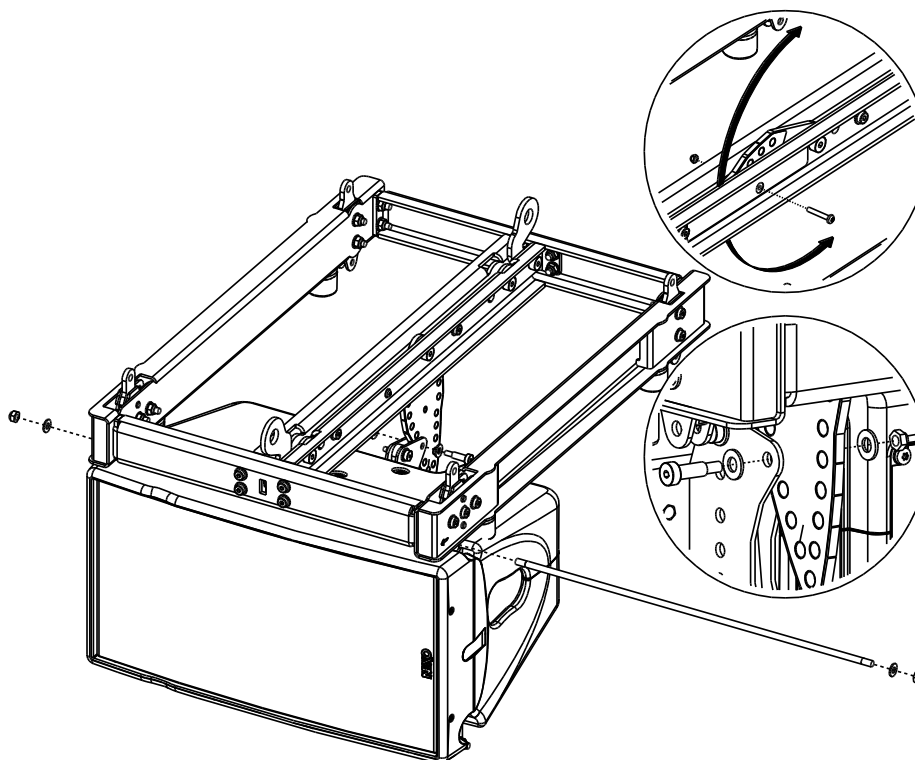
Place the Bumper on or under the MSUB15, insert the axis and the washers (M8) and secure with the brake nuts (M8).



- **With GEOM10**

Place the Bumper on or under the GEOM10, insert the axis and the washers (M8) and secure with the brake nuts (M8).

Adjust the appropriate inter-angle value with the Linkbar and secure with the provided screws (1 shoulder screw D8x20, 2 washers M8, brake nut M6)



NEXO

nexo-sa.com

ZA du Pre de la Dame Jeanne
60128 PLAILLY - France

- Read this document before using.
- Keep this document.
- Observe all warnings and cautions.

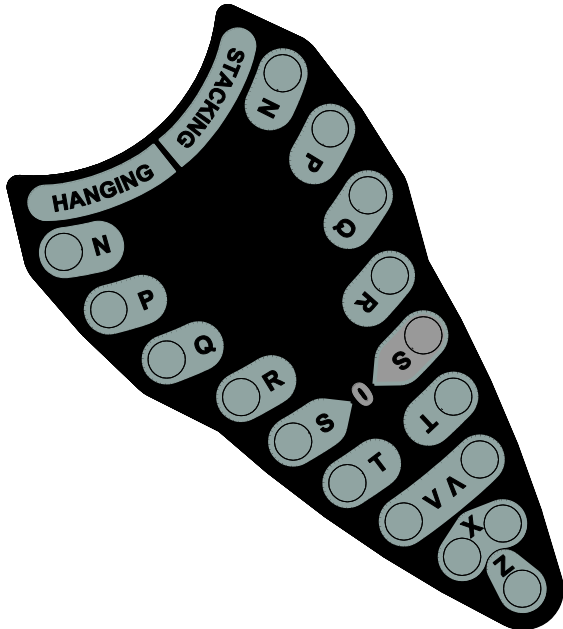
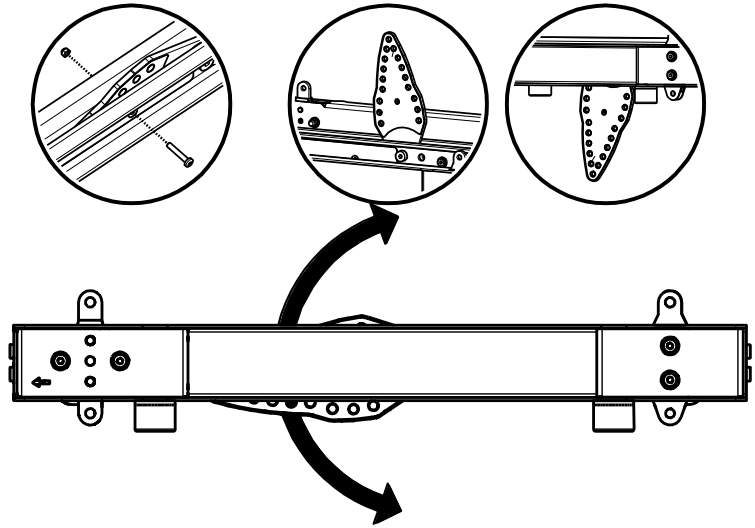


- Linkbar

Remove the screw and the nut to unlock the Linkbar.

Used for stack or flown with the first GEOM10.

- Below to flown (HANGING).
- Above to stack (STACKING).



HANGING		STACKING
Z	+12°	N
X	+9°	P
V	+6°	Q
T	+3°	R
S	0°	S
R	-3°	T
Q	-6°	V
P	-9°	X
N	-12°	Z

WARNING: Use NEXO Simulation Software for mechanical prediction

Use only provided fasteners with VNI-BUMPM10.

- NEXO cannot accept responsibility for accidents caused by any factor other than defects in this product itself.
- Please check the web site nexo-sa.com for the latest update.



nexo-sa.com
 ZA du Pre de la Dame Jeanne
 60128 PLAILLY - France

- Read this document before using.
- Keep this document.
- Observe all warnings and cautions.

