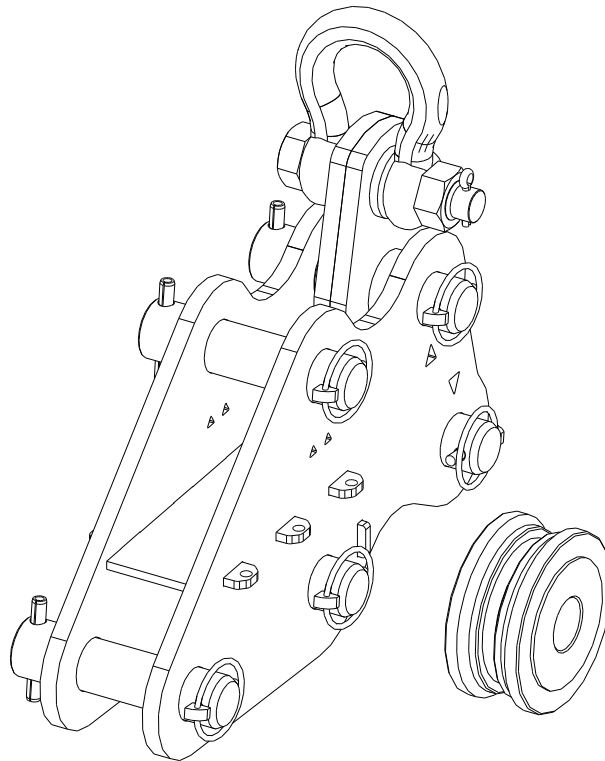
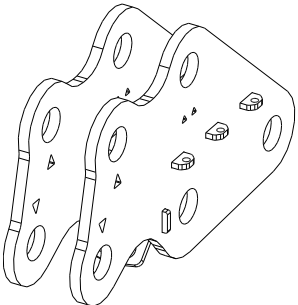
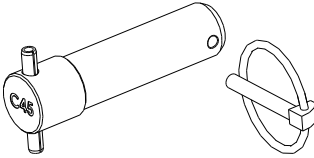

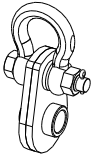


Front / Rear Motor Rig Point

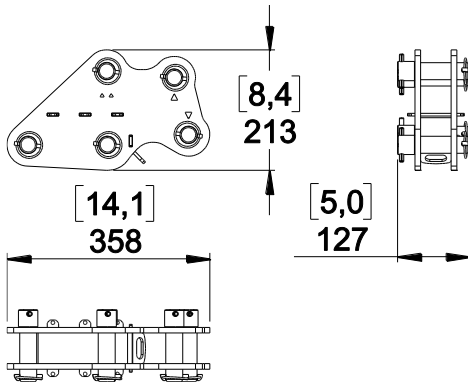


Contents:

<p>X1</p> 	<p>X5</p> 	<p>X1</p>  <p>Rea</p>	<p>X1</p>  <p>Centring</p>
---	---	--	---

Weight: 12 kg / 26.5 lb (Without Centring)

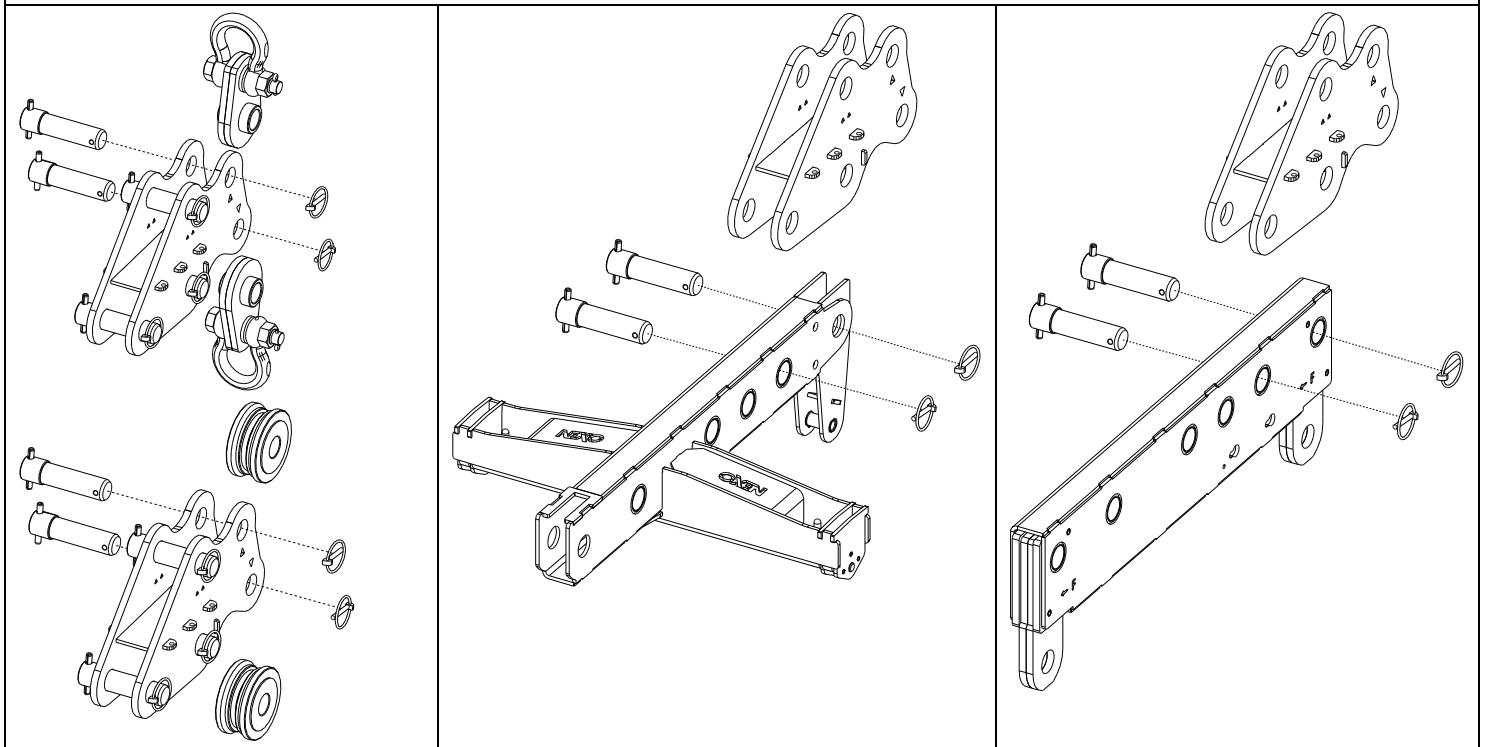
Dimensions:



Use:

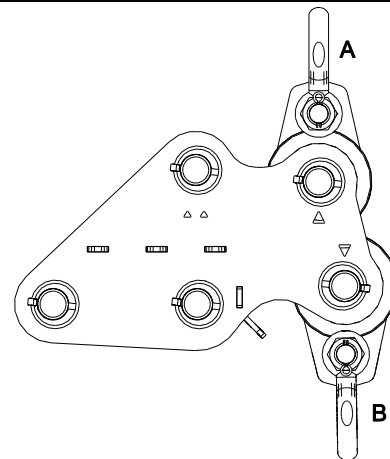
Centring / Rea Assembly	PTILT on XBOW	PTILT on MBEAM
-------------------------	---------------	----------------

Insert the steel pin and insert the safety pin, rotate its ring to lock safety.



Rigging Point:

- A for the motor.
- B for the chain (compression mode)



ENSURE PINS ARE PROPERLY AND SAFETY LOCKED

- NEXO cannot accept responsibility for accidents caused by any factor other than defects in this product itself.
- Please check the web site nexo-sa.com for the latest update.

- Read this document before using.
- Keep this document.
- Observe all warnings and cautions.

