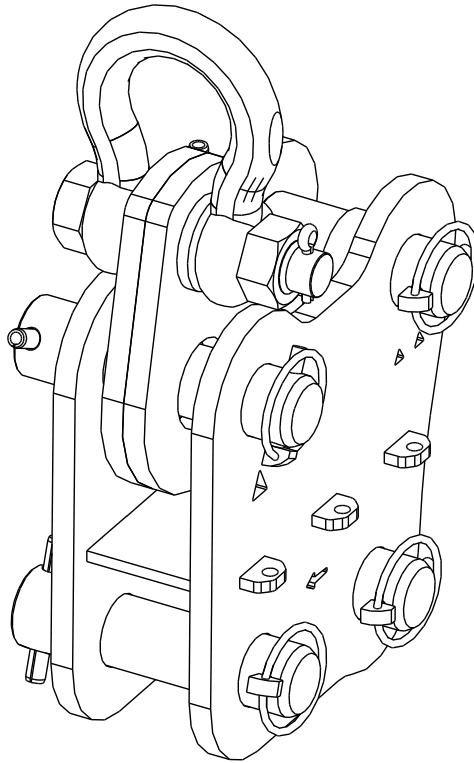
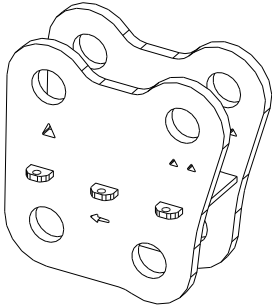
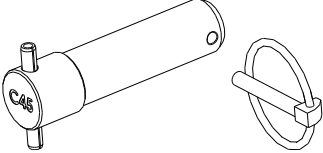
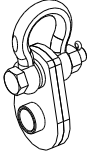


Center Motor Rig Point

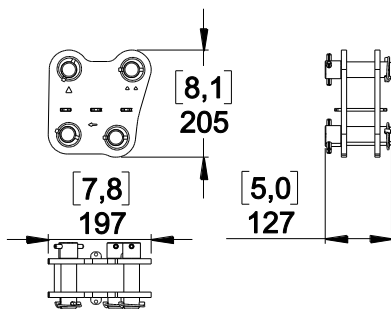


Contents:

<p>X1</p> 	<p>X4</p> 	<p>X1</p>  <p>Centring</p>
---	--	---

Weight: 8 kg / 17.6 lb (Without Centring)

Dimensions:



Assembly:

Centring assembly	MLINK on XBOW	MLINK on MBEAM
Insert the steel pin and insert the safety pin, rotate its ring to lock safety.		

ENSURE PINS ARE PROPERLY AND SAFETY LOCKED

- NEXO cannot accept responsibility for accidents caused by any factor other than defects in this product itself.
- Please check the web site nexo-sa.com for the latest update.

NEXO

nexo-sa.com
ZA du Pre de la Dame Jeanne
60128 PLAILLY - France

- Read this document before using.
- Keep this document.
- Observe all warnings and cautions.

