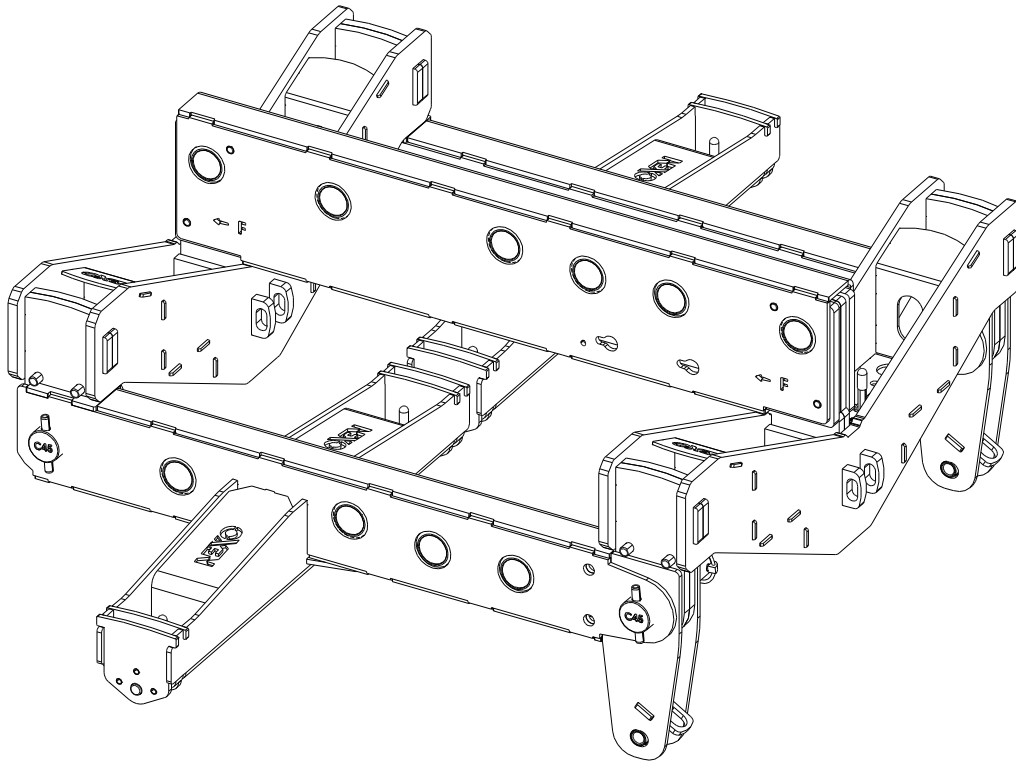
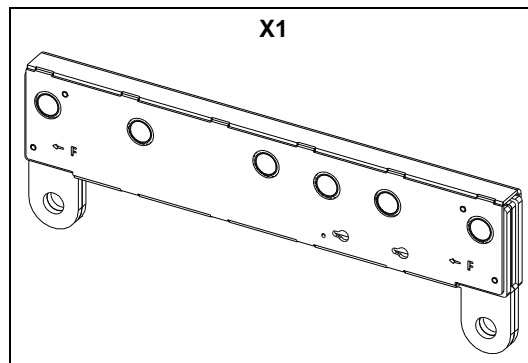


## 2 & 3 Columns Flying Beam

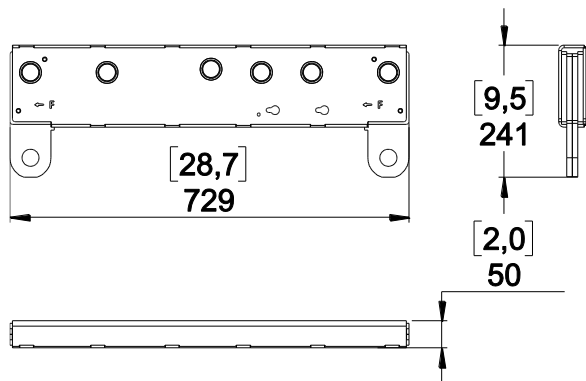


### Contents:



Weight: 19 kg / 42 lb

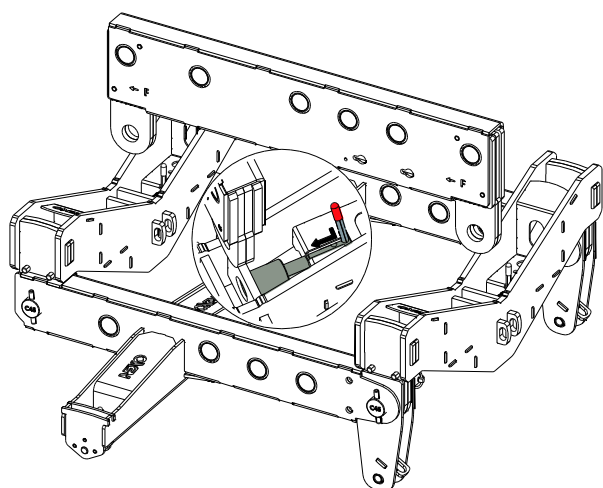
## Dimensions:



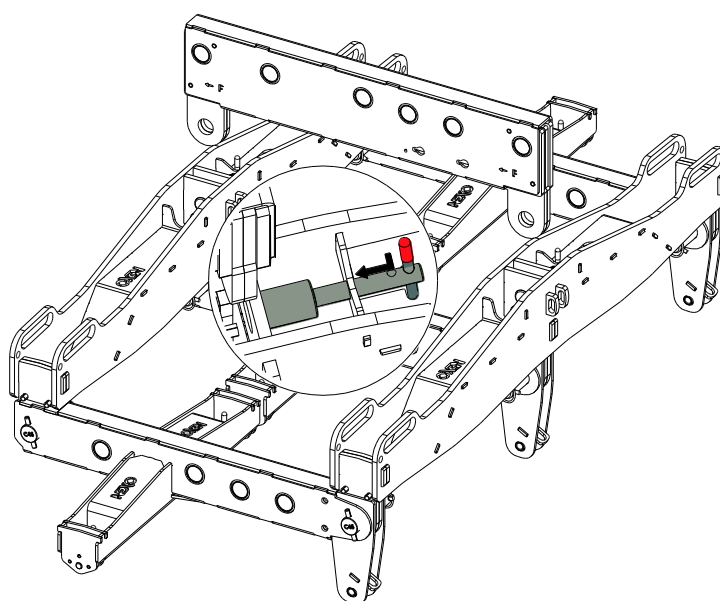
## Connecting MBEAM to XCOUP2 (XCOUP3)

Insert the MBEAM fixing points into XCOUP2 (XCOUP3) coupling beams, then release XCOUP2 (XCOUP3) spring pins so that above components are locked.

### Used with XCOUP2



### Used with XCOUP3



**ENSURE XCOUP2 (XCOUP3) SPRING PINS ARE PROPOERLY LOCKED INTO MBEAM**

- NEXO cannot accept responsibility for accidents caused by any factor other than defects in this product itself.
- Please check the web site [nexo-sa.com](http://nexo-sa.com) for the latest update.

# NEXO

nexo-sa.com  
ZA du Pre de la Dame Jeanne  
60128 PLAILLY - France

- Read this document before using.
- Keep this document.
- Observe all warnings and cautions.

