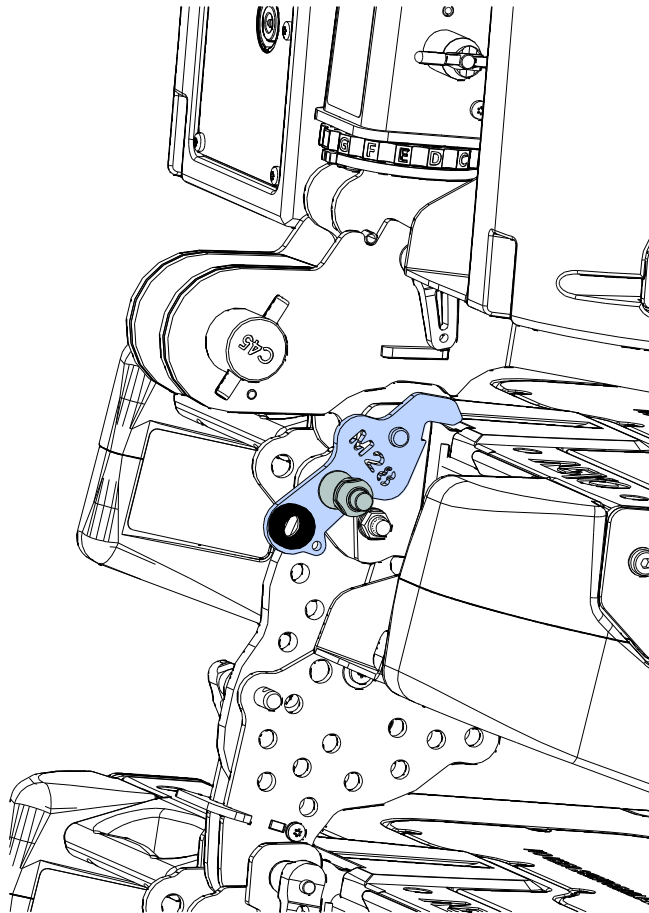
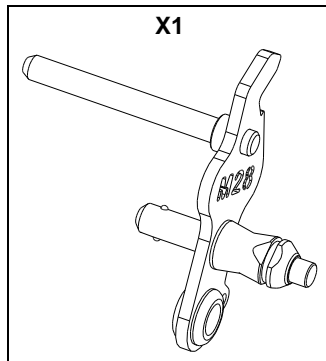


M28 BTBumper adapter

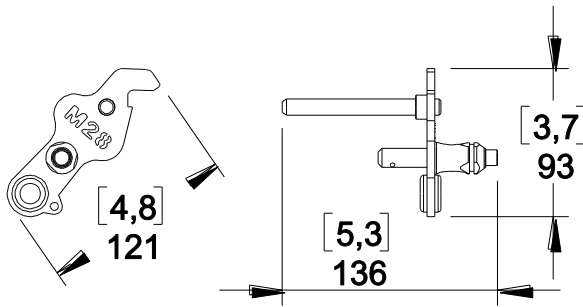


Contents:

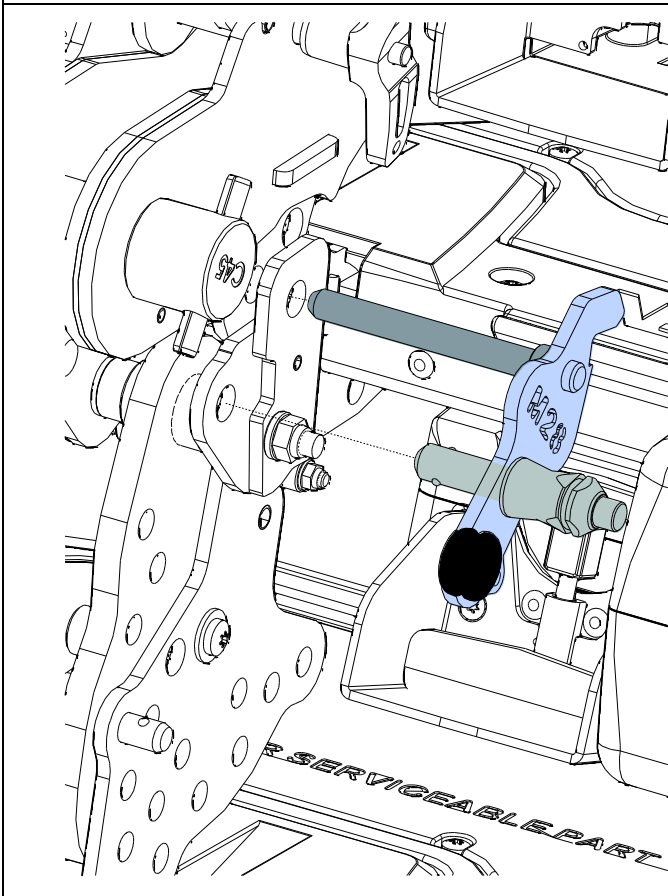


Weight: 1 kg / 2.2 lb

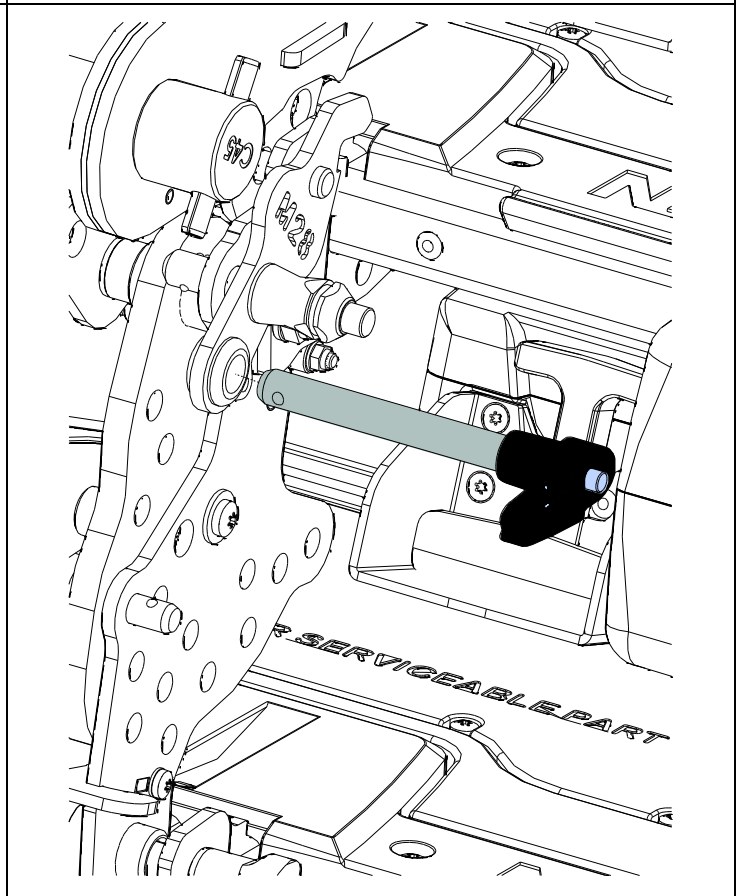
Dimensions:



Insert M46TOM28 in hole to join M28 with BTBUMPER.



Insert the Rigging Ball-Lock of the first M28 under BTBUMPER in the plastic part.



- NEXO cannot accept responsibility for accidents caused by any factor other than defects in this product itself.
- Please check the web site nexo-sa.com for the latest update.

NEXO

nexo-sa.com
ZA du Pre de la Dame Jeanne
60128 PLAILLY - France

- Read this document before using.
- Keep this document.
- Observe all warnings and cautions.

