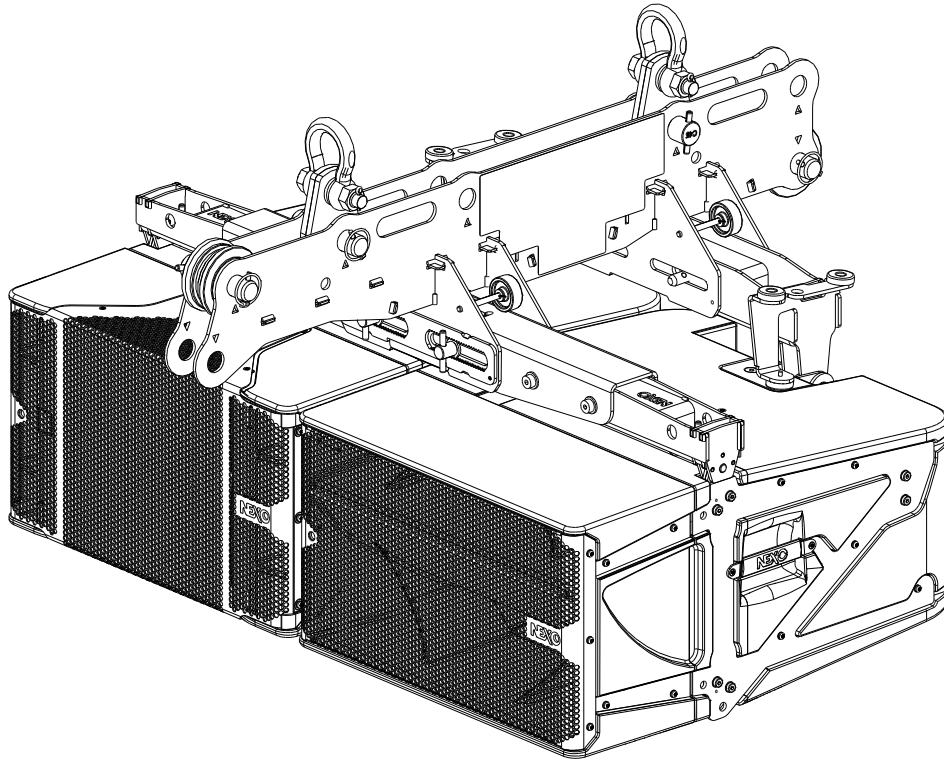
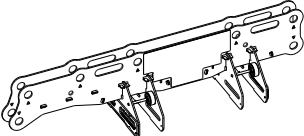
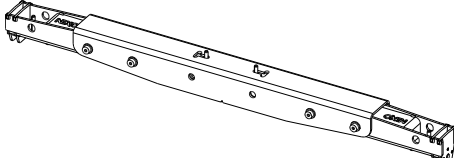
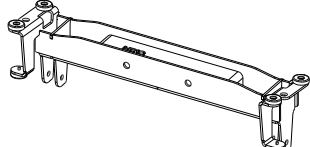

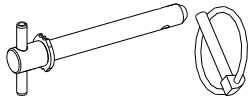




Double Column Light Bumper

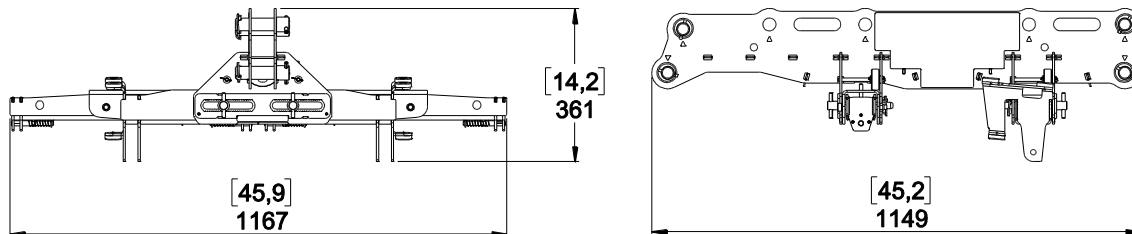


Contents:

<p>X1</p> 	<p>X1</p> 	<p>X1</p> 	
<p>X4</p> 	<p>X4</p> 	<p>X2</p> 	<p>X3</p> 

Weight: 62 kg / 136 lb

Dimensions:



Flying Modes:

	1 Motor	2 Motors
Down Tilt		
Up Tilt		

↓ Safety point

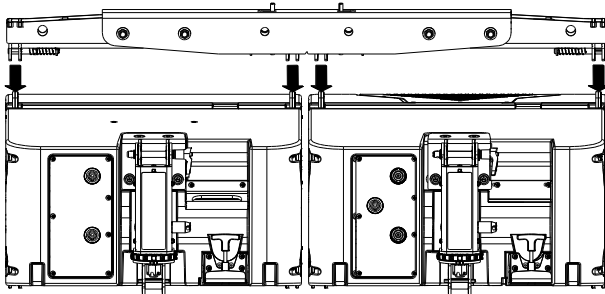
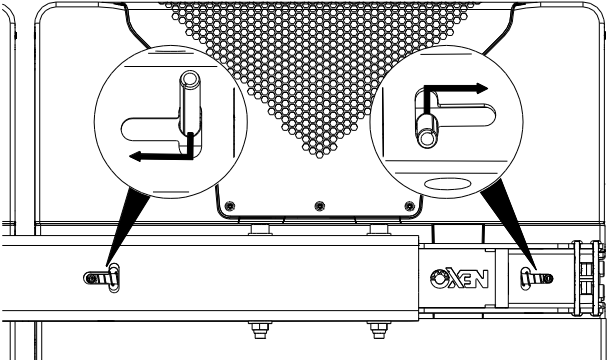
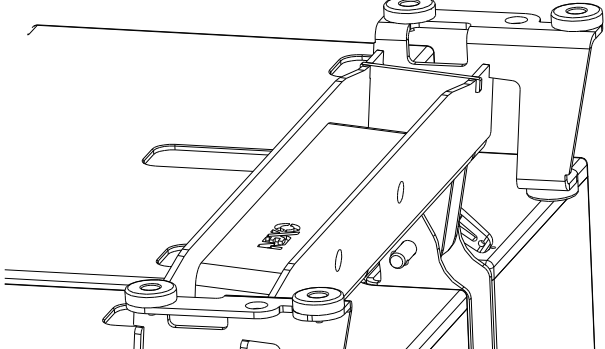
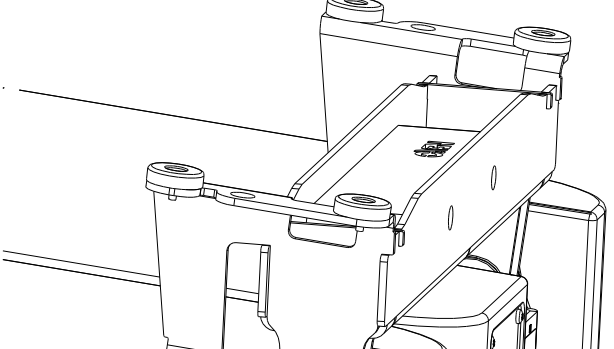
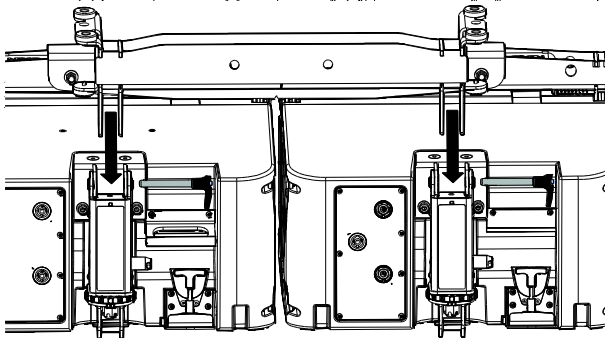
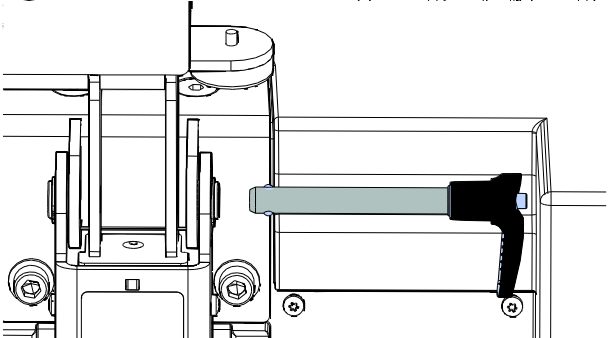
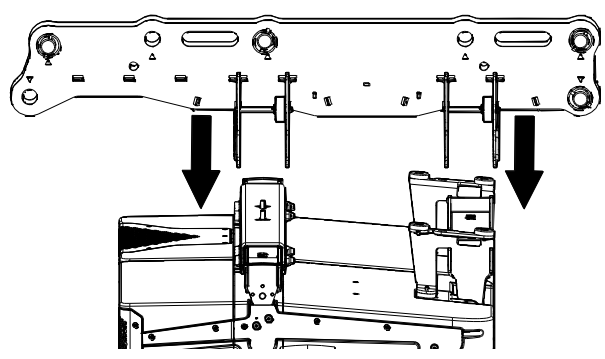
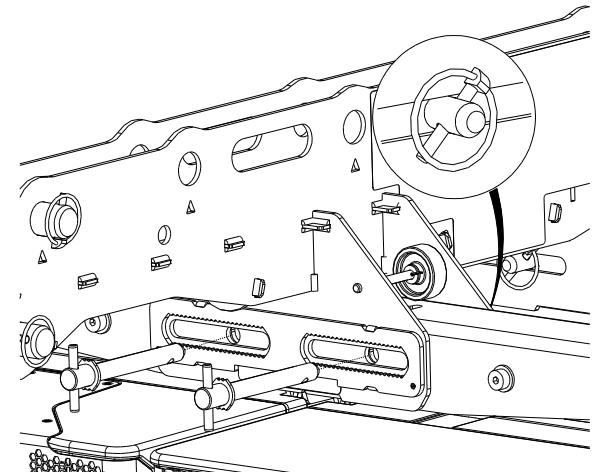
NEXO

nexo-sa.com
ZA du Pre de la Dame Jeanne
60128 PLAILLY - France

- Read this document before using.
- Keep this document.
- Observe all warnings and cautions.



Implementation:

<p>Positioning the Front Beam</p> 	<p>Locking the Front Beam (4 latches)</p> 
<p>⚠ Rear Beam in this position for S118.</p>	<p>⚠ Rear Beam in this position for B112 and M46.</p>
<p>Positioning the Rear Beam</p> 	<p>Locking the rear Beam (2x Quick release pins)</p> 
<p>Positioning the Rigging Beam</p> 	<p>Locking the Rigging Beam (4x Pins) – Adjust before Lock. SHIFT TOWARDS M46.</p> 
<p>Positioning the Rigging Beam</p> 	<p>Locking the Rigging Beam (4x Pins) – Adjust before Lock. SHIFT TOWARDS M46.</p> 

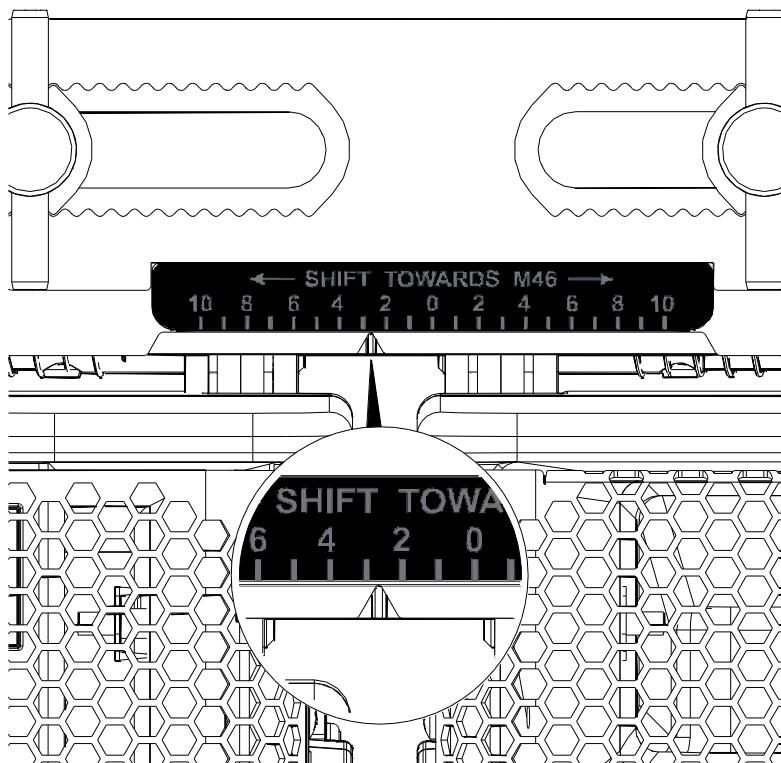


nexo-sa.com
 ZA du Pre de la Dame Jeanne
 60128 PLAILLY - France

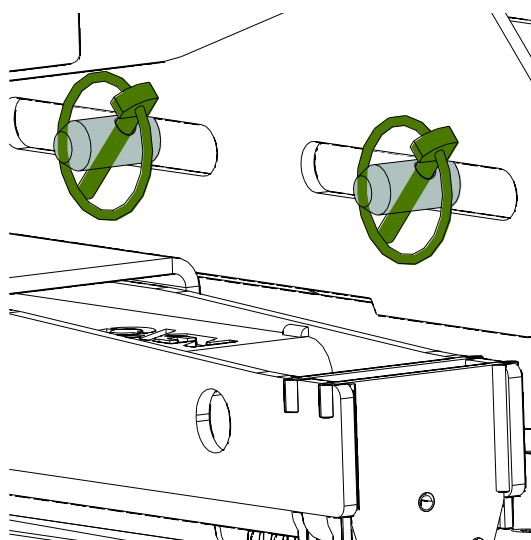
- Read this document before using.
- Keep this document.
- Observe all warnings and cautions.



GRADUATION : Use NS1 To adjust the position.



WARNING : Secure the Goup16 with the safety pin (lock safety by rotating its ring around steel pin).



- NEXO cannot accept responsibility for accidents caused by any factor other than defects in this product itself.
- Please check the web site nexo-sa.com for the latest update

NEXO

nexo-sa.com
ZA du Pre de la Dame Jeanne
60128 PLAILLY - France

- Read this document before using.
- Keep this document.
- Observe all warnings and cautions.

