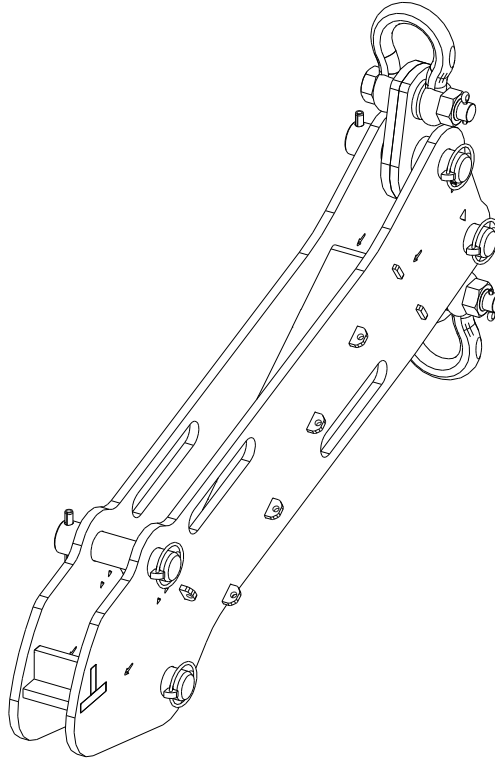
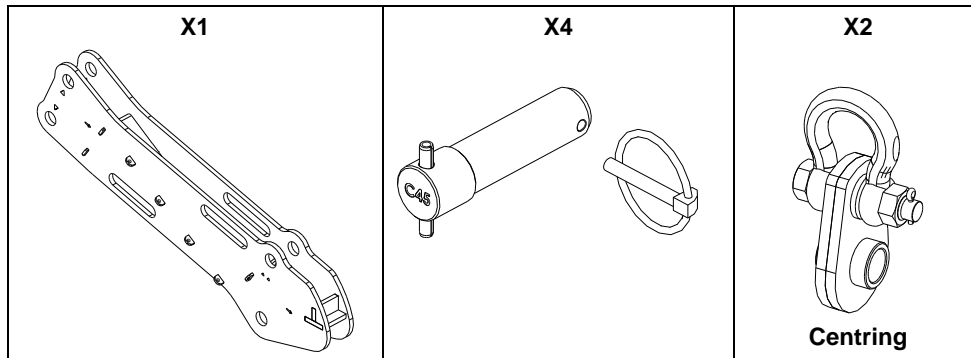


Helping Beam

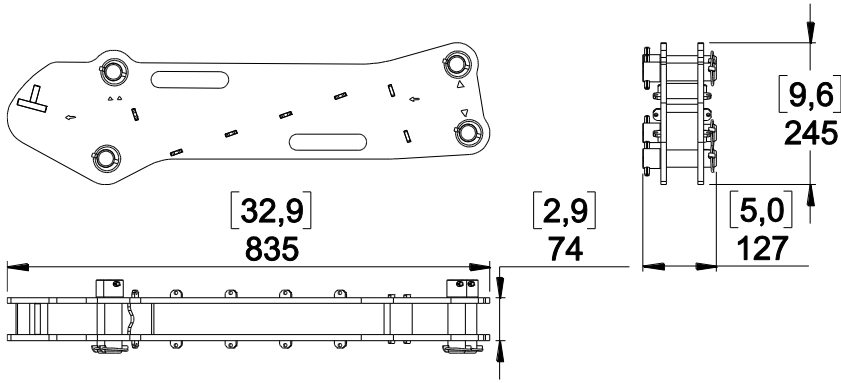


Contents:



Weight: 26 kg / 57 lb (Without Centring)

Dimensions:



Use

Centring Assembly	KBEAM on XBOW	KBEAM on MBEAM
Insert the steel pin and insert the safety pin, rotate its ring to lock safety.		
<p>Rigging Point:</p> <ul style="list-style-type: none"> • A for the motor. • B for the chain (compression mode) 		

ENSURE PINS ARE PROPERLY AND SAFETY LOCKED

- NEXO cannot accept responsibility for accidents caused by any factor other than defects in this product itself.
- Please check the web site nexo-sa.com for the latest update.



nexo-sa.com
ZA du Pre de la Dame Jeanne
60128 PLAILLY - France

- Read this document before using.
- Keep this document.
- Observe all warnings and cautions.

