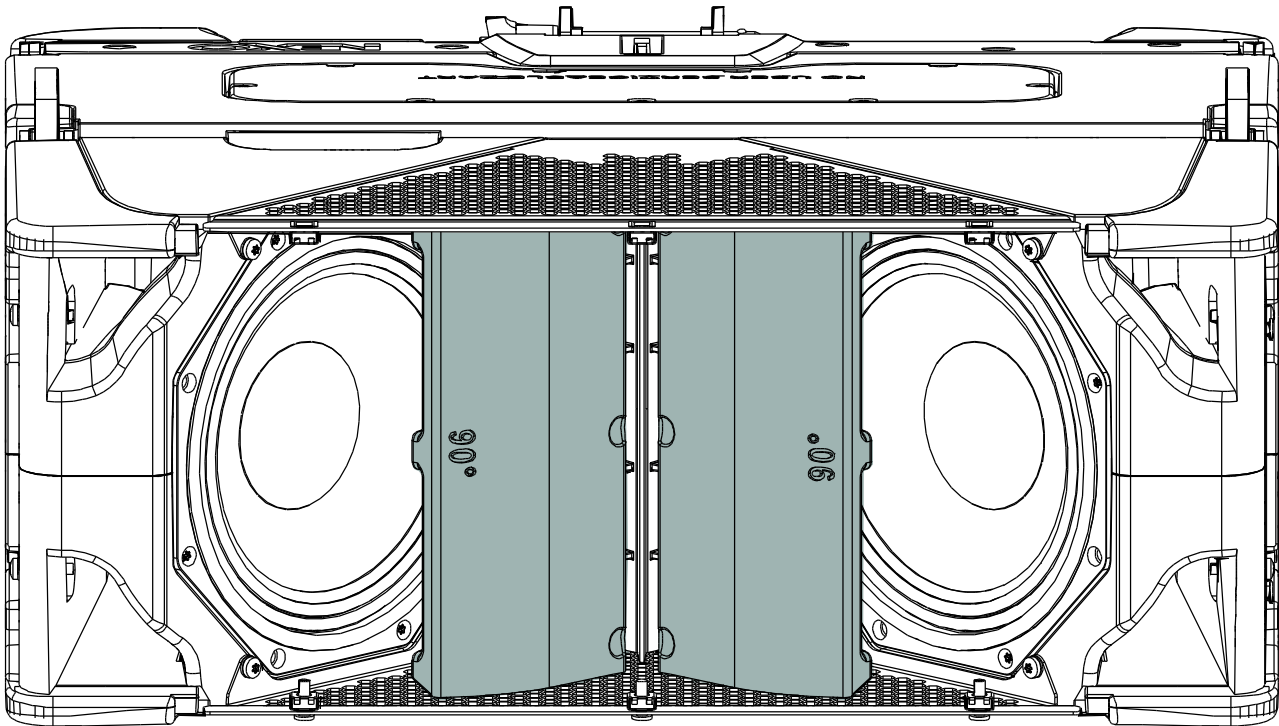
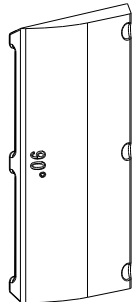

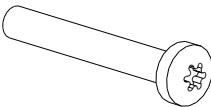


## Flange 90° M28



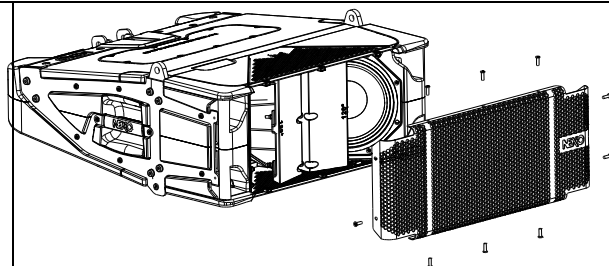
### Contents:

X2	X6	X6
	M5 	Torx 5x35 

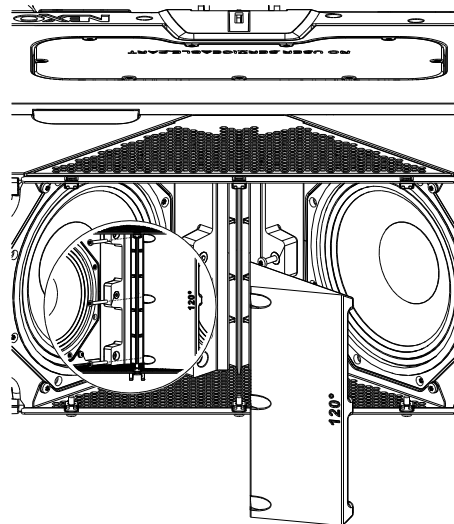
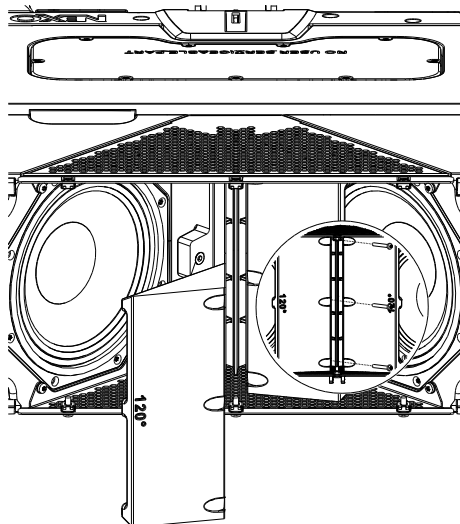
Weight: 1.2 kg / 2.6 lb

## Assembly

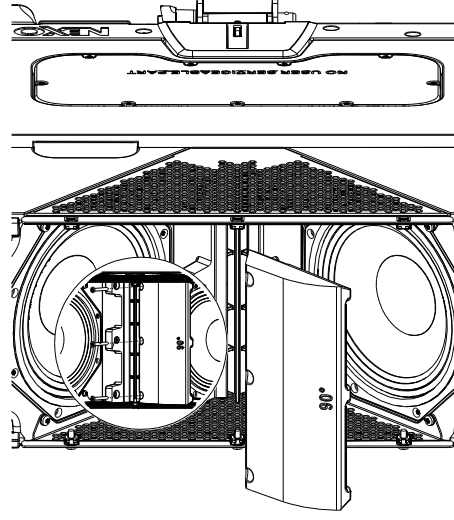
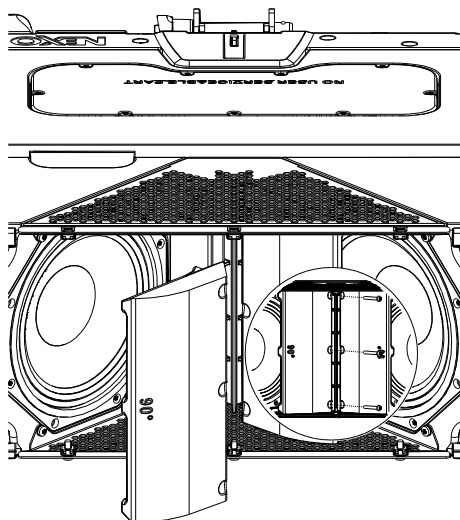
Remove the 8 screws and the front grid



Unscrew the 3 screws and remove the first FLG28120, unscrew 3 screws and remove the second.



Position the first FLG28090 with 3 screws, position the second with 3 screws. (Use provided screws)



- NEXO cannot accept responsibility for accidents caused by any factor other than defects in this product itself.
- Please check the web site [nexo-sa.com](http://nexo-sa.com) for the latest update.

# NEXO

[nexo-sa.com](http://nexo-sa.com)

ZA du Pre de la Dame Jeanne  
60128 PLAAILLY - France

- Read this document before using.
- Keep this document.
- Observe all warnings and cautions.