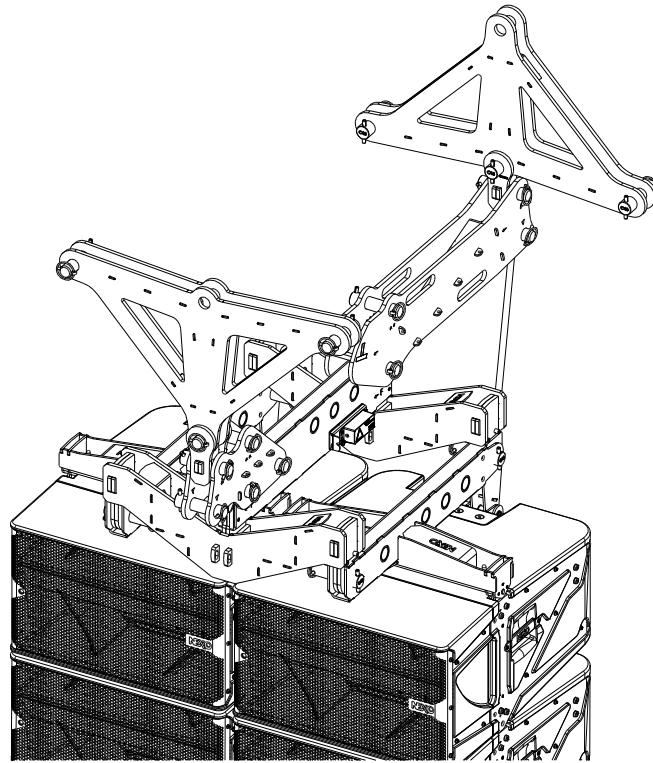
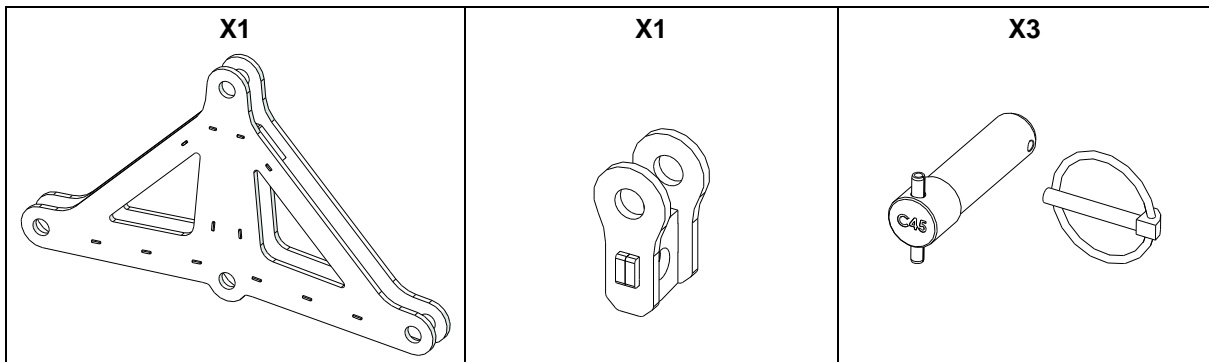


Delta Plate for Horizontal Aiming

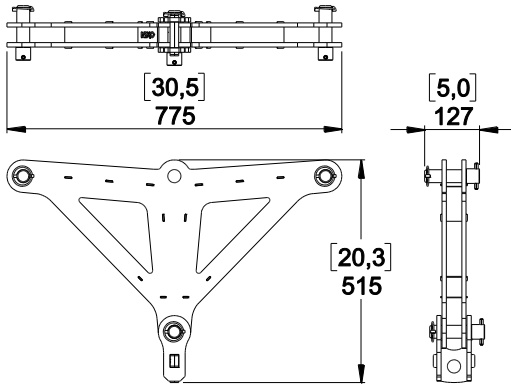


Contents:



Weight: 24 kg / 53 lb

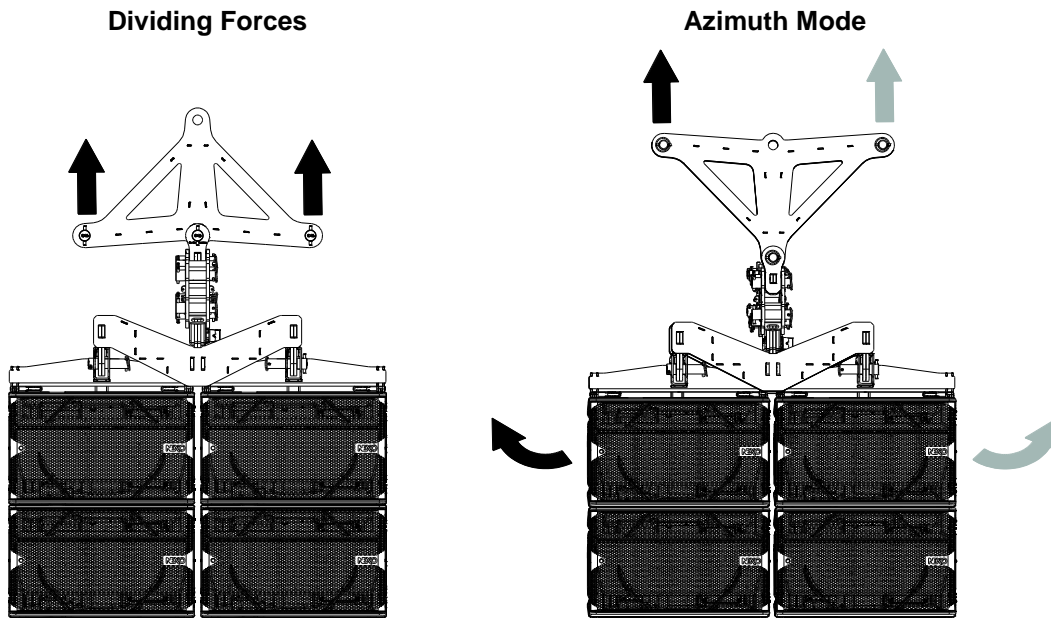
Dimensions:



Assembly (KBEAM for example)

<p>Position the link, insert the steel pin and insert the safety pin, rotate its ring to lock safety.</p>	<p>Dividing force Position DPLATE, insert the steel pin and insert the safety pin, rotate its ring to lock safety</p>	<p>Azimuth mode Position DPLATE, insert the steel pin and insert the safety pin, rotate its ring to lock safety</p>

Use



- NEXO cannot accept responsibility for accidents caused by any factor other than defects in this product itself.
- Please check the web site nexo-sa.com for the latest update.



nexo-sa.com
ZA du Pre de la Dame Jeanne
60128 PLAILLY - France

- Read this document before using.
- Keep this document.
- Observe all warnings and cautions.

