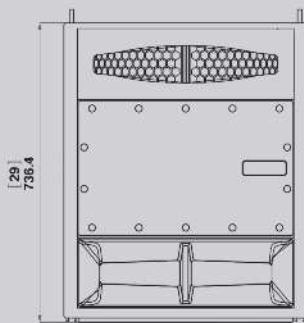
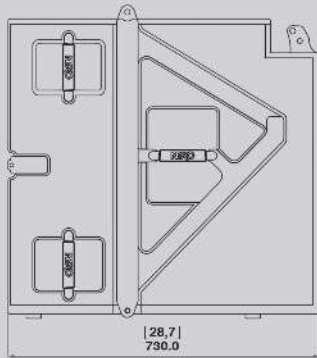


STMi S118 Sub Module

NEXO

STMi



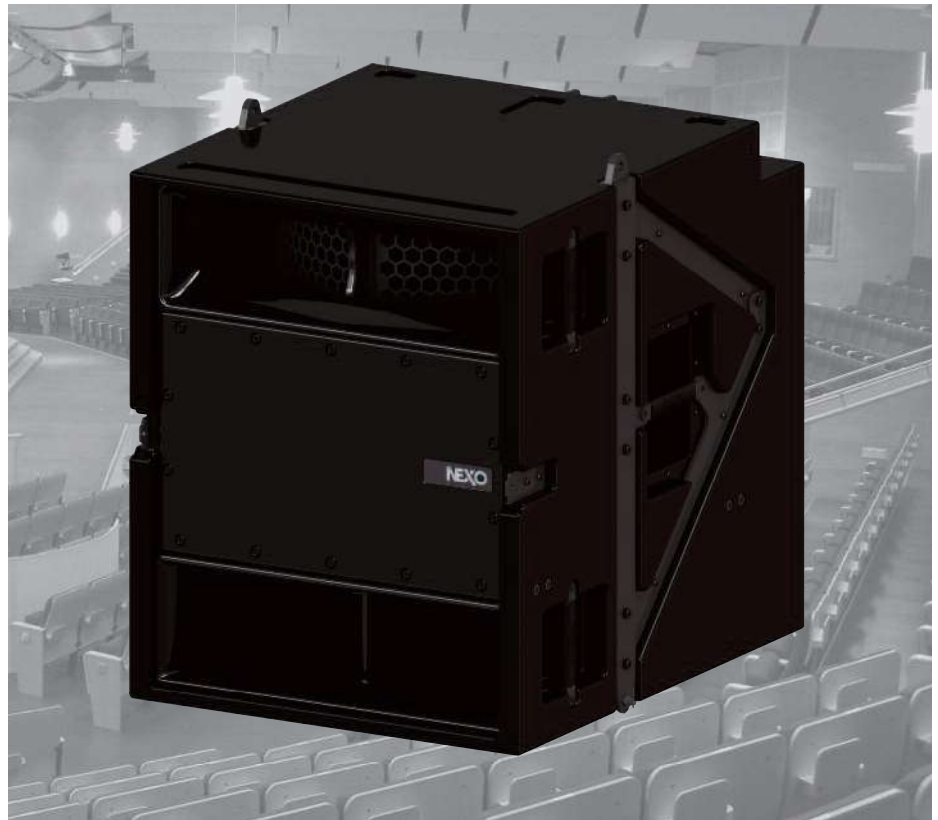
Key Features

- 1 x 18 inch LF Driver
- 143dB peak SPL
- Frequency response: 25Hz-85Hz
- H700mm/W575mm/D715mm
- 85Kg/187lb
- Omni or cardioid modes

System Applications

- Fixed installations in:
 - Theatres
 - Auditoria
 - Houses of Worship
 - Public Buildings
 - Clubs
 - Live music venues

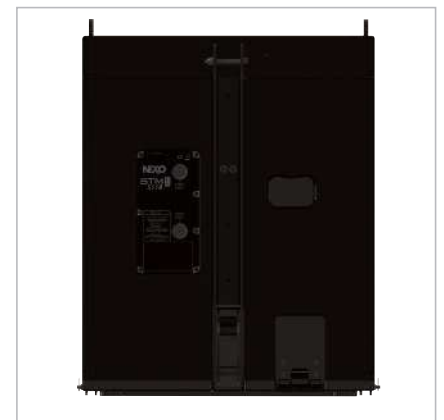
NEXO
www.nexo.fr



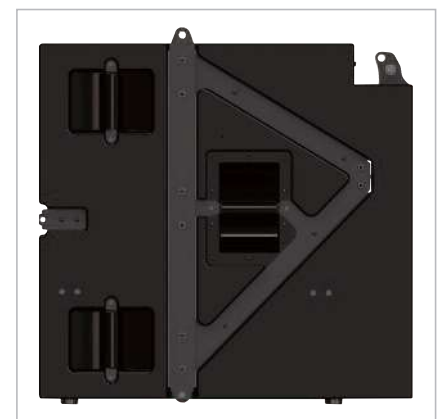
STMi extends the NEXO concept of Scale Through Modularity to provide designers of fixed-installation sound systems with a series of three modules (STMi M46 main, B112 bass and S118 sub) from which systems of any scale can be easily configured.

The STMi S118 sub-bass cabinet features a Neodymium high excursion 3000W 18" driver. A bandpass load ensures SPL output equivalent to conventional dual 18" sub-basses. Same width, double the height of the STMi M46 main cabinet, so the STMi S118 can be flown in the array or ground-stacked in line. Can be run in omnidirectional or cardioid sub mode.

Configuration possibilities include Main cabinets only, Main + Bass, Main + Sub, Main + Bass + Sub. The wide operating frequency range of the STMi M46 main cabinets means that many speech or light music events can be run effectively with M46 alone, thereby removing the need for any extra cabinets. If programme material calls for low frequency extension, the 25-120Hz range of the STMi S118 sub and the 55-200Hz range of the STMi B112 bass offer the user complete freedom when configuring the system to achieve the desired frequency response or power.



Specific rigid fixed-installation rigging system with no moving parts.



STMi S118 Sub Module

NEXO

STMi



NEXO is one of the world's leading sound reinforcement loudspeaker manufacturers. Founded in 1979, the company is dedicated to crafting practical solutions with solid engineering. Each new design begins with a proprietary sophisticated computer simulation process that allows every parameter to be extensively modeled and simulated, leading to breakthrough cost and performance gains. NEXO's comprehensive product line includes loudspeakers, analogue and digital control electronics and amplification; all designed to deliver consistent sound quality and long term reliability for a broad range of applications.

NEXO S.A.
Parc d'Activité
du Pré de la Dame Jeanne
B.P. 5
60128 PLAILLY
Tel: +33 (0) 3 44 99 00 70
Fax: +33 (0) 3 44 99 00 30
e-mail: info@nexo.fr

NEXO LatAm
Tel: +1 305 677 9322
Fax: +1 360 234 7870
e-mail: info@nexo.fr

NEXO Asia
GPO Box 806
Hong Kong
SAR China
Tel: +852 9096 3472
Fax: +852 2104 3214
e-mail: info@nexo.fr

NEXO
www.nexo.fr

STMi S118 with NXAMP 4x4

Frequency Response [a]	27Hz – 85Hz ±3dB
Usable Range @-6dB [a]	23Hz – 100Hz
Sensitivity 1W @ 1m [b]	109dB SPL Nominal
Nominal Peak SPL @ 1m [b]	143dB Peak
Nominal Impedance	16Ω (12 Ω min)
Amplified Controller	NXAMP4x4 - 3xSTM S118 in parallel on 2 NXAMP4x4 bridged channels - 8000W/4Ω

PRODUCT FEATURES

Components :	LF: 1 x 18" (46cm) 3000W high excursion Neodymium 16 Ohms driver.
Height x Width x Depth	700 x 575 x 715 mm – 27.56" x 22.64" x 28.15"
Weight : Net	85kg – 187lbs
Connectors	2 x NLT4-MDV Speakon 4 poles (in/out)
Construction	Baltic birch ply finished with structured black coating
Fittings:	Handles 6 handles (3 per side)
	Front Perforated Dark Grey Metal Grille
	Rigging Integral 3 points flying

SYSTEM OPERATION

Electronic Controller	The NEXO NXAMP4x4 presets are precisely matched to the STM Series cabinets and include sophisticated protection algorithms. Using STM Series cabinets without a properly connected NEXO NXAMP4x4 will result in poor sound quality and can damage components.
Speaker Cabling	1-/+ : SUB - 2-/2+ : LF

As part of a policy of continual improvement, NEXO reserves the right to change specifications without notice.

[a] Response curves & data : Half-Space Far Field for the STM S118 & B112 + NXAMP4x4.

[b] Sensitivity & Peak SPL data : these will depend on spectral distribution and crest factor of program material. Measured with band limited Pink Noise. Data are for speaker + amplified controller. Peak SPL is at clipping of NXAMP4x4.

[c] Directivity curves & data : obtained by computer treatment on off axis response curves.

E&OE January 2013.

LIMITED WARRANTY

NEXO loudspeakers and electronics are covered against defects in workmanship or materials for a period of two (2) years from the original date of purchase. At the option of NEXO the defective item will be repaired/replaced with no charge for materials/labour. The item is to be adequately packaged and dispatched, pre-paid, to a NEXO authorised distributor/service centre. Unauthorised repair shall void the warranty. The NEXO warranty does not cover cosmetics or finish and does not apply to any items which in NEXO's opinion have failed due to used abuse, accidents, modifications or any type of misuse. All images and text herein are the property of NEXO SA, and deemed accurate, although specifications are subject to change without notice.