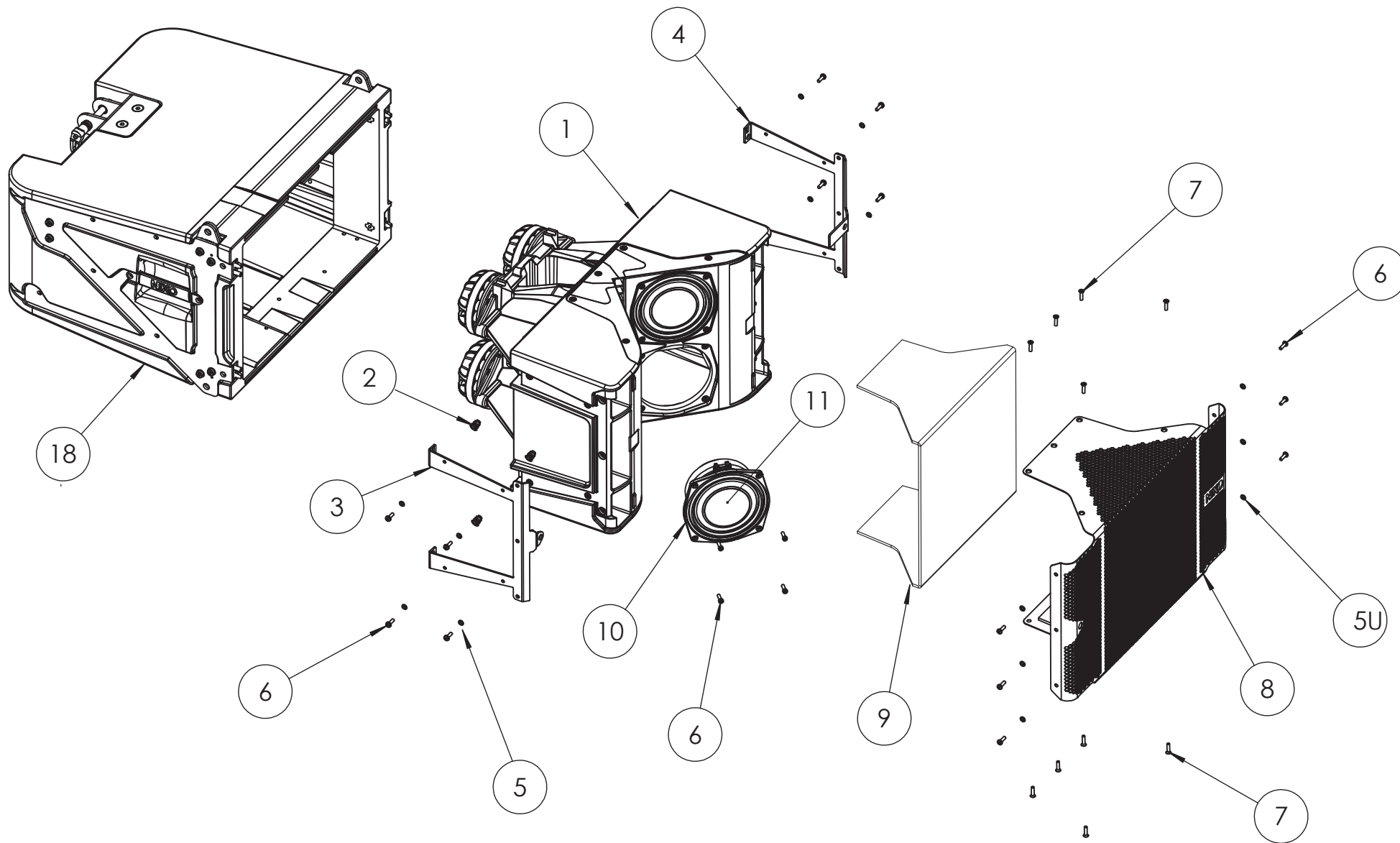
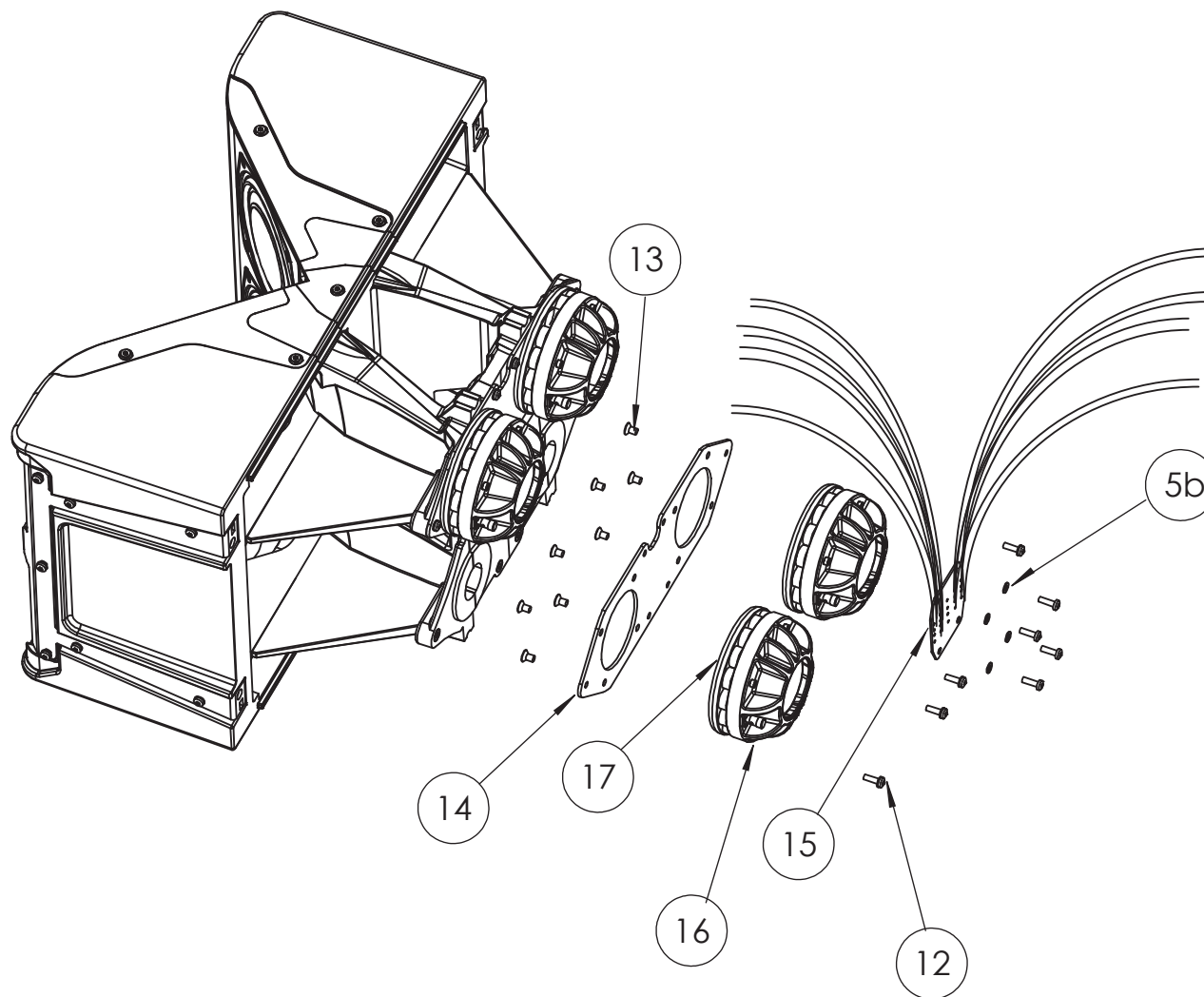


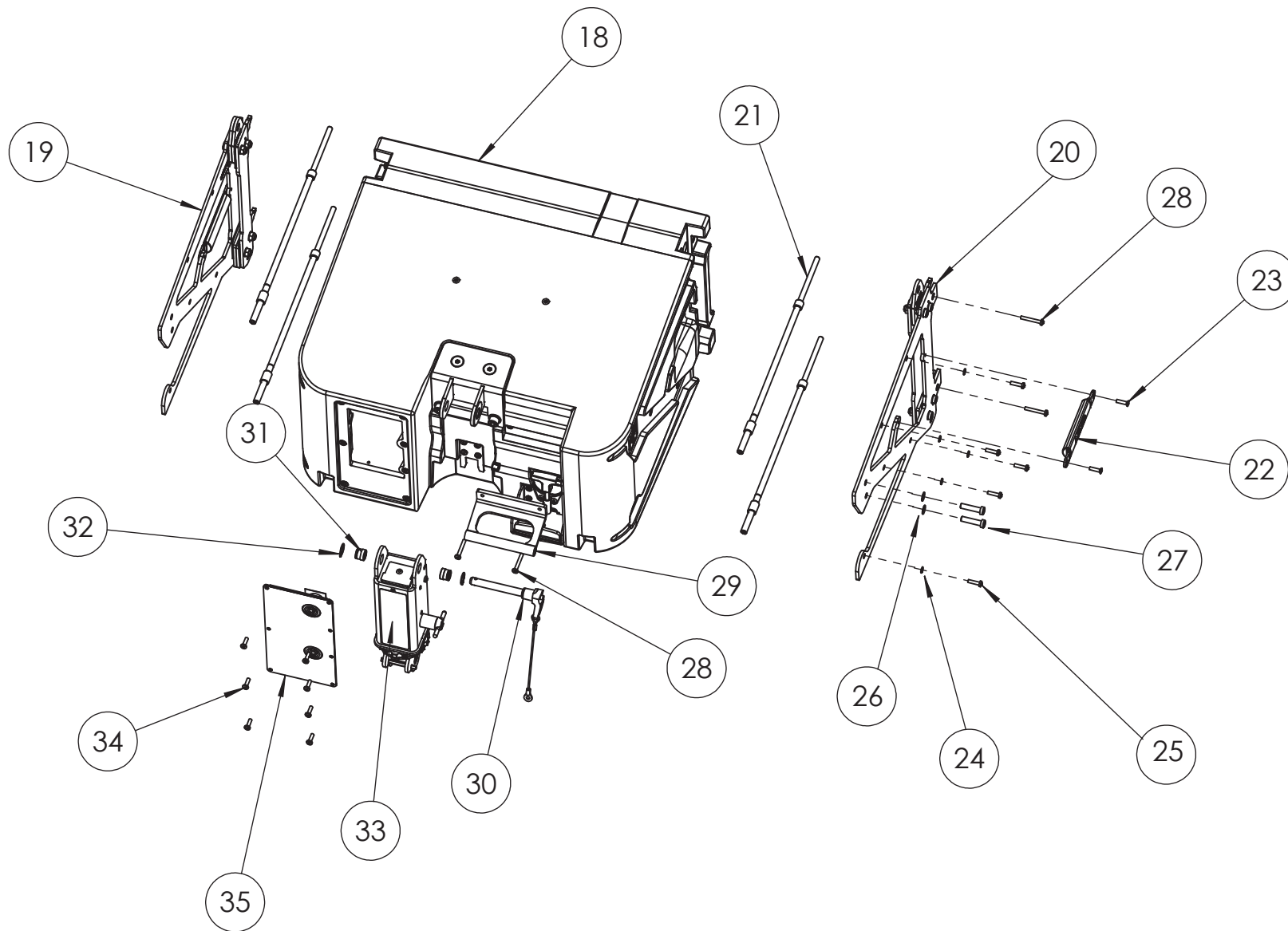
NEXO

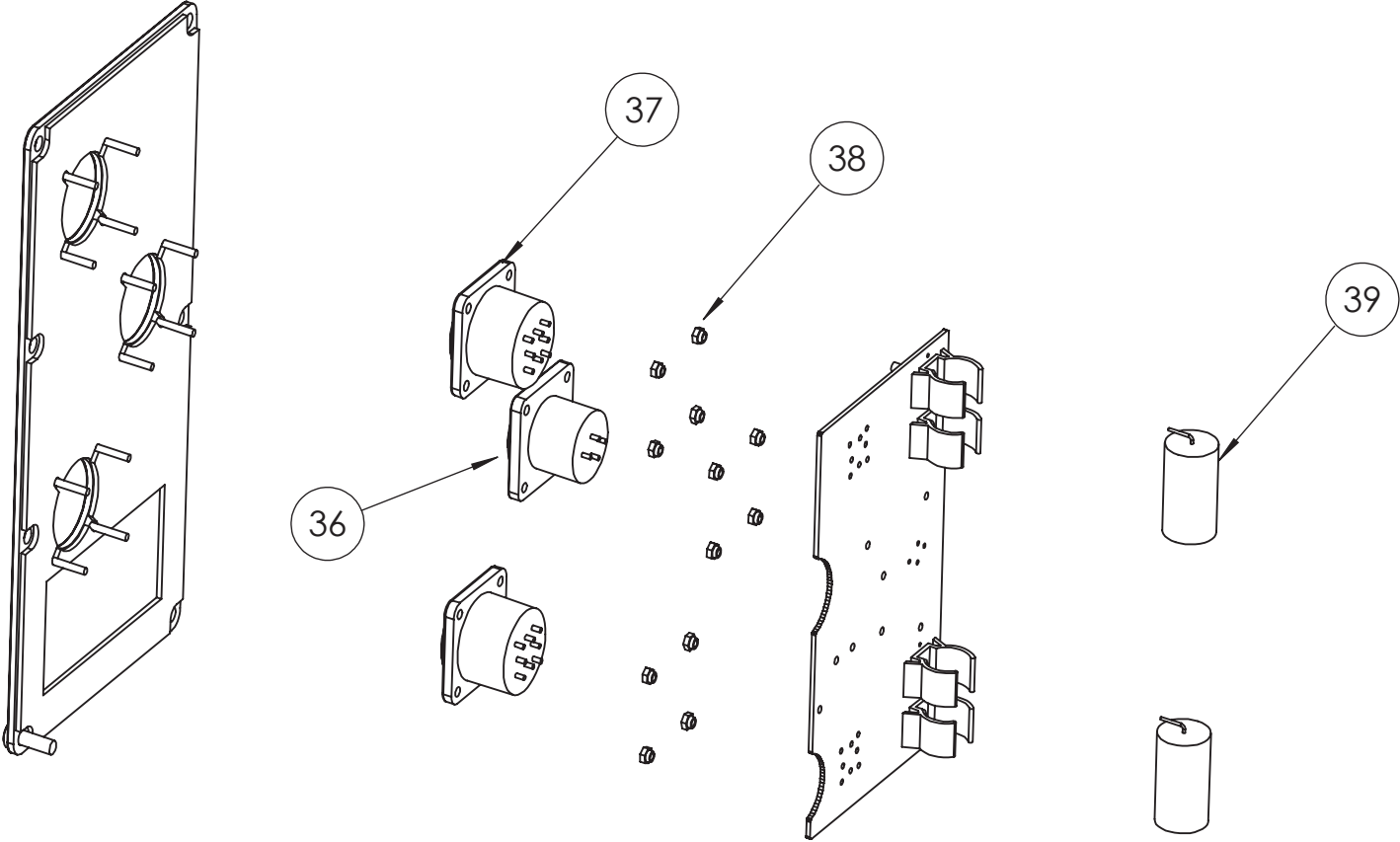
STM
M46











MARK	QUANTITY	ASSEMBLY	SUB ASSEMBLY	PART REFERENCE	DESIGNATION
STM.M46					
1	1	05STM.M46CAV		05STM.M46CAV	STM M46 FRONT SHELL COMPLETE
2	8			05INSERCRM5X13	WOOD INSERT M5x13 (x10)
3	1			05STMLMAV-L	FRONT LEFT RIGGING STM (B112/M46)
4	1			05STMLMAV-R	FRONT RIGGING RIGGING STM (B112/M46)
5a	14			05VRA10ZN	BLACK WASHER 5X10 (x10)
5b	4			05VRA10ZN	BLACK WASHER 5X10 (x10)
6	14			05VXTCBX516N	BLACK TORX BUTTON HEAD SCREW 5X16 (x10)
7	10			05VXTCFX516N	BLACK TORX BUTTON HEAD SCREW 5X16 (x10)
8	1			05STM.M46UA	STM M46 COMPLETE GRILL
9	1			05MBULPEM46	STM M46 FOAM
10	4			05HPM6-F	STM 6.5" MID RANGE SPEAKER
11	4			05HPM6-FR/K	HPM6-F RECONE KIT
12	12			05VXTCFX516N	BLACK TORX BUTTON HEAD SCREW 5X16 (x10)
13	8			05VXTCFX610	TORX FLAT HEAD SCREW 6X10 (x10)
14	2			05AMSTMHFV2	STM SUPPORT FOR 2 DRIVERS
15	1			05CNXSTMM46	STM PCB DISPATCH
16	4			05HPA14F-16	DRIVER 1.4" 16 OHM
17	4			05NH14-F16R/K	HPA14F-16 DIAPHRAGM
18	1	05STM.M46CAR		05STM.M46CAR	STM M46 BACK SHELL COMPLETE
19	1			05STM-RGBOX-R	RIGHT RIGGING STM (B112/M46)
20	1			05STM-RGBOX-L	LEFT RIGGING STM (B112/M46)
21	4			05STM-LINK	LINK SHELL
22	2			05AMPNEXO	HANDLE NEXO
23	4			05VXTCFX516N	BLACK TORX FLAT HEAD SCREW 5X16 (x10)
24	10			05VRA510ZN	BLACK WASHER 5X10 (x10)
25	10			05VXTCBX520N	BLACK TORX BUTTON HEAD SCREW 5X20 (x10)
26	4			05VRX8-ND	BLACK SPRING WASHER M8
27	4			05VXTCHC835RN	BLACK CHC SCREW 8X35 (x10)
28	6			05VXTCBX535N	BLACK TORX BUTTON HEAD SCREW 525 (x10)
29	1			05AMPOI120-2	HANDLE
30	1			05BALLOCK12-80	QUICK RELEASE PIN 12-80 WITH SLING
31	2			05AMUPBZ	STAINLESS STEEL BEARING
32	2			05VCIRC17X1	CIRCLIP 17X1
33	1			05STMRGAR	REAR RIGGING - PISTON
34	7			05VXTCBX516N	BLACK TORX BUTTON HEAD SCREW 5X16 (x10)
35	1		05STMM46-FPC	05STMM46-FPC	CONNECTION PLATE M46
36	1			05CNXNLT4MDV-1	SPEAKON NLT4 M D V
37	2			05CNXNL8MD-V	SPEAKON NL8 M D V
38	12			05VNYLST2.5	NUTS WITH POLYAMID INSERT M2.5
39	2			05FCNP6.8	CAPACCITOR 6.8uF MKP 400V