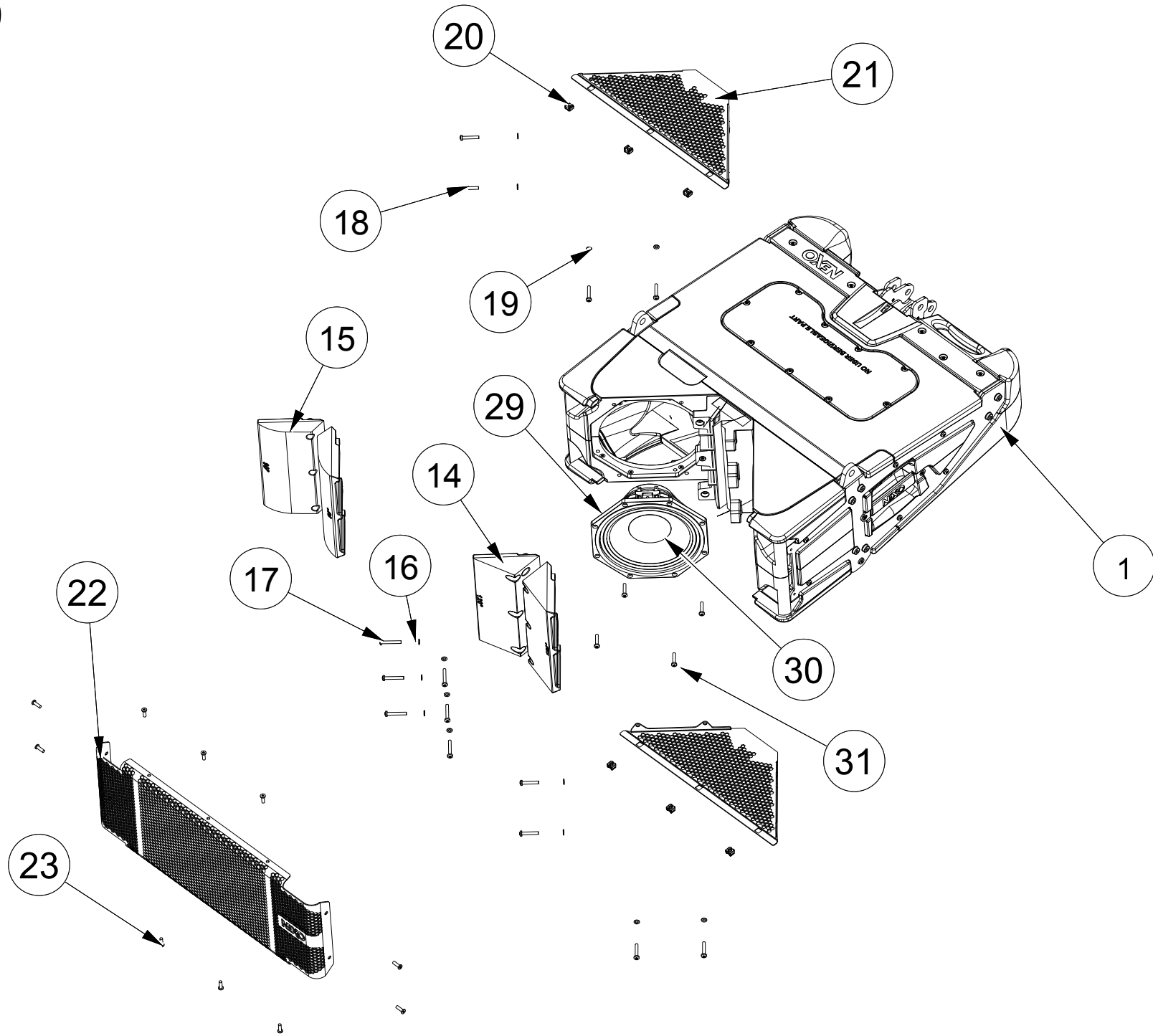
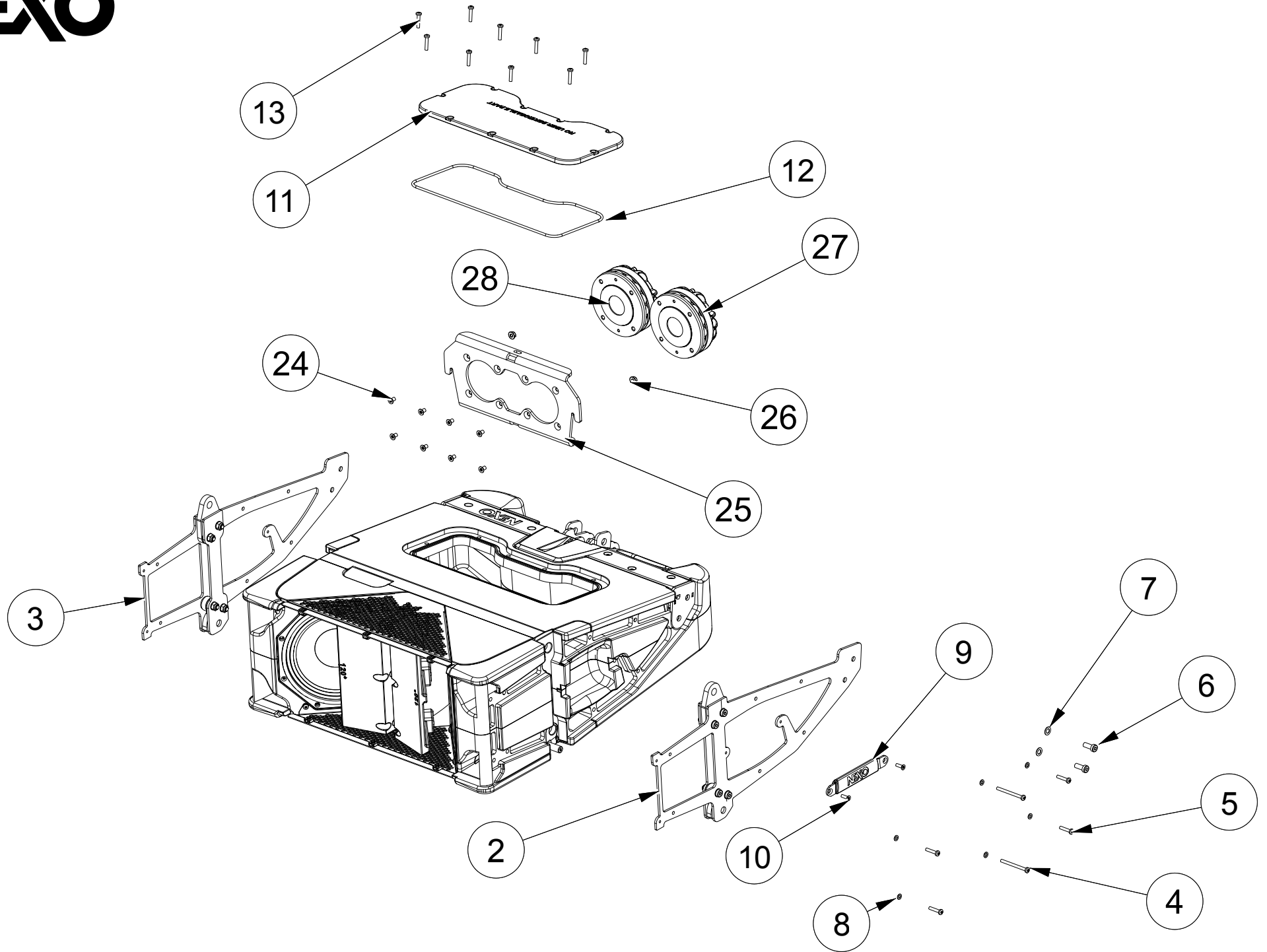




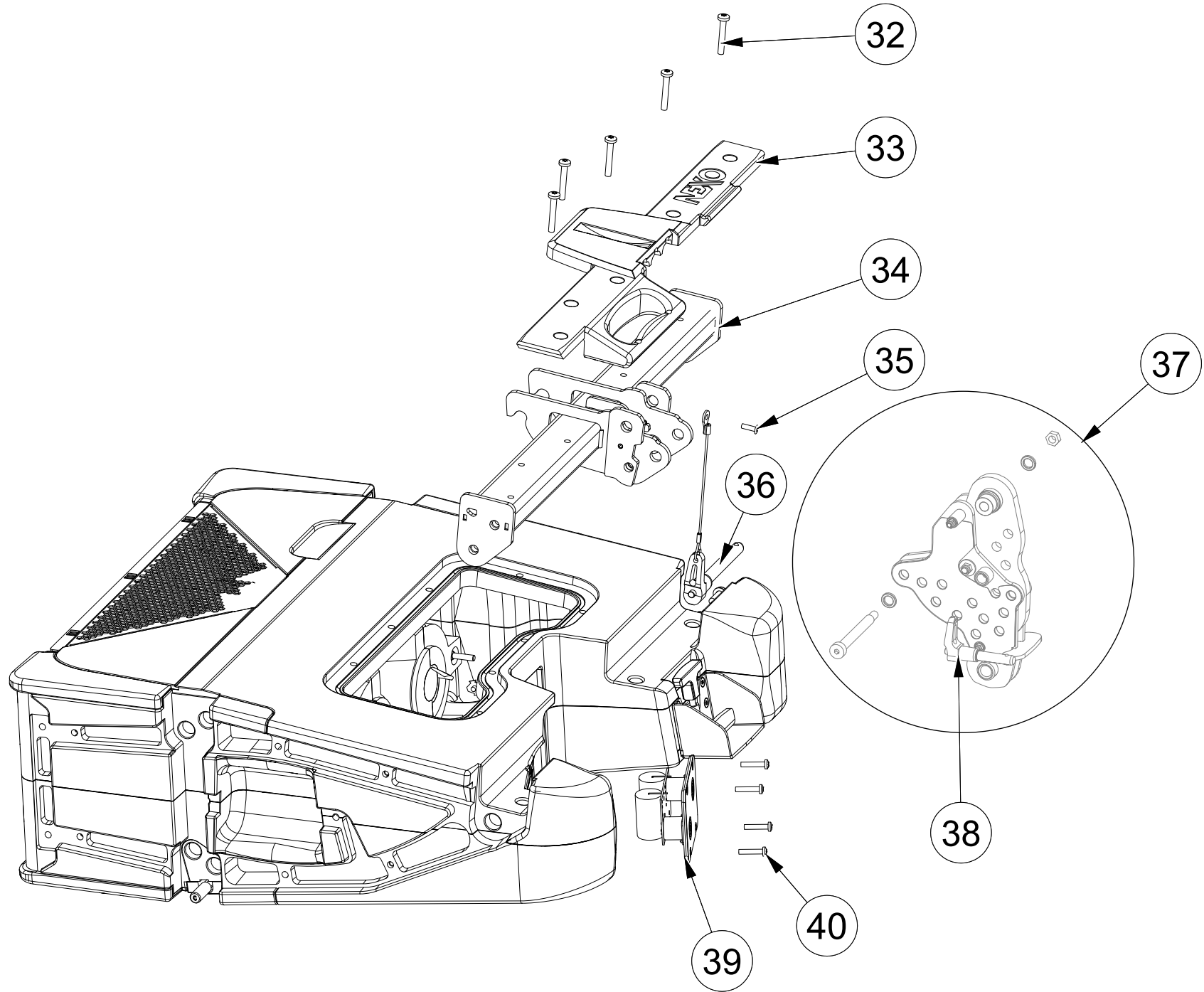
# NEXO

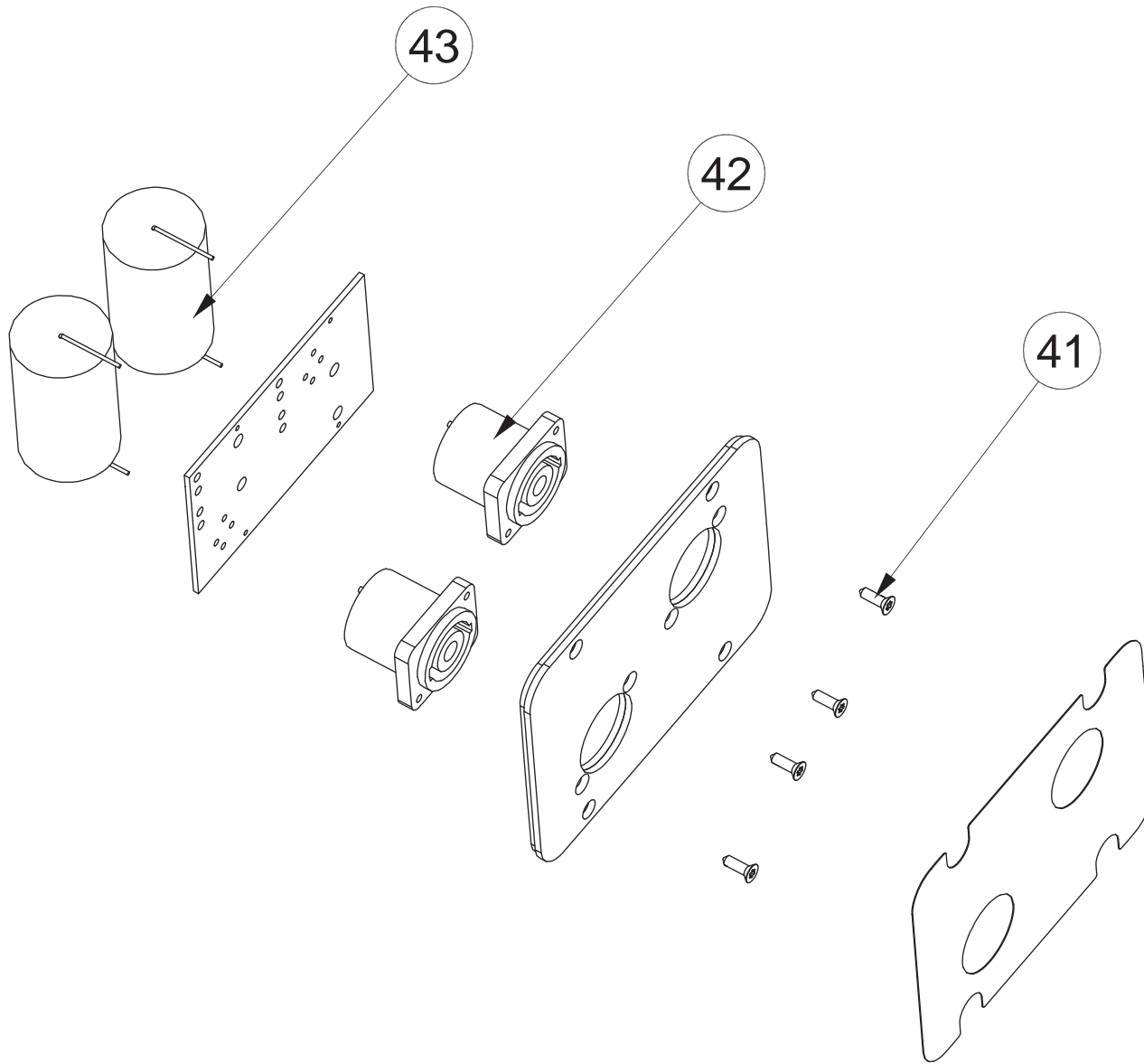


# NEXO



# NEXO





MARK	QUANTITY	ASSEMBLY	SUB ASSEMBLY	PART REFERENCE	DESIGNATION
<b>STM.M28</b>					
1	1	05STM.M28CP		05STM.M28CP	STM M28 CABINET + ACCESSOIRES
2	1			05STM-M28RGB-ER	RIGHT RIGGING STM M28
3	1			05STM-M28RGB-EL	LEFT RIGGING STM M28
4	4			05VXTCBX560N-EM	BLACK TORX BUTTON HEAD SCREW 5X60. LOCTITE MEDIUM (x10)
5	8			05VXTCBX525N-EM	BLACK TORX BUTTON HEAD SCREW 5X25. LOCTITE MEDIUM (x10)
6	4			05VXTCHC820RN-EM	BLACK CHC SCREW 8X20. LOCTITE MEDIUM (x10)
7	4			05VRA8N	BLACK WHASHER M8 (x10)
8	12			05VRA510ZN	BLACK WASHER 5X10 (x10)
9	2			05AMPNEXO	NEXO HANDLE
10	4			05VXTCFX516N-EM	BLACK TORX FLAT HEAD SCREW 5X16. LOCTITE MEDIUM (x10)
11	1			05PM28TRAP	M28 COVER
12	1			05JNEOTPJ958	M28 GASKET COVER
13	9			05VXTCBX525N-EL	BLACK TORX BUTTON HEAD SCREW 5X25. LOCTITE LIGHT (x10)
14	2			04PFLANGEM28-120	M28 120 DEGREE FLANGE (x1)
15	2			04PFLANGEM28-90	M28 90 DEGREE FLANGE (x1)
16	6			05VRA510ZN	BLACK WASHER 5X10 (x10)
17	6			05VXTCBX535N-EL	BLACK TORX BUTTON HEAD SCREW 5X35. LOCTITE LIGHT (x10)
18	8			05VXTCBX530N-EM	BLACK TORX BUTTON HEAD SCREW 5X30. LOCTITE MEDIUM (x10)
19	8			05VRA510ZN	BLACK WASHER 5X10 (x10)
20	6			05VECRM5	CAGE NUT M5 (x10)
21	2			05STM.M28DLT-A	M28 DELTA GRILL
22	1			05STM.M28AV-A	M28 FRONT GRILL COMPLETE
23	10			05VXTCPX516N	BLACK TORX SHORT HEAD SCREW 5X16 (x10)
24	6			05VXTCFX610-EM	BLACK TORX FLAT HEAD SCREW 6X10. LOCTITE MEDIUM (x10)
25	1			05AMSTMHFM28	M28 DRIVERS PLATE
26	2			05VECRM6EB	HEXAGONAL FLANGE NUTS M6
27	2			05HPA14F-16	DRIVER 1.4" 16 OHM
28	2			05NH14-F16R/K	HPA14F-16 DIAPHRAGM
29	2			05HPB8ND-HF	BASS DRIVER 8" 16OHM
30	2			05N8HF-16R/K	RECONE KIT FOR HPB8ND-HF
31	8			05VXTCBX525N-EM	BLACK TORX BUTTON HEAD SCREW 5X25. LOCTITE MEDIUM (x10)
32	5			05VXTCBX640N-EM	BLACK TORX BUTTON HEAD SCREW 6X40. LOCTITE MEDIUM (x10)
33	1			05PM28CATAR	M28 BACK HANDLE
34	1			05AMM28TBC	M28 RIGGING TUBE
35	1			05VRIV516	ALUMINIUM RIVET 5X16 (x10)
36	1			05BALLOCK12-80	QUICK RELEASE PIN 12-80 WITH SLING

37	1		05STM.M28-RGAR	05STM.M28-RGAR	M28 REAR RIGGING COMPLETE
38	1			05BALLOCK10-30E	QUICK RELEASE PIN 10-30 WITH SLING
39	4		05STM.M28-FPC	05STM.M28-FPC	M28 PASSIVE FILTER
40	1			05VXTCBX525N-EL	BLACK TORX BUTTON HEAD SCREW 5X25. LOCTITE LIGHT (x10)
41	4			05VXTFST2.9-9.5N	BLACK TORX FLAT HEAD SCREW 2.9X9.5 (x10)
42	2			05CNXNL4MDV-1	SPEAKON NL4MDV-1
43	2			05FCNP15	CAPACITOR 15f MKP PB 400V DC 5%