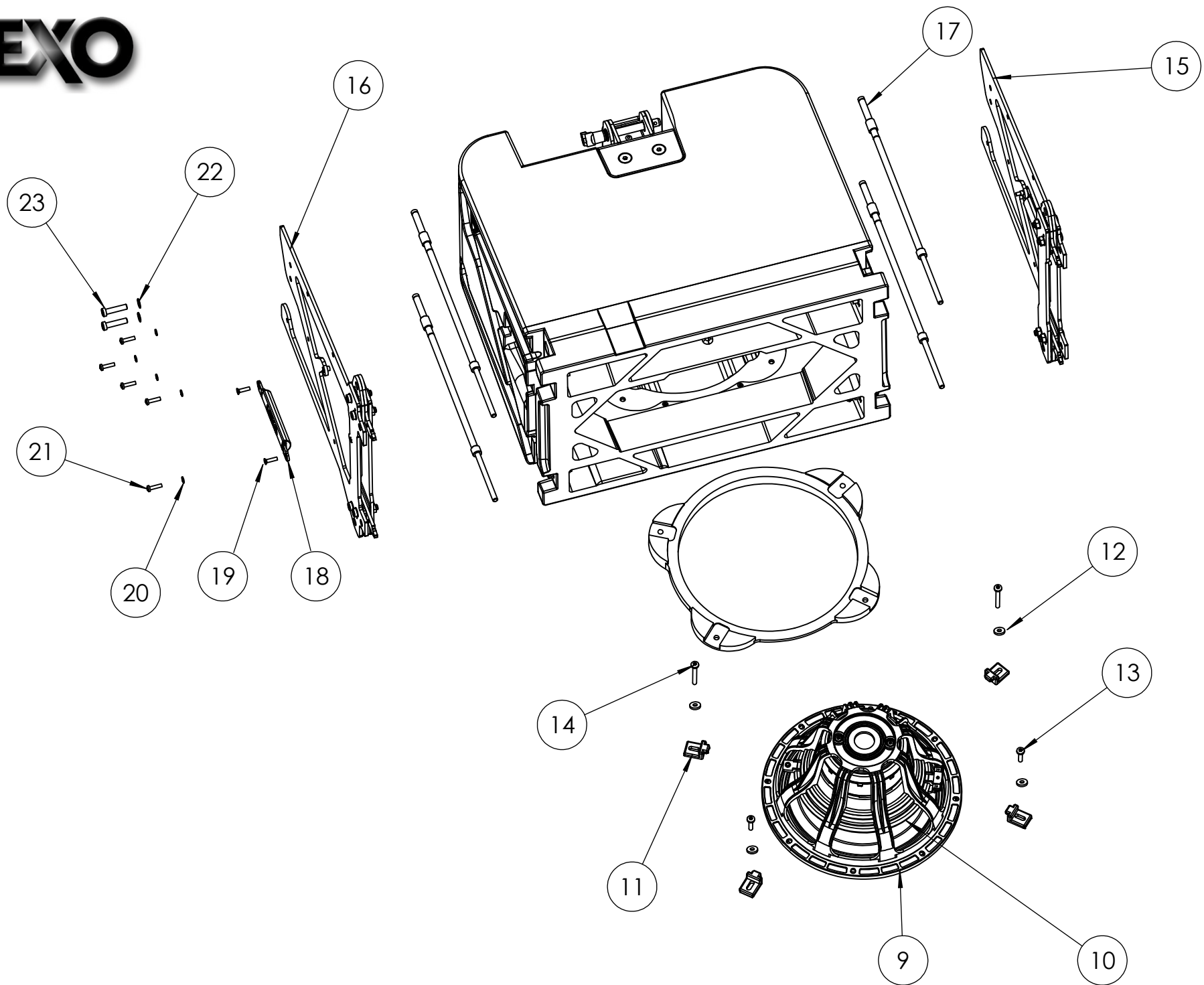
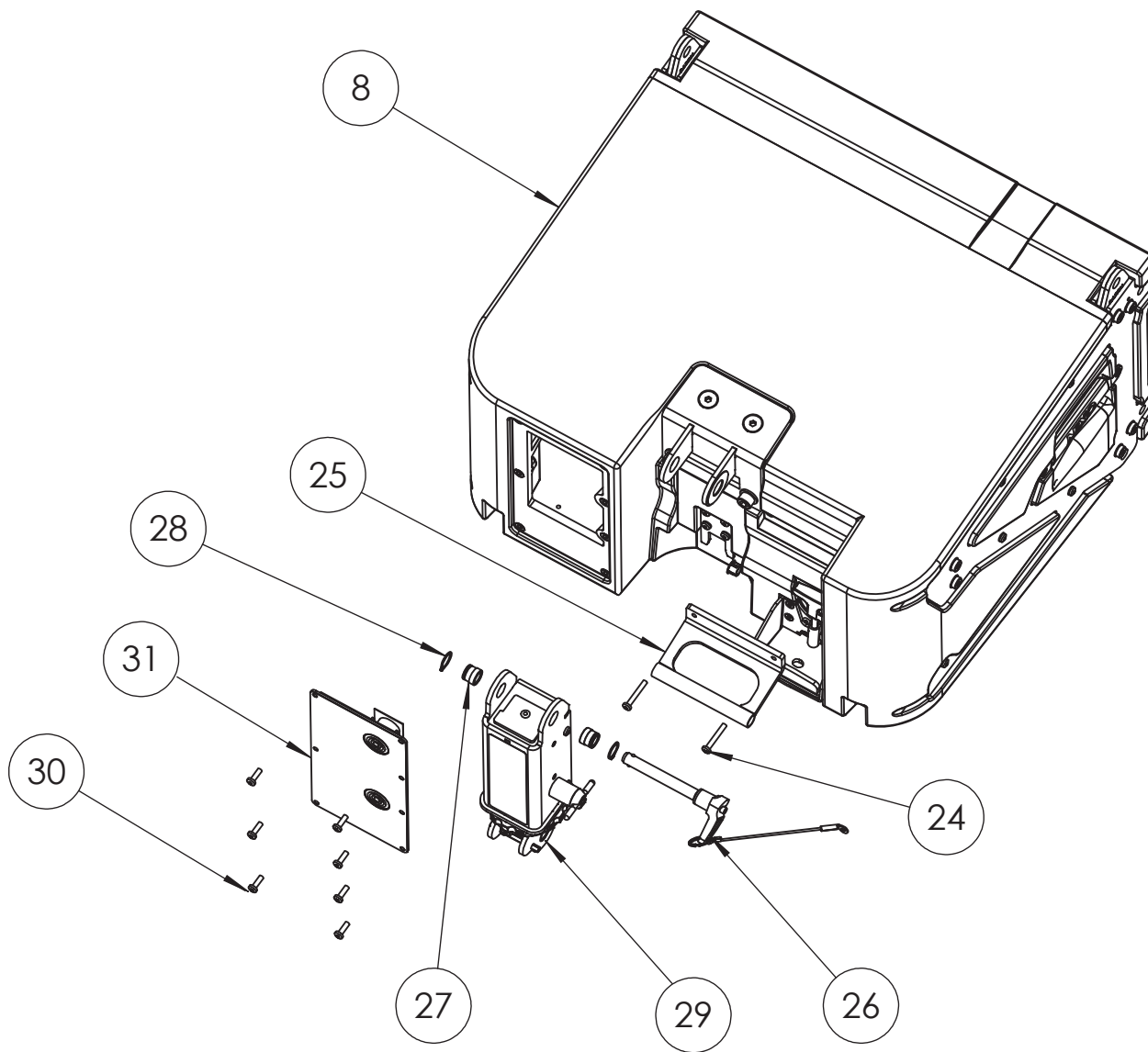




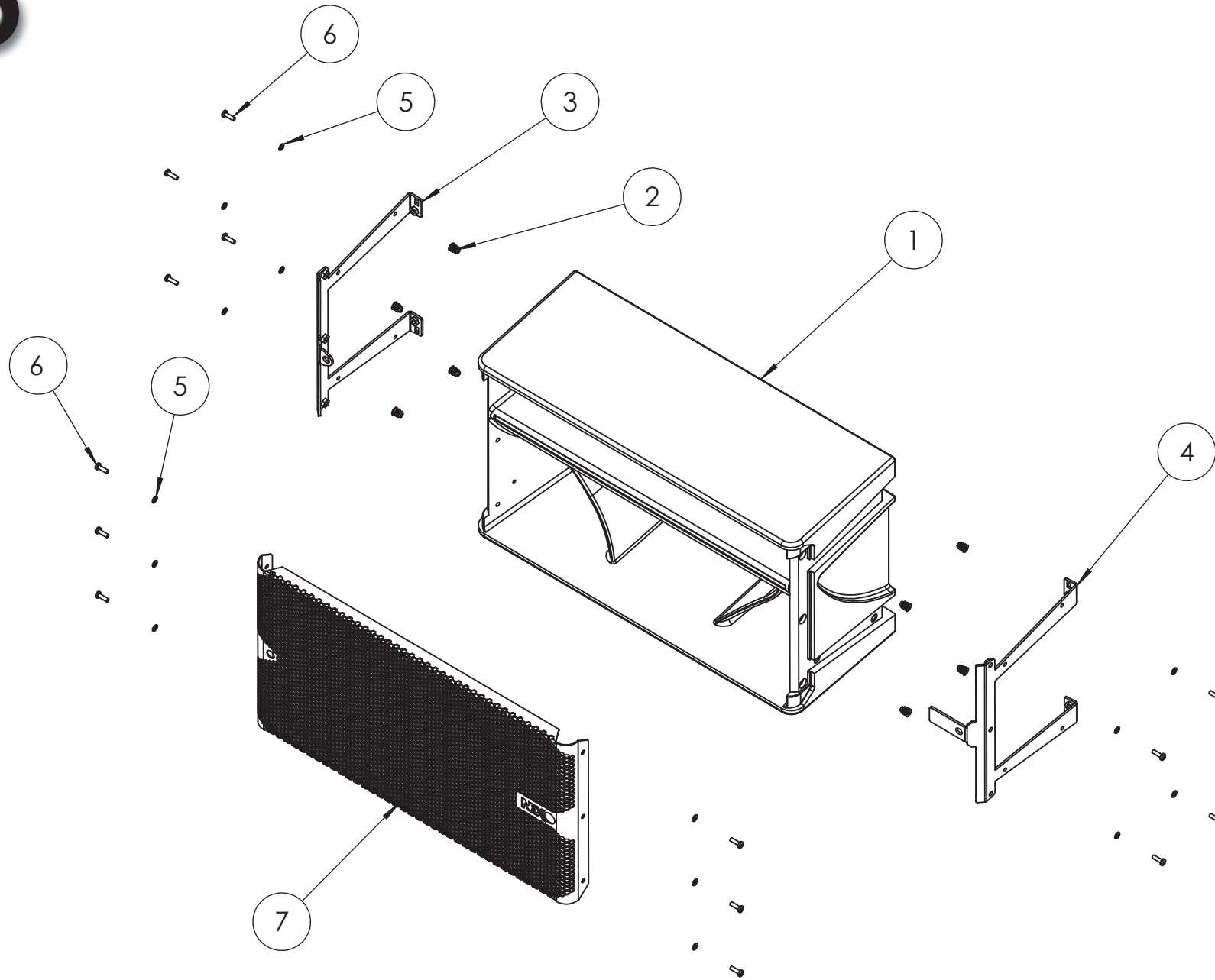
STM   
B112  
SPARE PARTS

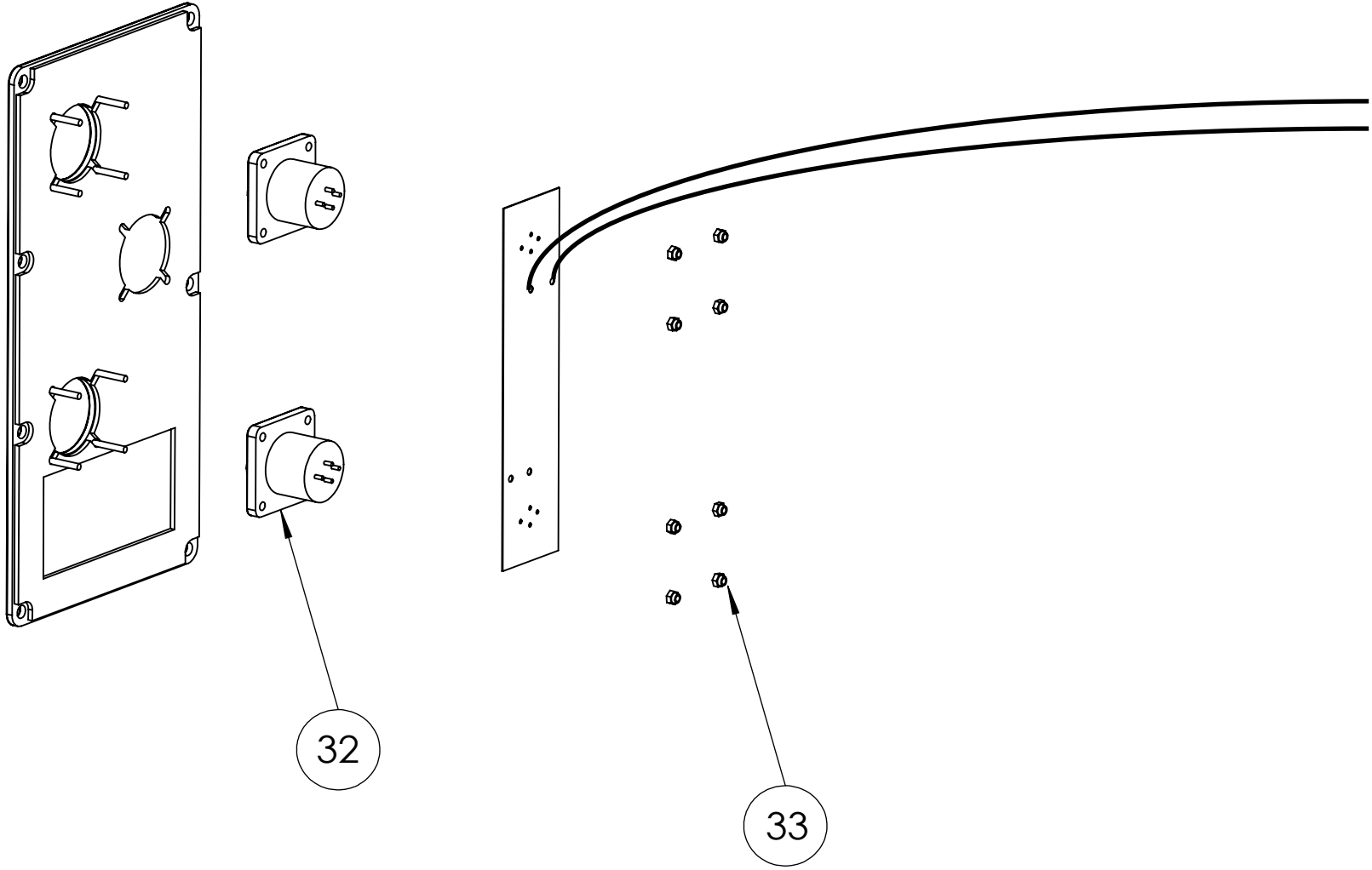
# NEXO





# NEXO





MARK	QUANTITY	ASSEMBLY	SUB ASSEMBLY	PART REFERENCE	DESIGNATION
<b>STM.B112</b>					
<b>1</b>	<b>1</b>	<b>05STM.B112CAV</b>		<b>05STM.B112CAV</b>	<b>STM B112 FRONT SHELL COMPLETE</b>
<b>2</b>	<b>8</b>			<b>05INSERCRM5X13</b>	WOOD INSERT M5x13 (x10)
<b>3</b>	<b>1</b>			<b>05STMLMAV-L</b>	FRONT LEFT RIGGING STM (B112/M46)
<b>4</b>	<b>1</b>			<b>05STMLMAV-R</b>	FRONT RIGGING RIGGING STM (B112/M46)
<b>5</b>	<b>14</b>			<b>05VRA10ZN</b>	BLACK WASHER 5X10 (x10)
<b>6</b>	<b>14</b>			<b>05VXTCBX516N</b>	BLACK TORX BUTTON HEAD SCREW 5X16 (x10)
<b>7</b>	<b>1</b>			<b>05AMGSTM-B</b>	STM B112 GRILL
<b>8</b>	<b>1</b>	<b>05STM.B112CAR</b>		<b>05STM.B112CAR</b>	<b>STM B112 BACK SHELL COMPLETE</b>
<b>9</b>	<b>1</b>			<b>05HPB12-NF16</b>	12" BASS SPEAKER 16 OHM
<b>10</b>	<b>1</b>			<b>05HPB12-NF16R/K</b>	HPB12-NF RECONE KIT
<b>11</b>	<b>4</b>			<b>05BRIDLE7011</b>	HP BRIDLE 7011
<b>12</b>	<b>4</b>			<b>05VRX6NDLCK</b>	SECURE WASHER M6
<b>13</b>	<b>2</b>			<b>05VXTCBX635</b>	TORX BUTTON HEAD SCREW 6X35 (x10)
<b>14</b>	<b>2</b>			<b>05VXTCBX650N</b>	BLACK TORX BUTTON HEAD SCREW 6X50 (x10)
<b>15</b>	<b>1</b>			<b>05STM-RGBOX-R</b>	RIGHT RIGGING STM (B112/M46)
<b>16</b>	<b>1</b>			<b>05STM-RGBOX-L</b>	LEFT RIGGING STM (B112/M46)
<b>17</b>	<b>4</b>			<b>05STM-LINK</b>	LINK SHELL
<b>18</b>	<b>2</b>			<b>05AMPNEXO</b>	HANDLE NEXO
<b>19</b>	<b>4</b>			<b>05VXTCFX516N</b>	BLACK TORX FLAT HEAD SCREW 5X16 (x10)
<b>20</b>	<b>10</b>			<b>05VRA510ZN</b>	BLACK WASHER 5X10 (x10)
<b>21</b>	<b>10</b>			<b>05VXTCBX520N</b>	BLACK TORX BUTTON HEAD SCREW 5X20 (x10)
<b>22</b>	<b>4</b>			<b>05VRX8-ND</b>	BLACK SPRING WASHER M8
<b>23</b>	<b>4</b>			<b>05VXTCHC835RN</b>	BLACK CHC SCREW 8X35 (x10)
<b>24</b>	<b>2</b>			<b>05VXTCBX535N</b>	BLACK TORX BUTTON HEAD SCREW 525 (x10)
<b>25</b>	<b>1</b>			<b>05AMPOI120-2</b>	HANDLE
<b>26</b>	<b>1</b>			<b>12BALLOCK12-80</b>	QUICK RELEASE PIN 12-80 WITH LANYARD
<b>27</b>	<b>2</b>			<b>12AMUPBZ</b>	STAINLESS STEEL BEARING
<b>28</b>	<b>2</b>			<b>12VCIRC17X1</b>	CIRCLIP 17X1
<b>29</b>	<b>1</b>			<b>05STMRGAR</b>	REAR RIGGING - PISTON
<b>30</b>	<b>7</b>			<b>05VXTCBX516N</b>	BLACK TORX BUTTON HEAD SCREW 5X16 (x10)
<b>31</b>	<b>1</b>		<b>05STMB112-C</b>	<b>05STMB112-C</b>	<b>CONNECTION PLATE B112</b>
<b>32</b>	<b>2</b>			<b>05CNXNL4MDV-1</b>	SPEAKON NL4 M D V
<b>33</b>	<b>8</b>			<b>05VNYLST2.5</b>	NUTS WITH POLYAMID INSERT M2.5