
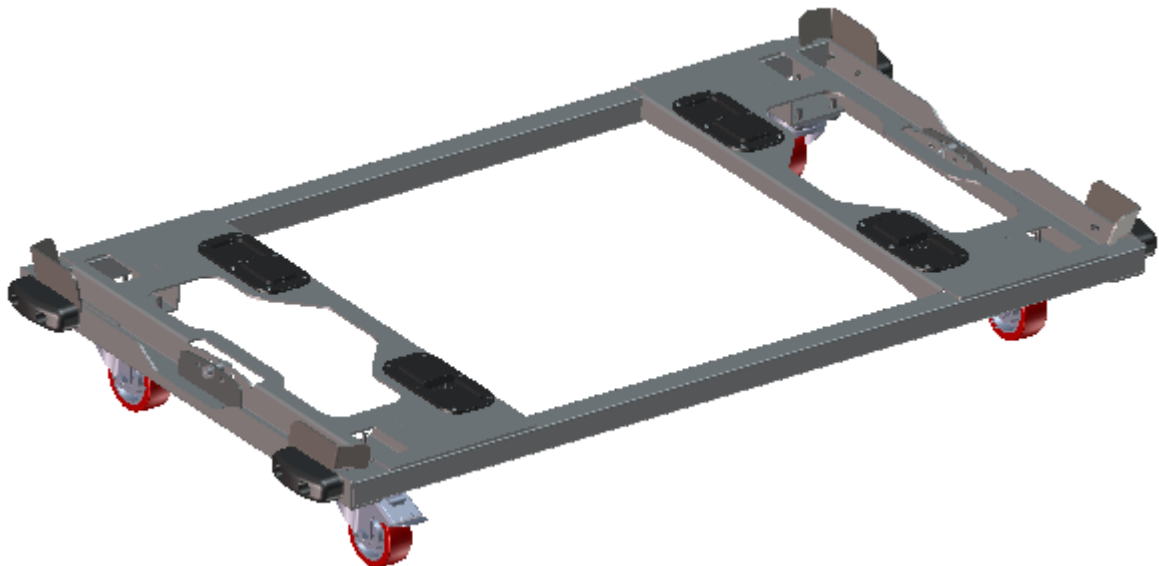
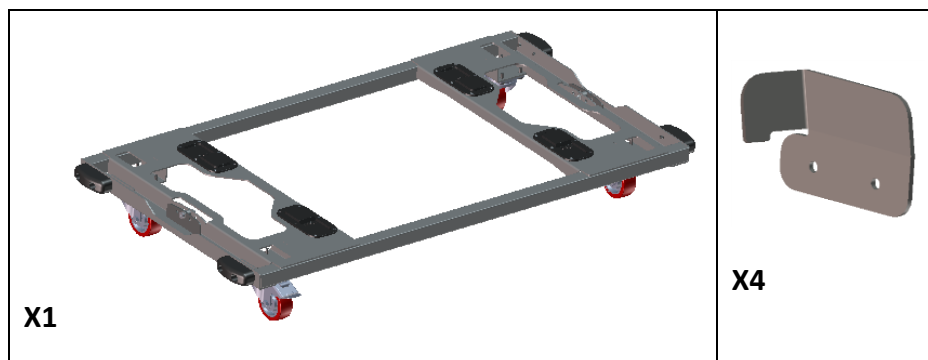


Dolly RS18

 Maximum allowed RS18 quantity to be stacked on dolly is 3.

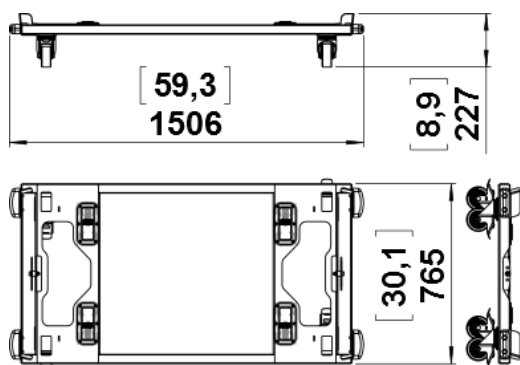


Contents:

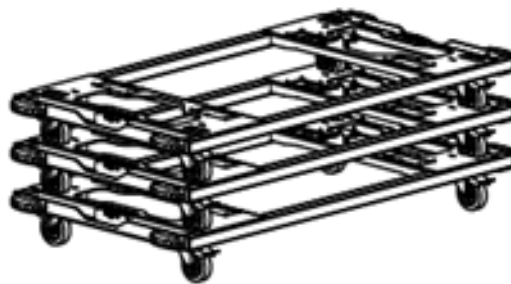


Weight: 31 kg / 68 lb

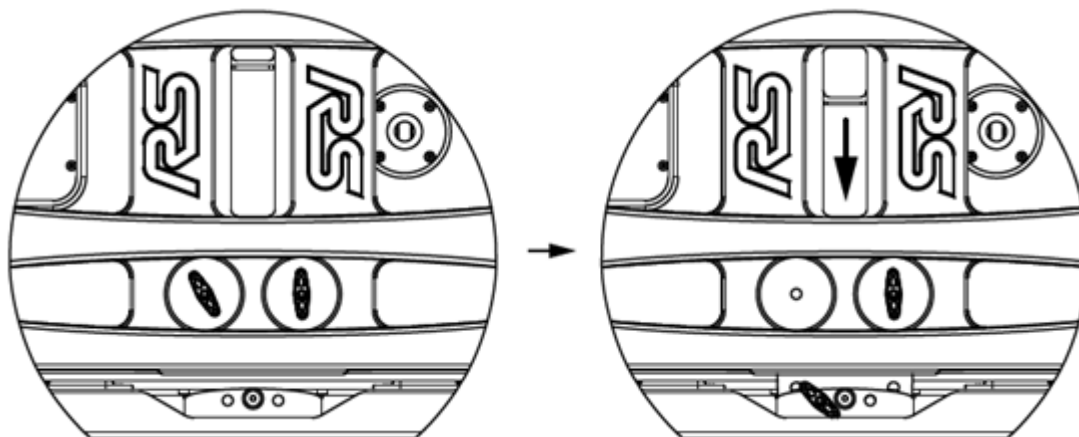
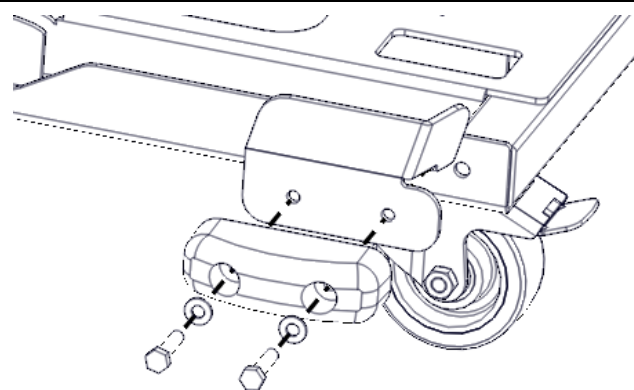
Dimensions:



Storage:



1. Dismount the rubber pad.
2. Insert the metal corner.
3. Put the rubber back and tight.
4. Repeat the steps for the others.



1. Place the first RS18 on the Dolly.
2. Push down-wards the mobile part of the rigging system right until it is on the Dolly.
3. Remove 1 of the 2 Quick Release pins from its parking position and insert it into the Dolly.
4. Secure all the RS18s by inter-locking themselves.