

**PNU-P8FLG11060**

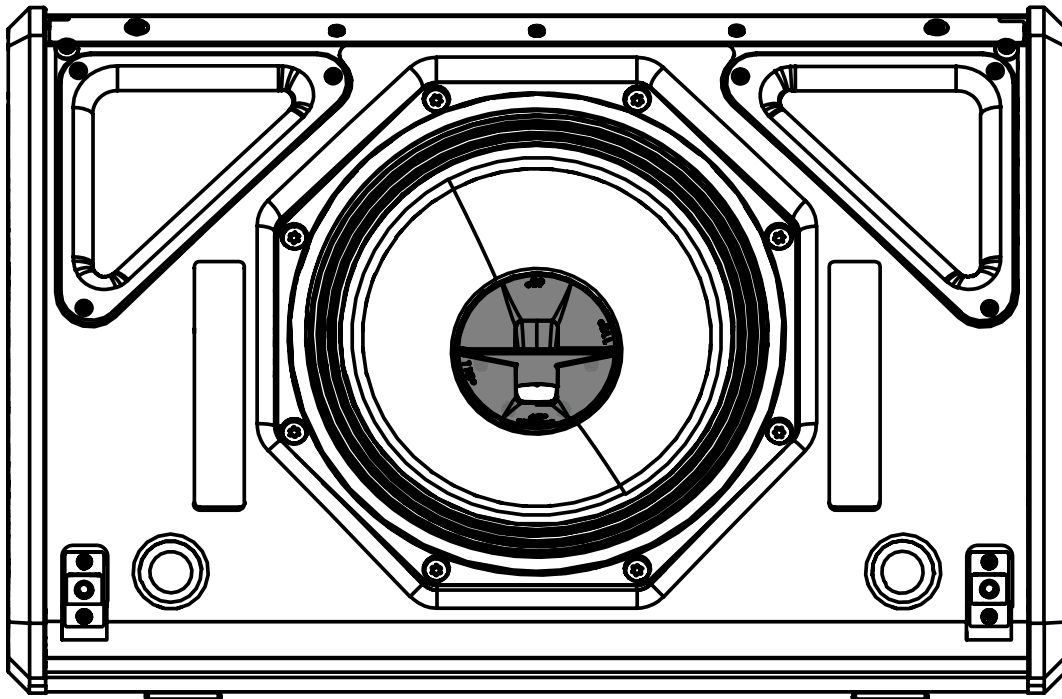
(PNT-P8FLG11060)

DP6338 - 01 - DI

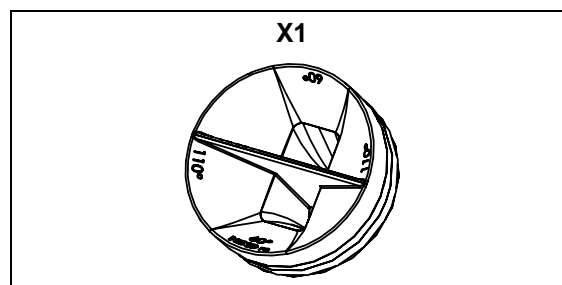
**NEXO**

**+P8**

## HF dispersion horn 110° - 60° for P8



### Contents:



**Weight: 0.1 kg / 0.2 lb**

**NEXO**

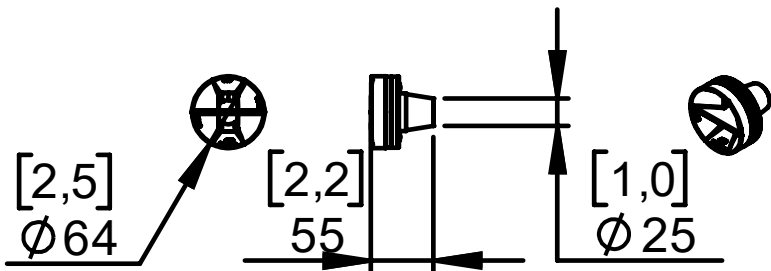
nexo-sa.com

ZA du Pre de la Dame Jeanne  
60128 PLAILLY - France

- Read this document before using.
- Keep this document.
- Observe all warnings and cautions.



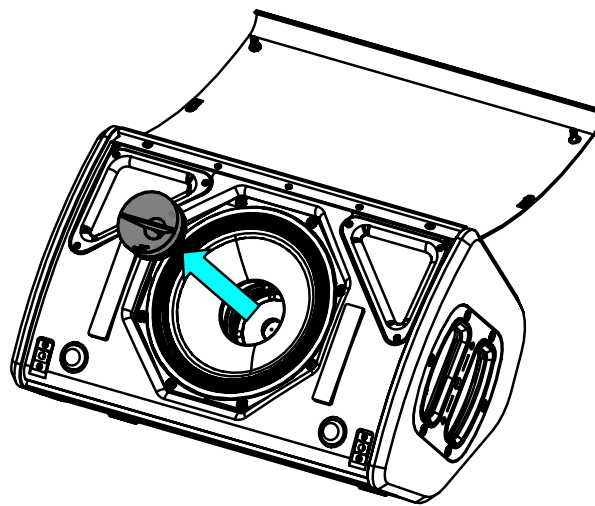
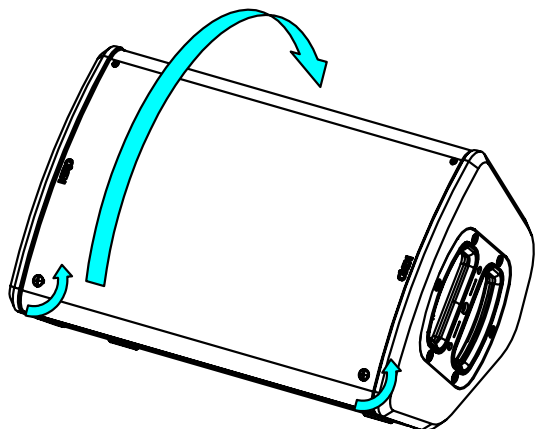
## Dimensions:



## Use:

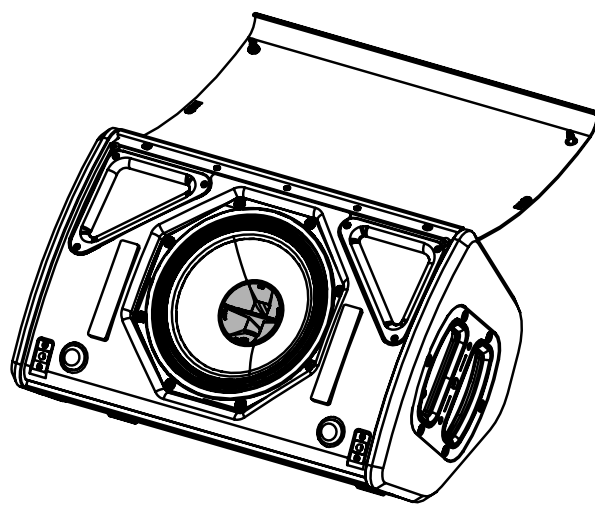
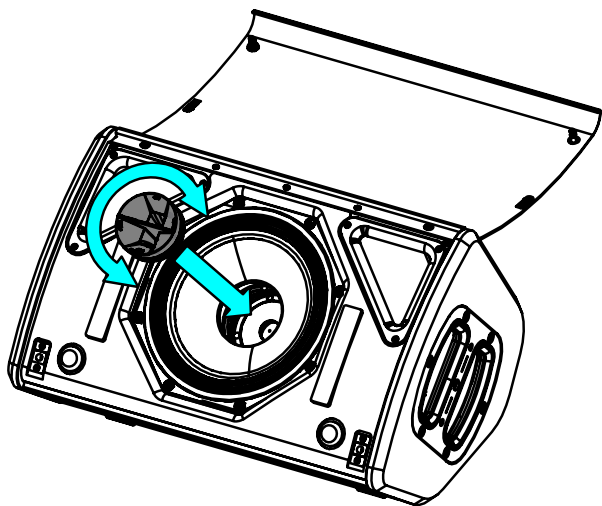
Unlock the 2 quarter-turn screws, Remove the grille.

Remove the flange to place the PNU-P8FLG11060.



If it necessary, rotate it.

Magnets keep the horn in place.



- NEXO cannot accept responsibility for accidents caused by any factor other than defects in this product itself.
- Please check the web site [nexo-sa.com](http://nexo-sa.com) for the latest update.

# NEXO

nexo-sa.com

ZA du Pre de la Dame Jeanne  
60128 PLAILLY - France

- Read this document before using.
- Keep this document.
- Observe all warnings and cautions.

