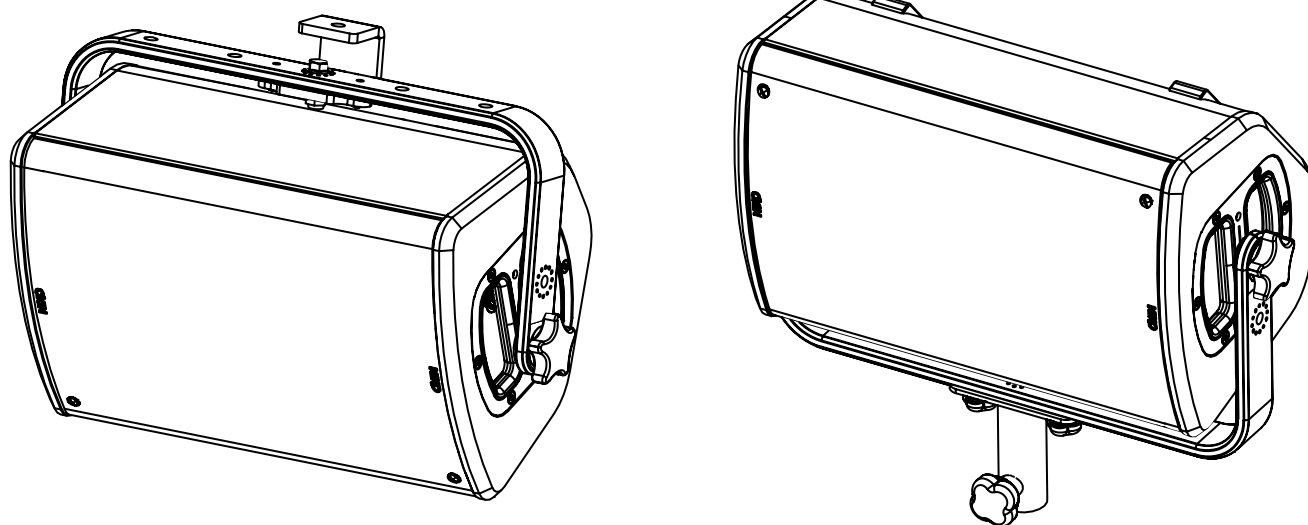
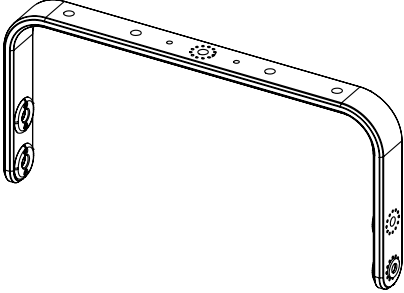
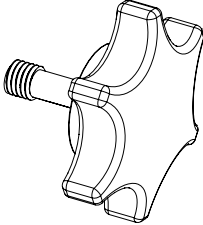
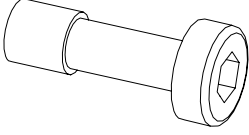
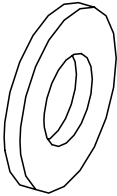


Horizontale cradle for P8



Contents:

 <p>X1</p>	 <p>X2</p>	 <p>X2</p>	 <p>X2</p>
--	---	--	---

Weight: 1.2 kg / 2.6 lb

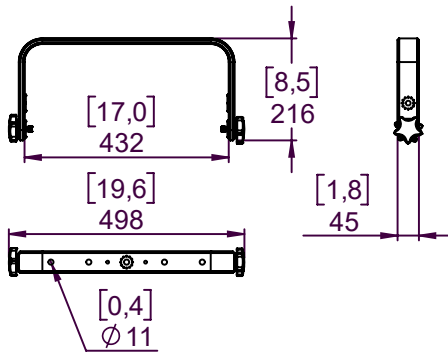


nexo-sa.com
ZA du Pre de la Dame Jeanne
60128 PLAILLY - France

- Read this document before using.
- Keep this document.
- Observe all warnings and cautions.

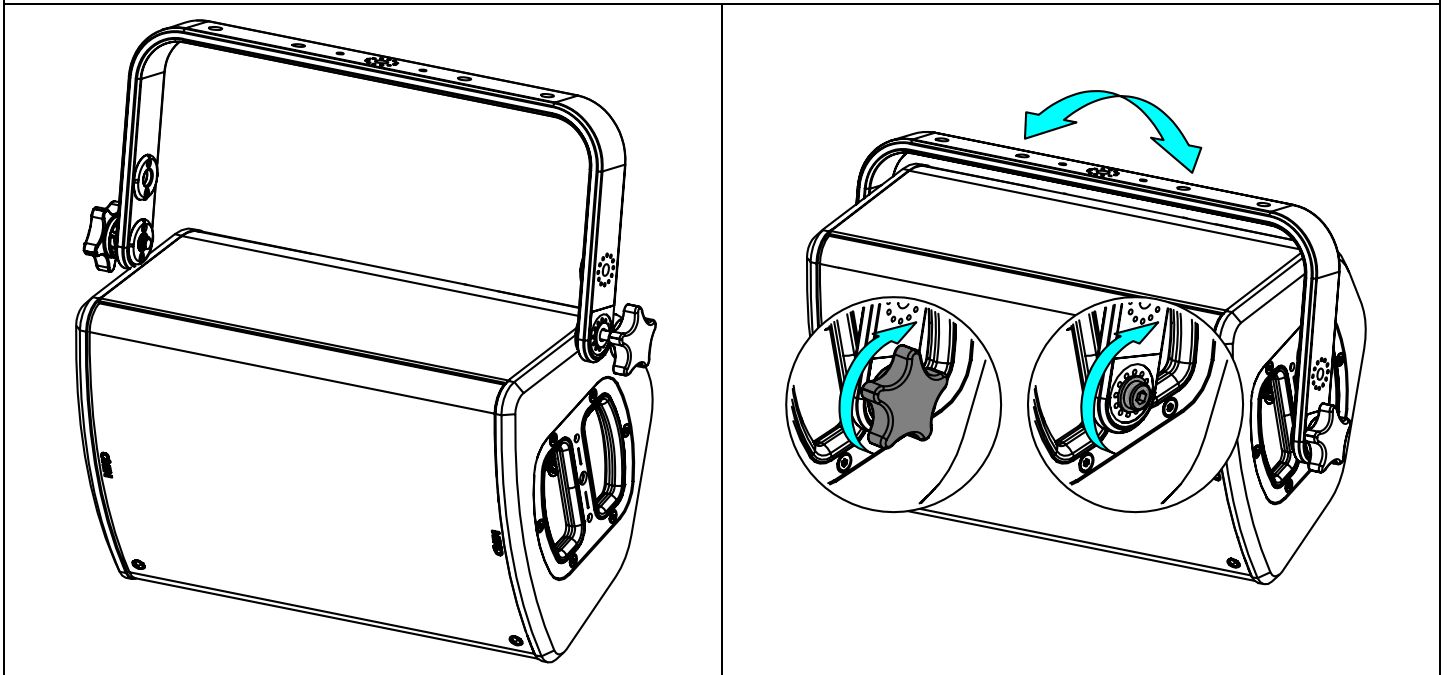


Dimensions:

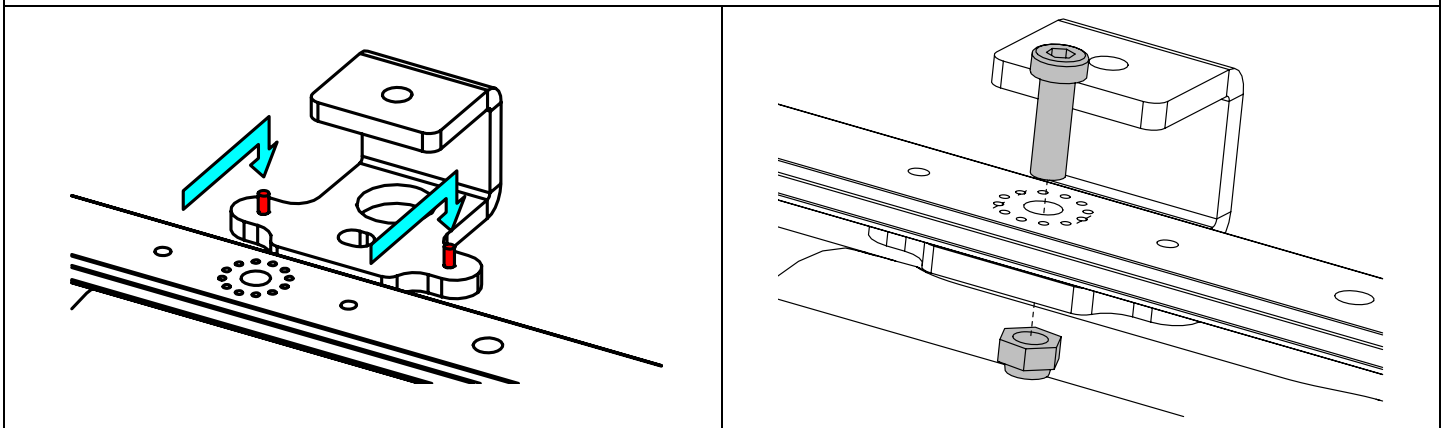


Use:

Place HBRK8 on P8, use only fasteners provided (thread lock coated screws for fixed installation). Tight properly



Place on CLADAPT, use the 2 guides. Tight with the fasteners provided with CLADAPT.



See PLADAPT Product Data Sheet for the use

- NEXO cannot accept responsibility for accidents caused by any factor other than defects in this product itself.
- Please check the web site nexo-sa.com for the latest update.

NEXO

nexo-sa.com
ZA du Pre de la Dame Jeanne
60128 PLAILLY - France

- Read this document before using.
- Keep this document.
- Observe all warnings and cautions.

