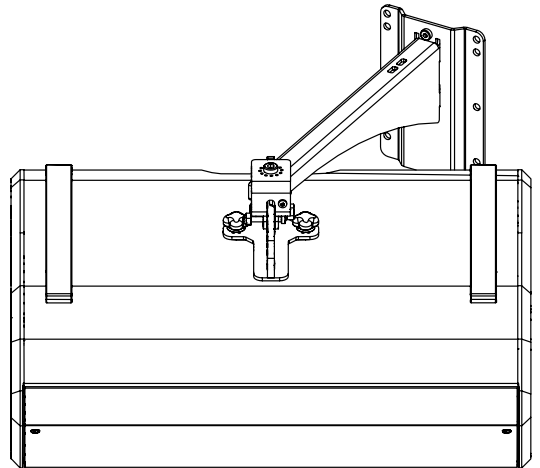
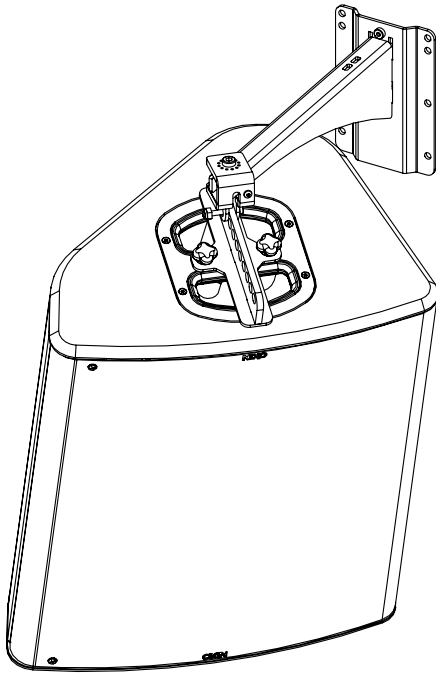
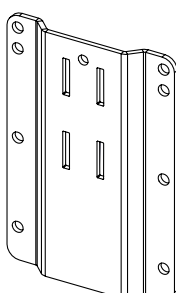
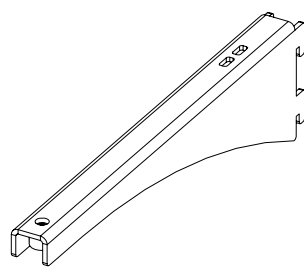
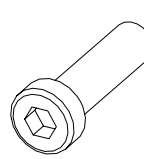



## Wallmount for P15

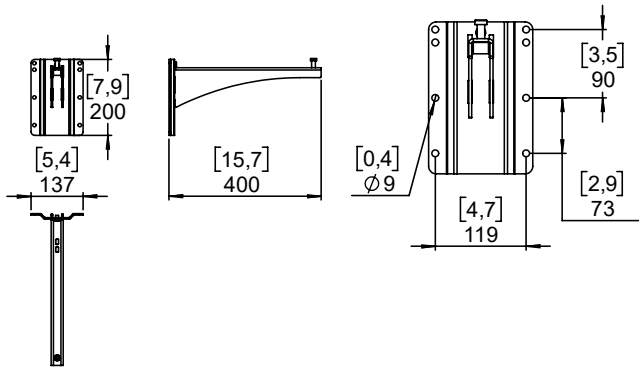


### Contents:

<p>X1</p> 	<p>X1</p> 	<p>X1</p> 	<p>X1</p> 
---	---	--	---

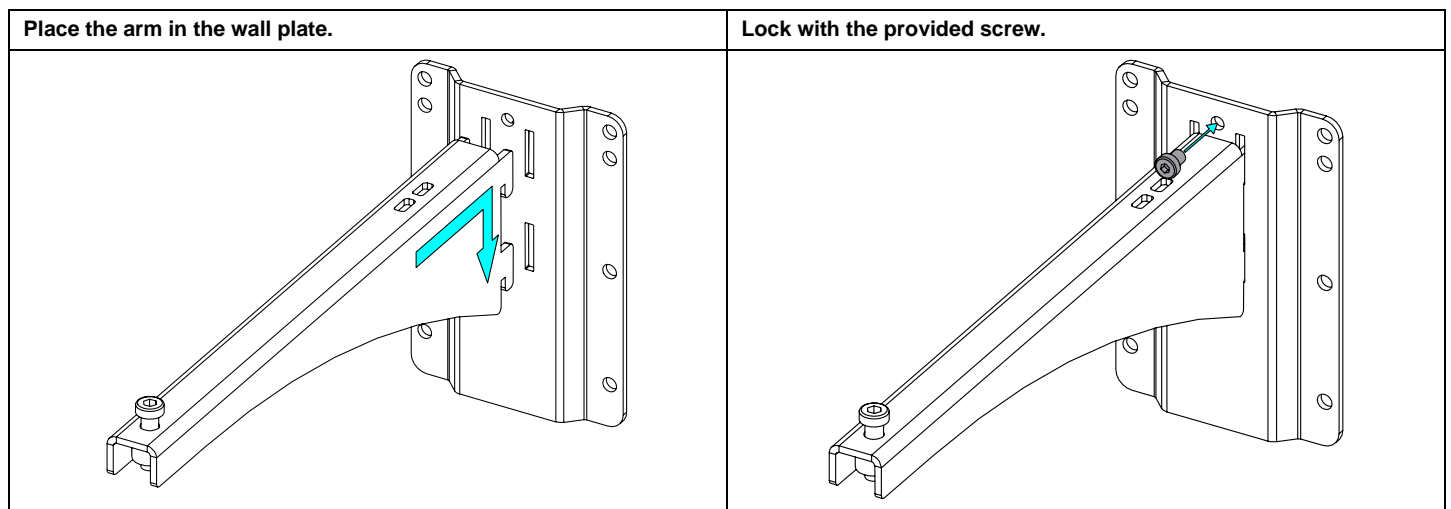
Weight: 2.2 kg / 4.9 lb

**Dimensions:**

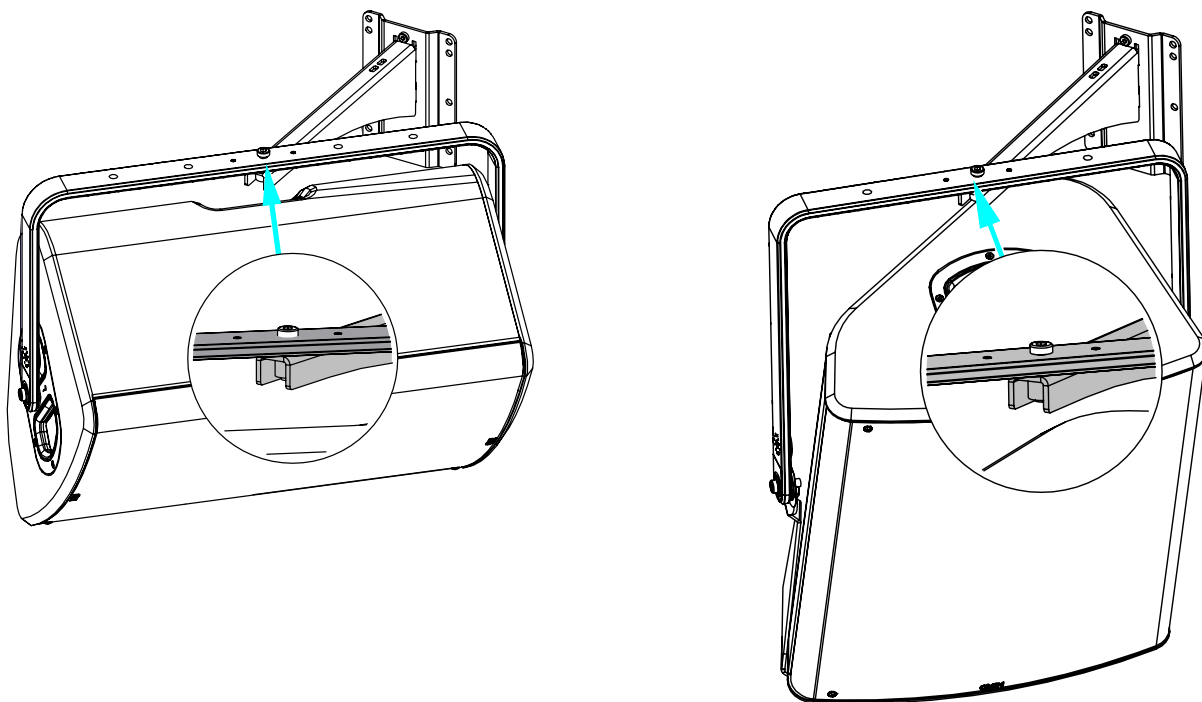


**Use:**

**Please, select screws and mounting location supporting 4 times the system weight.  
Mount the wall plate.**



**With HBRK or VBRK:**



- NEXO cannot accept responsibility for accidents caused by any factor other than defects in this product itself.
- Please check the web site [nexo-sa.com](http://nexo-sa.com) for the latest update.



nexo-sa.com  
ZA du Pre de la Dame Jeanne  
60128 PLAILLY - France

- Read this document before using.
- Keep this document.
- Observe all warnings and cautions.

