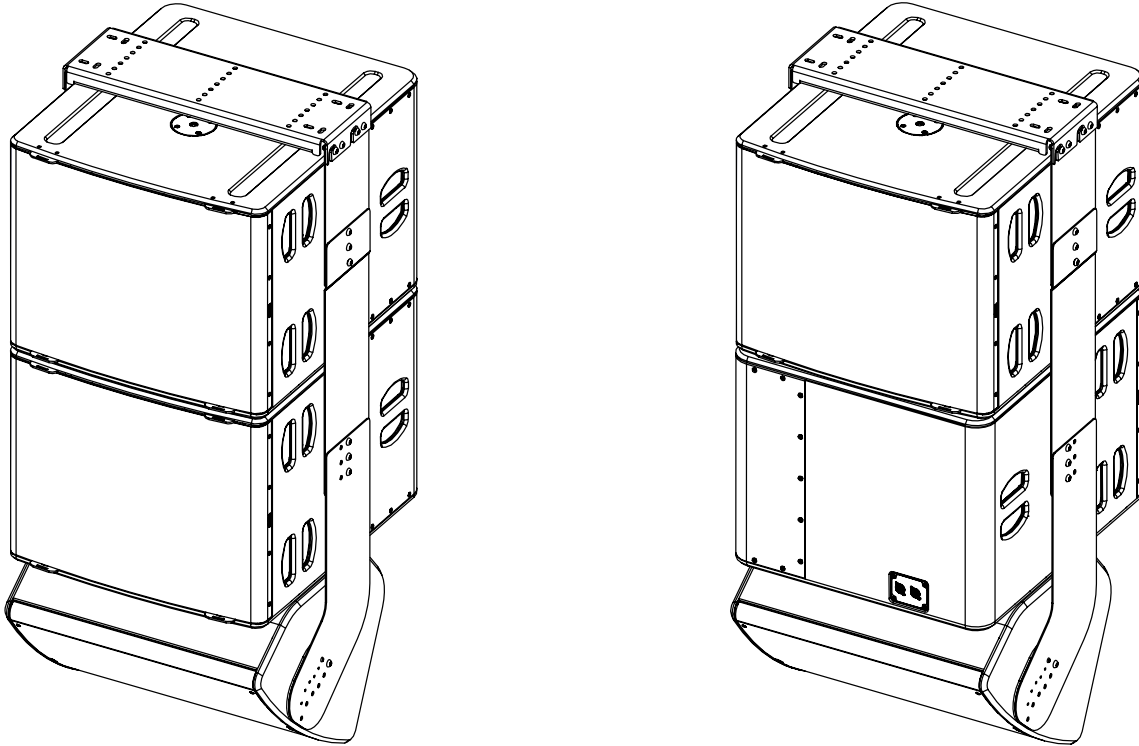
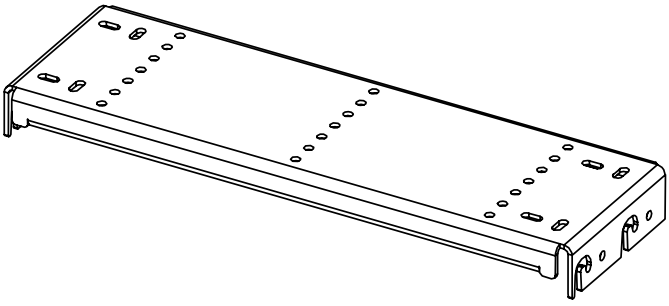
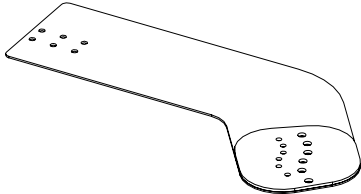
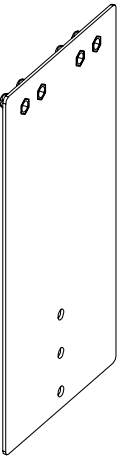
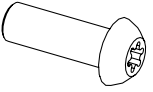
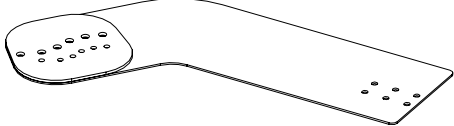
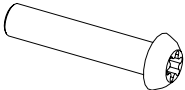
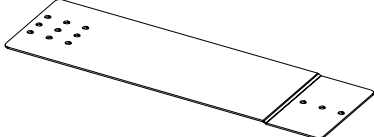


P18 Under 2xL18 Rigging System



Contents:

<p>X1 Ceiling Plate</p> 	<p>X1 Left Plate</p> 	<p>X2 Main Plate</p> 
<p>X8 M10x30 X12 M10x20 X2 M10x20</p> 	<p>X1 Right Plate</p> 	
<p>X2 M6x25</p> 	<p>X2 L18 Plate</p> 	

(a): The type of the screws may differ from the representation.

Weight: 27.3 kg / 60 lb

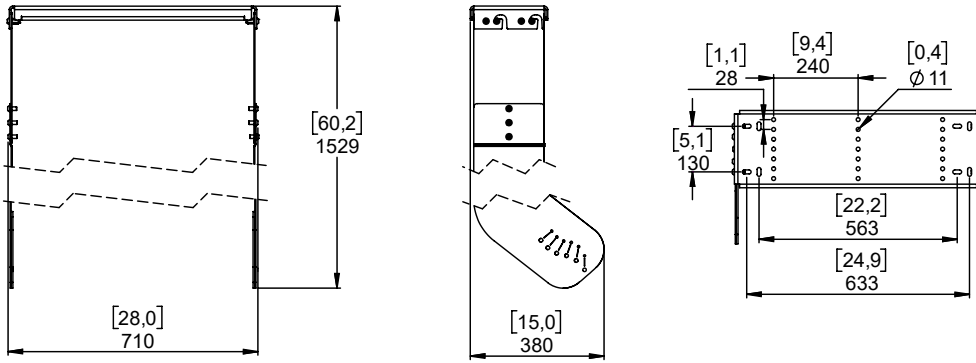


nexo-sa.com
ZA du Pre de la Dame Jeanne
60128 PLAILLY - France

- Read this document before using.
- Keep this document.
- Observe all warnings and cautions.



Dimensions:



For fixation, you have the choice between M8 and M10

WARNINGS

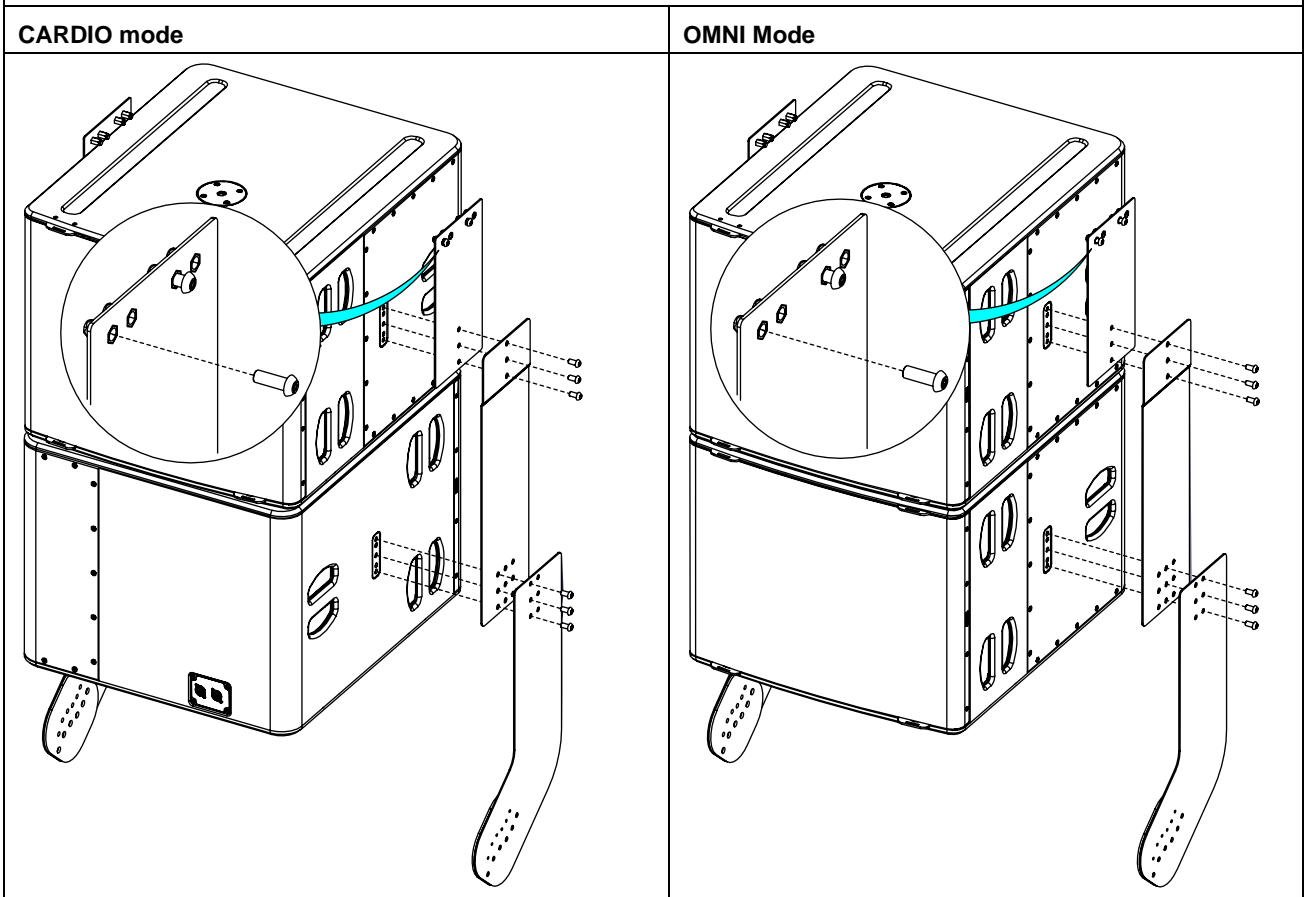
Ensure that the mounting location and fasteners can support at least 4 times the weight of all the installed cabinets, auxiliary equipment and cables.

Use only the provided screws (thread lock coated) and accessories.

Implementation of L18

Prepare the Main plates by screwing the M10x30 screws on the holes (see picture below), do not tighten completely and leave at least 6mm.

Assemble the Plates on each side of L18 using the M10x20 screws.

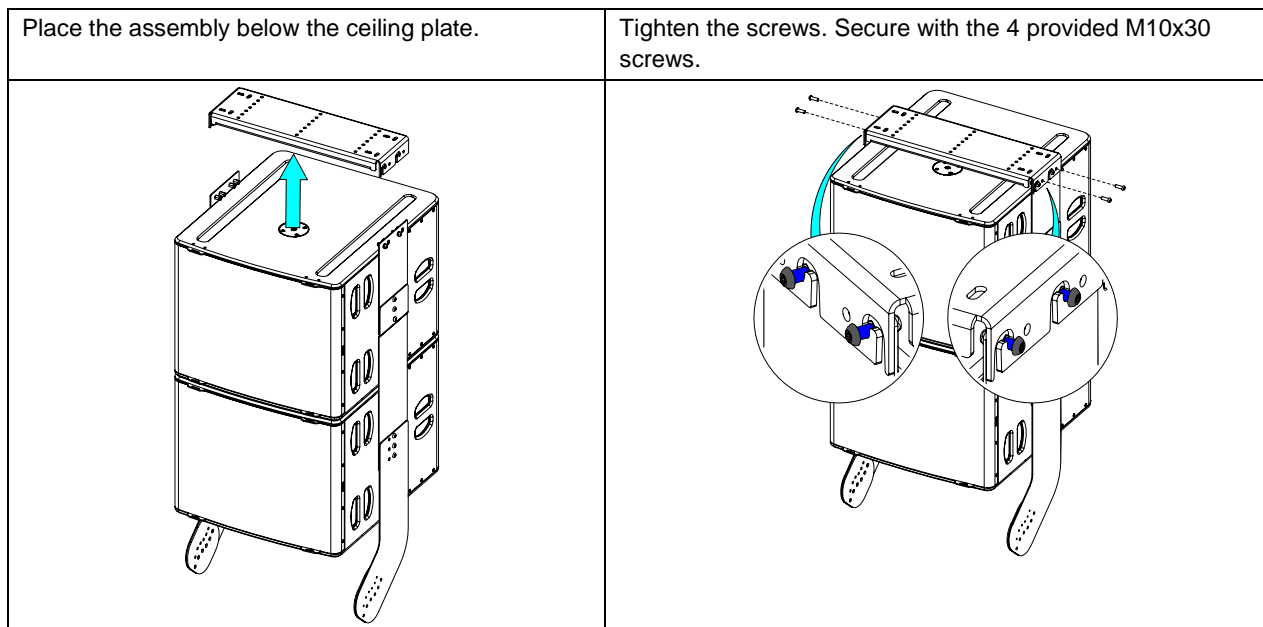


nexo-sa.com
 ZA du Pre de la Dame Jeanne
 60128 PLAILLY - France

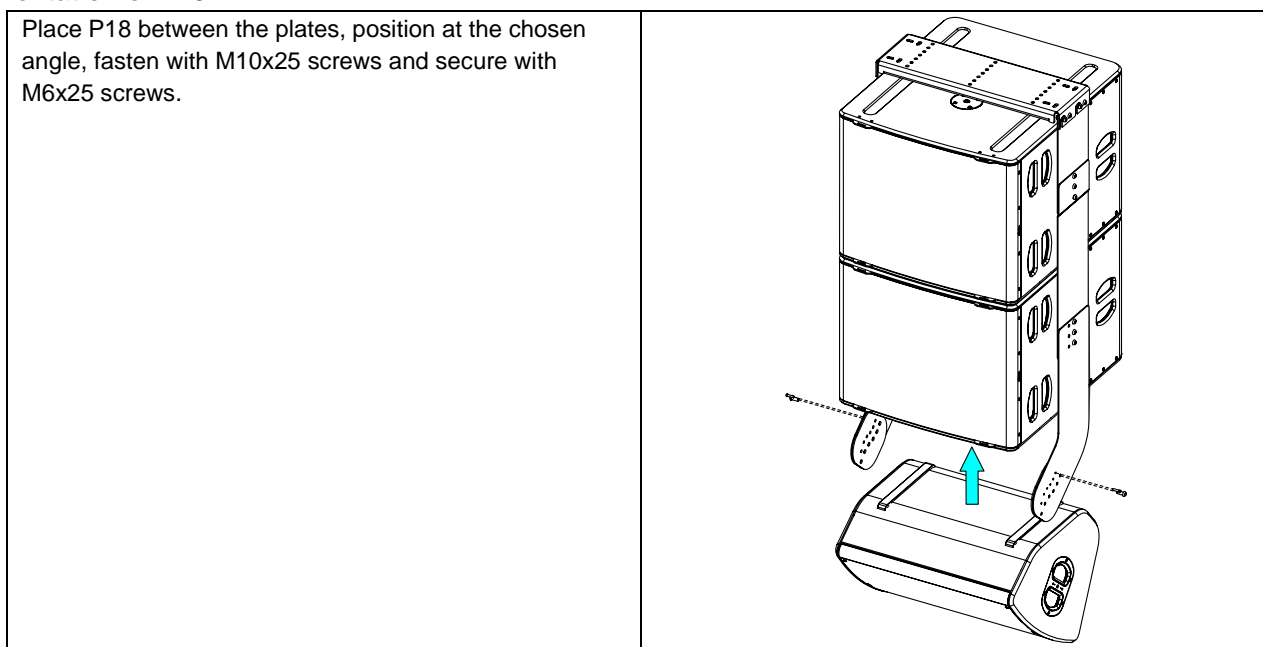
- Read this document before using.
- Keep this document.
- Observe all warnings and cautions.



Assembly on the ceiling plate



Implementation of P18



PNI-P18TO2L18 frame tilt (+/-1°)

P18	Holes 1	Holes 2	Holes 3	Holes 4	Holes 5	Holes 6	Holes 7
0°	5°	2°	0,5°	-1,5°	-3,5°	-6,5°	-9°
-15°	6°	3°	1°	-1,5°	-3,5°	-6°	-8,5°
-25°	6,5°	3,5°	1,5°	-1°	-3°	-5,5°	-8°
-35°	6,5°	4°	1,5°	-1°	-3°	-5°	-8°
-45°	7°	4,5°	2°	-0,5°	-2,5°	-5°	-7,5°
-55°	7°	5°	2°	-0,5°	-2,5°	-4,5°	-7°

Note 1 : Holes 1 are those toward F.O.H.

Note 2 : All angles measurements have been done without cables weight.

Note 3 : Angles are in relation to Horizontal position (0°)

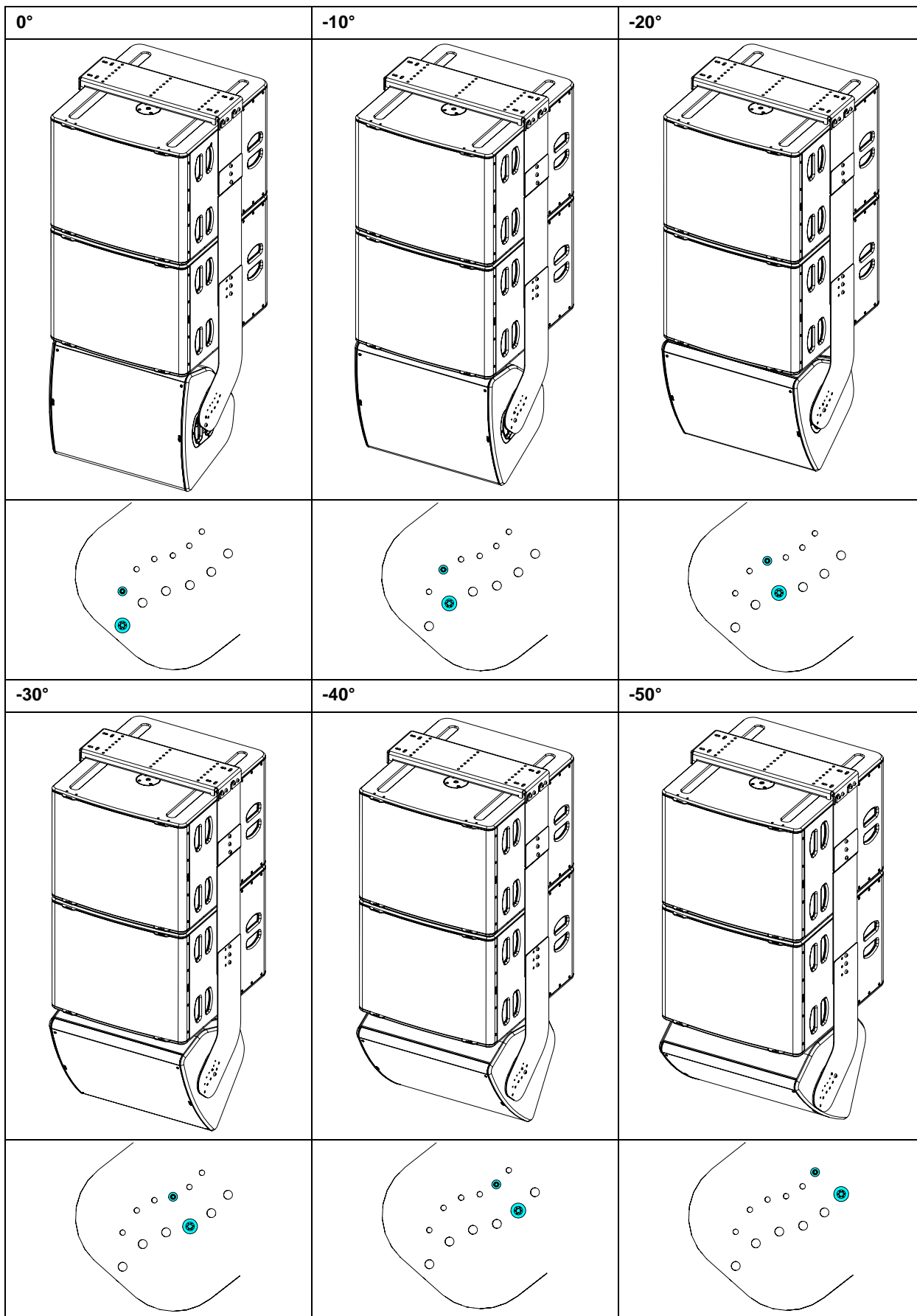
NEXO

nexo-sa.com
ZA du Pre de la Dame Jeanne
60128 PLAILLY - France

- Read this document before using.
- Keep this document.
- Observe all warnings and cautions.



Standard inclinations :



- NEXO cannot accept responsibility for accidents caused by any factor other than defects in this product itself.
- Please check the web site nexo-sa.com for the latest update.

NEXO

nexo-sa.com
 ZA du Pre de la Dame Jeanne
 60128 PLAILLY - France

- Read this document before using.
- Keep this document.
- Observe all warnings and cautions.

