



Point source speaker, 2 way passive or active, with coaxial 12" LF and 3" diaphragm HF.

The P12 speaker is a powerful high-technology versatile point source.

P12 main features

- Extremely powerful (138 dB peak) point source that can be used for FOH or monitor, with or without its companion sub the L15.
- Lightweight (20 kg / 44 lbs) design using custom-made 15 mm Birch and Poplar bent plywood.
- Modular directivity: from the Standard 60°x60° horn to the rotating 90°x40° or Asymmetric ("PS like") pattern in a few seconds.
- Quick release Magnelis® steel grille for easy access to the horn magnetic flanges.
- Dual ultra-low distortion shaped bass port.
- Comprehensive range of versatile, accessories for deploying the P12 in a wide variety of applications for both touring and fixed installation.

NEXO has always been well-known for its compact and very powerful versatile point source speakers, ideal in both FOH and wedge application.

This expertise is now applied to the P12, featuring a new extremely powerful coaxial 12" speaker and lots of innovation, making the P12 unique in its category.

Advanced NEXO technology included

The P12 is built around a 15 mm custom-made bent plywood shell, with poplar veneer for the inside layers and birch on the outside. The result is a robust enclosure with exceptionally good sound quality and light weight.

The bass-reflex tuning is done through two computer optimized shaped port which guarantee ultra-low distortion even at very high level.

Two large comfortable handles on each side (on *Touring* version only) hold a 35 mm pole stand adapter and a Speakon® connector for discrete connection when on pole stand or in wedge monitor mode.

The back plate holds two other Speakon® connectors and a recessed switch to change the cabinet from 2-way passive to 2-way active (on *Touring* version only).

The Installation version is passive only and has a cable gland with a 2 core cable for audio input ensuring IP54 protection.

The internal passive filter is encapsulated in a certified resin to protect components from vibration and dust, ensuring an extra-long life.

The custom-designed common neodymium magnet coaxial driver with a 3.5" voice coil for the LF driver and a 3" diaphragm for the HF motor is the heart of the P12 and responsible both for its smooth, clean sound and enormous power.

One box fits all applications

Thanks to its fully symmetric design, there is no left or right version of the P12 and all speakers in inventory can be the same.

To match even more precisely every possible application the directivity of the P12 can be changed in seconds through the addition of an optional magnetic flanges.

As standard, the P12 uses a 60°x60° horn, but the front steel grille can be quickly removed without tools (on *Touring* version only) and the optional rotatable 90°x40° or Asymmetric ("PS type") magnetic flange can be added to change the dispersion characteristics of the P12.

For each optional flange a dedicated setup is available on the NXAMP powered controller to ensure perfect coverage at any frequency. The results are even better in Active mode, where the crossover frequency can be adapted to offer the best coverage.

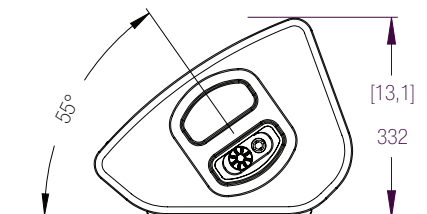
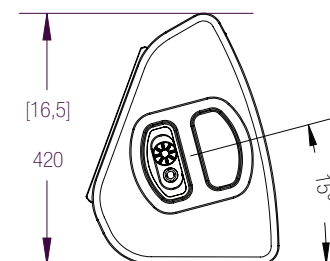
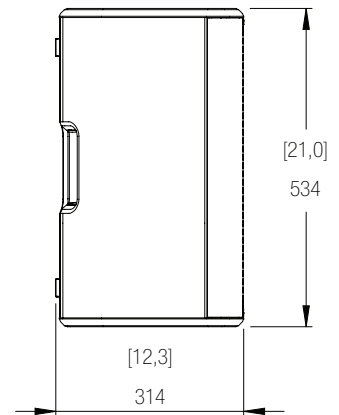
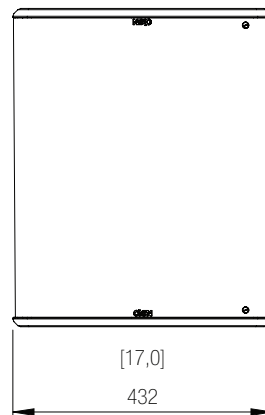
P12 acoustic phase response is NEXO phase signature allowing inter-operability between all NEXO speakers at all cross-over points, except for the monitor setups where latency is minimized.



Grille removed, an additional magnetic flange can be quickly fitted to change directivity from 60°x60° to 90°x40°

NEXO is one of the world's leading sound reinforcement loudspeaker manufacturers. Founded in 1979, the company is dedicated to crafting practical solutions with solid engineering. Each new design begins with a proprietary sophisticated computer simulation process that allows every parameter to be extensively modeled and simulated, leading to breakthrough cost and performance gains. NEXO's comprehensive product line includes loudspeakers, analogue and digital control electronics and amplification; all designed to deliver consistent sound quality and long term reliability for a broad range of applications.

P12 WITH NEXO PROCESSING	
Frequency Response @-6 dB	60 Hz to 20 kHz
Sensitivity 1W@1m	107 dB
Peak SPL@1m	138 dB Peak (Passive mode) / 140 dB Peak (Active mode)
Operating Voltage	55 Vrms (150 Vpeak)
HF Dispersion (according to flanges)	60°x60° (Default) - 90°x40° (with 90x40 flange) - 60°~100°x40° (with PS flange)
Crossover Frequency	60 Hz, 85 Hz, 120 Hz
Nominal Impedance	Active: (8 Ω LF + 8 Ω HF) / Passive: 8 Ω
Recommended Power	Active: (800 to 1250 W LF + 400 to 630 W HF) / Passive: 800 to 1250 W
PRODUCT FEATURES	
Components	1 x Coaxial Neodymium LF 12" 8 Ohms long excursion & HF 3" 8 Ohms
Number of ways (Touring version)	2 ways passive (2+2 P12) or 2 ways active (1+1 LF, 2+2 HF) switchable
Number of ways (Install version)	2 ways passive
Connectors (Touring version)	4 x NL4, 4 poles connectors (1 per handle + 2 at the back)
Connectors (Install version)	1 x Cable gland with 2 cores cable
Rigging points	1 x universal accessory fit on each side + 1 x on the bottom
Material	Custom made bent plywood of baltic birch and poplar
Finish	Black or White structural paint
Front Finish (Touring version)	Steel front grille + back mesh
Front Finish (Install version)	Acoustic fabric fitted front grill
Height x Width x Depth	534mm x 432mm x 314 mm (21.0" x 17.0" x 12.3")
Weight: Net	20 kg (44 lbs)
Operating temperature range	0°C - 40 °C (32° F - 104° F)
Storage temperature range	-20 °C - 60 °C (-4 ° F - 140° F)
SYSTEM OPERATION	
Recommended powering solution	NXAMP4x2mk2 Powered TDcontroller: up to 2 x P12 per channel
Optional powering solution	DTDcontroller + DTDAMP4x1.3 : 1 x P12 per channel
	NXAMP4x1mk2 Powered TDcontroller (Bridged): up to 2 x P12 per channel
	NXAMP4x4mk2 Powered TDcontroller: up to 4 x P12 per channel



NEXO S.A.
 Parc d'Activité
 du Pré de la Dame Jeanne
 B.P. 5
 60128 PLAILLY
 Tel: +33 (0) 3 44 99 00 70
 Fax: +33 (0) 3 44 99 00 30
 e-mail: info@nexo.fr

LIMITED WARRANTY

NEXO loudspeakers and electronics are covered against defects in workmanship or materials for a period of five (5) years from the original date of purchase. At the option of NEXO the defective item will be repaired/replaced with no charge for materials/labour. The item is to be adequately packaged and dispatched, pre-paid, to a NEXO authorised distributor/service centre. Unauthorised repair shall void the warranty. The NEXO warranty does not cover cosmetics or finish and does not apply to any items which in NEXO's opinion have failed due to used abuse, accidents, modifications or any type of misuse. All images and text herein are the property of NEXO SA, and deemed accurate, although specifications are subject to change without notice.