

NEXO

I N N O V A T E

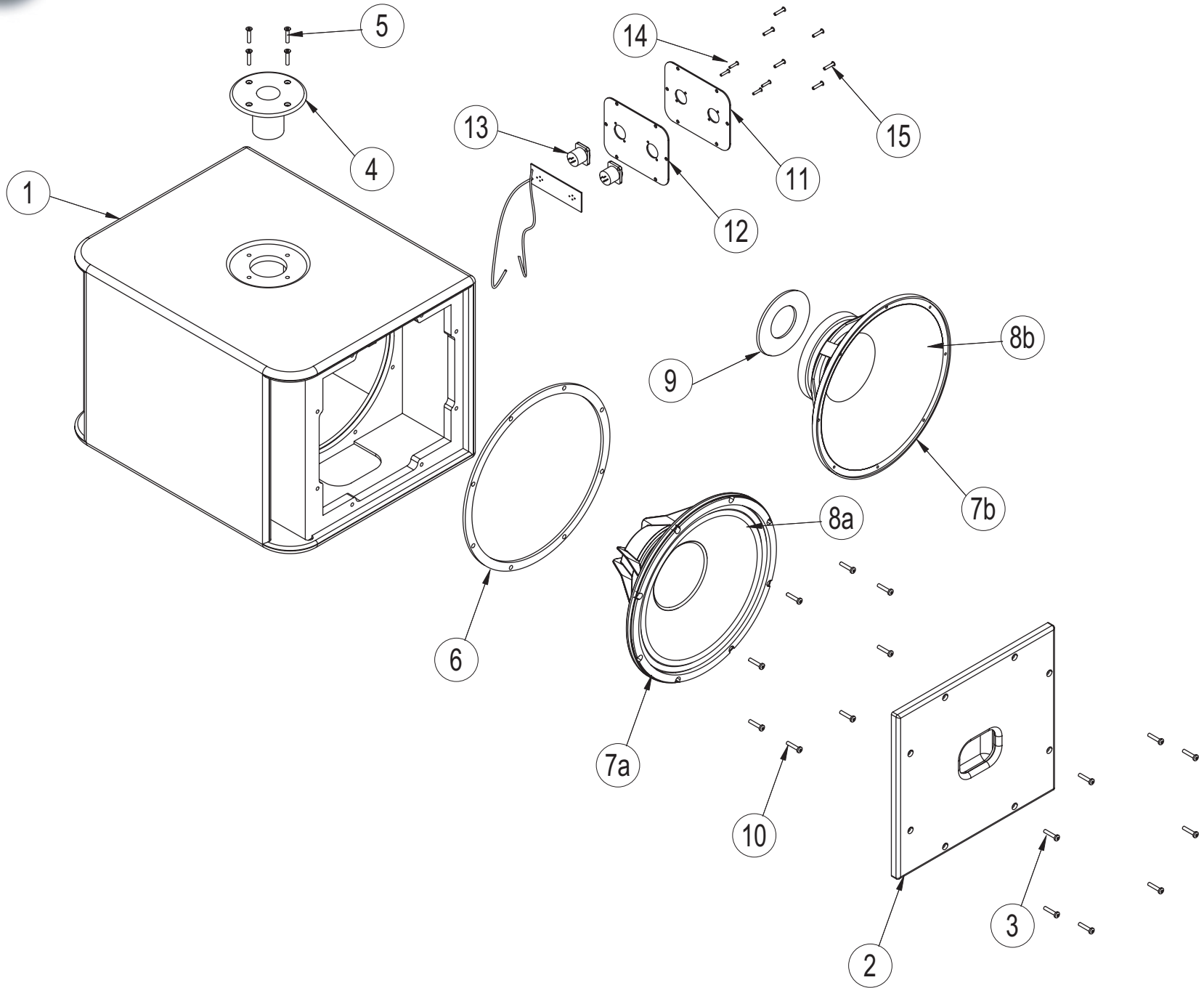
LS 400

SPARE PARTS

NEXO-SA
AFTER SALE DEPARTMENT
154 allée des Erables
ZAC Paris Nord II
B.P.50107
95950 ROISSY Cedex
FRANCE
Email : gilbert.laporte@nexo.fr

NEXO

INNOVATE



MARK	QUANTITY	ASSEMBLY	SUB ASSEMBLY	PART REFERENCE	DESIGNATION
LS.400					
1	1	\$EBLS40		\$EBLS40	CABINET LS.400 + ACCESSORIES
2	1			\$COVER400	COVER
3	8			\$VXTCBX535N	SREW TORX BUTOOM HEAD 5X35 STAINLESS STEEL BLACK
4	1			\$AMDOUILLS40	FAUCET FLUSH LS400
5	4			\$VXTCFX525N	SCREW TORX FLAT HEAD 5X25 BLACK
6	1			\$JNEOHPBLS40	JOINT BASS SPEAKER LS400
7a	1		\$HPB12	\$HPB12	BASS SPEAKER 12" (4 ohm) BEFORE S/N 1317
8a	1			\$N12-4R/K	RECONE KIT FOR BASS SPEAKER 12" LS400 BEFORE S/N 1317
9	1			\$HPPLAQAR38	BACK WASHER HP38
7b	1		\$HPB12ND	\$HPB12ND	BASS SPEAKER 12" NEODYNIUM (4 ohm) SINCE S/N 1317
8b	1			\$N12ND-4R/K	RECONE KIT FOR BASS SPEAKER 12" NEODYNIUM SINCE S/N 1317
10	8			\$VXTCBX525N	SCREW TORX BUTTOM HEAD 5X25 STAINLESS STEEL BLACK
11	1		\$CNX400	\$CNX400	CONNECTION PLATE LS400 WITH ARTWORK
12	1			\$JNEOCNX	JOINT PLATE CNX
13	2			\$CNXNL4MP	SPEAKON NL4 MP
14	4			\$VRIV3.216N	ALUMINIUM RIVET BLACK 3.12X16
15	6			\$VXTCBX525N	SCREW TORX BUTTOM HEAD 5X25 STAINLESS STEEL BLACK