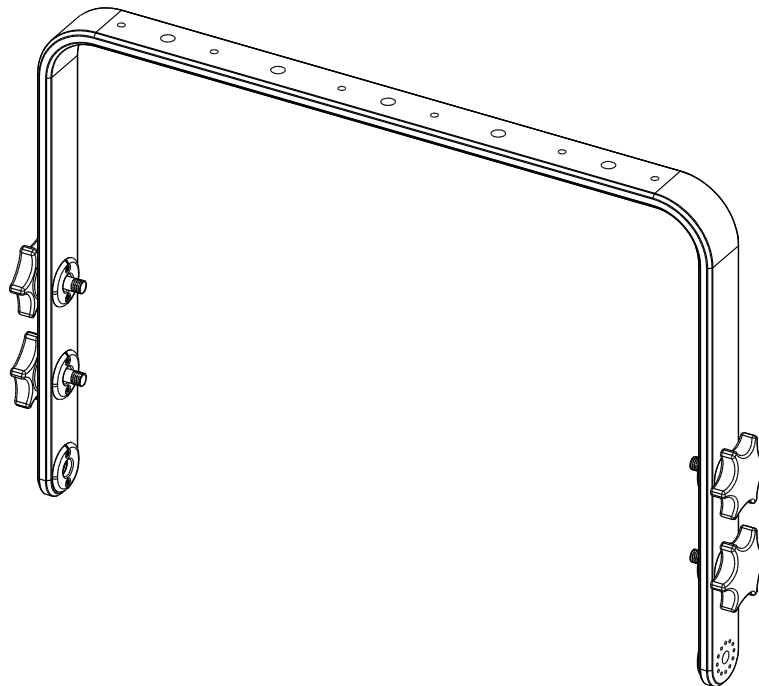
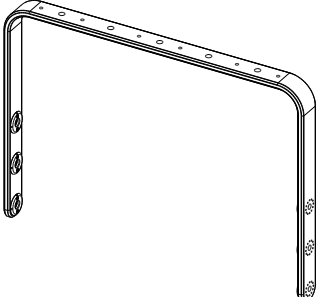
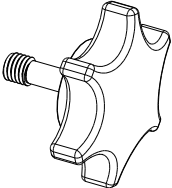
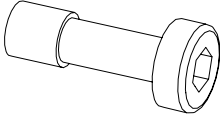



Horizontal Bracket for L15



Contents:

<p>X1</p> 	<p>X4</p> <p>KNOBM10-P3783</p> 	<p>X4</p> <p>VXTCHC-P4449</p> 	<p>X4</p> <p>VRA10N (M10)</p> 
--	--	--	---

Weight: 2 kg / 4.4 lb

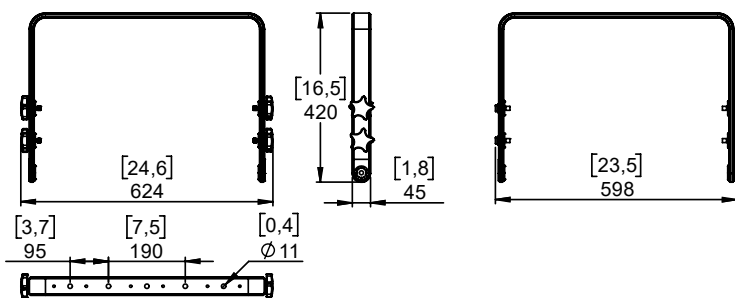


nexo-sa.com
ZA du Pre de la Dame Jeanne
60128 PLAILLY - France

- Read this document before using.
- Keep this document.
- Observe all warnings and cautions.



Dimensions:



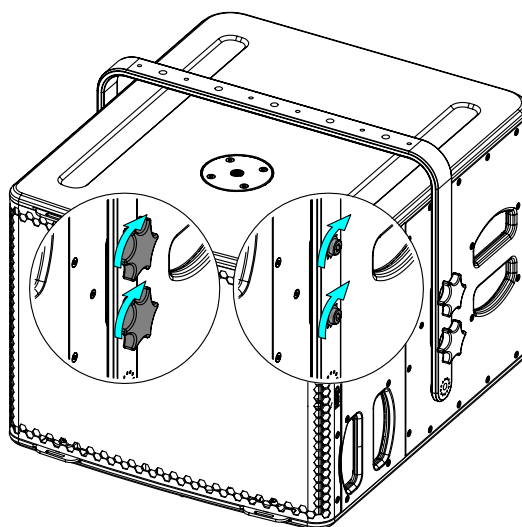
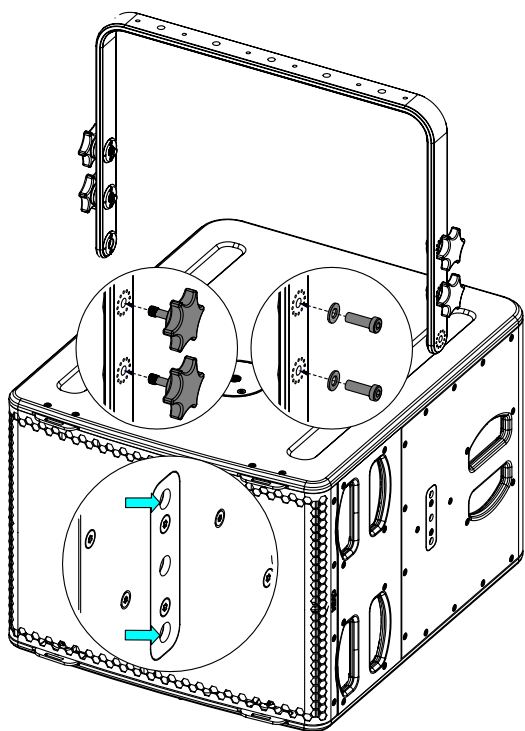
Safety

For permanent installation, use the provided thread lock coated screws.

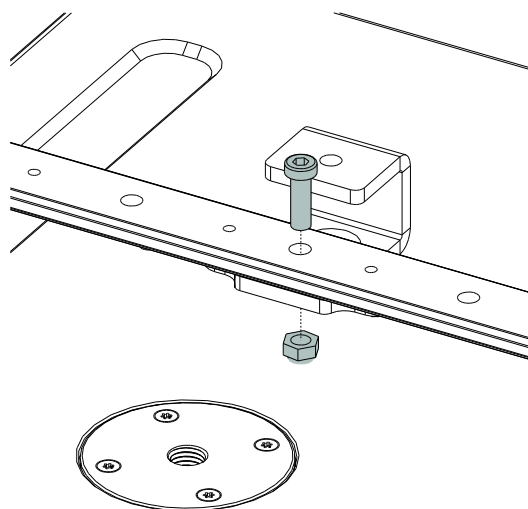
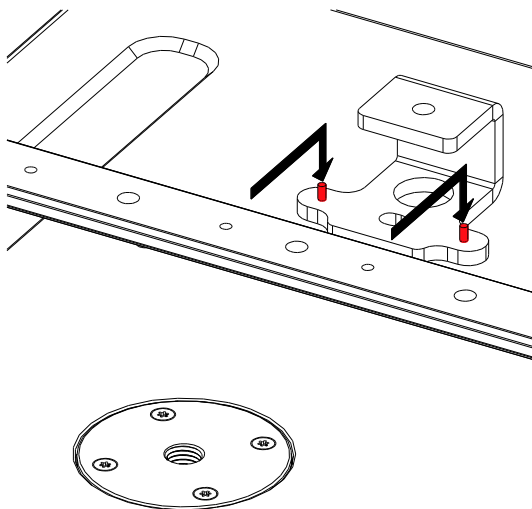
Please, select screws and mounting location supporting 4 times the system weight

Assembly:

Place HBRK15 (low or high position of the bracket) on L15, use only fasteners provided. Tight properly.



Place on CLADAPT, use the 2 guides. Tight with the fasteners provided with CLADAPT



NEXO

nexo-sa.com

ZA du Pre de la Dame Jeanne
60128 PLAILLY - France

- Read this document before using.
- Keep this document.
- Observe all warnings and cautions.



HANGING

Fixing hole diameter: 11mm – 0.433 inch

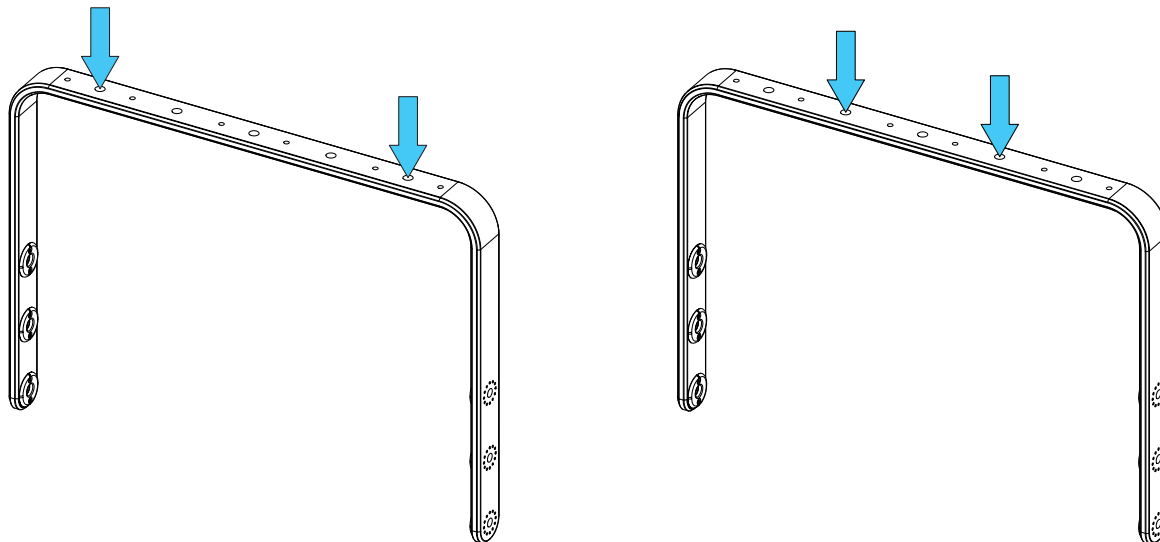
It's mandatory to use at least 2 rigging points, never use only one!!

Fixed installation

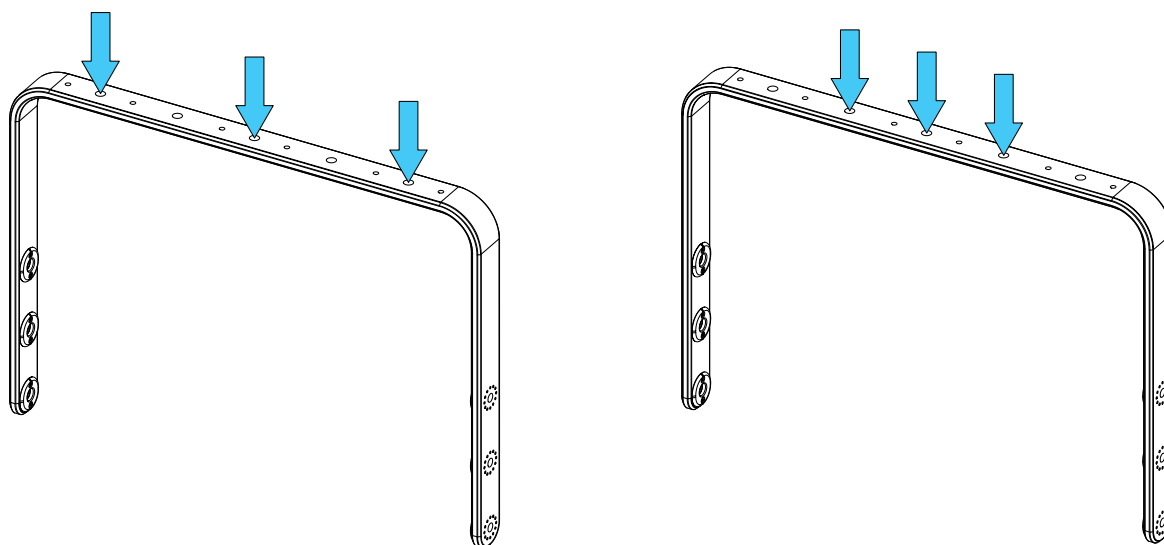
LNT-HBRK15 fixed on ceiling, use 2 holes (without central point), or 3 holes (with central point).

LNT-HBRK15 with VNI-CLADAPT, use at least 2 CLADAPT

2 Rigging Points



3 Rigging Points



Please, select screws and mounting location supporting 4 times the system weight.

NEXO

nexo-sa.com

ZA du Pre de la Dame Jeanne
60128 PLAILLY - France

- Read this document before using.
- Keep this document.
- Observe all warnings and cautions.



- NEXO cannot accept responsibility for accidents caused by any factor other than defects in this product itself.
- Please check the web site nexo-sa.com for the latest update.

- Read this document before using.
- Keep this document.
- Observe all warnings and cautions.

