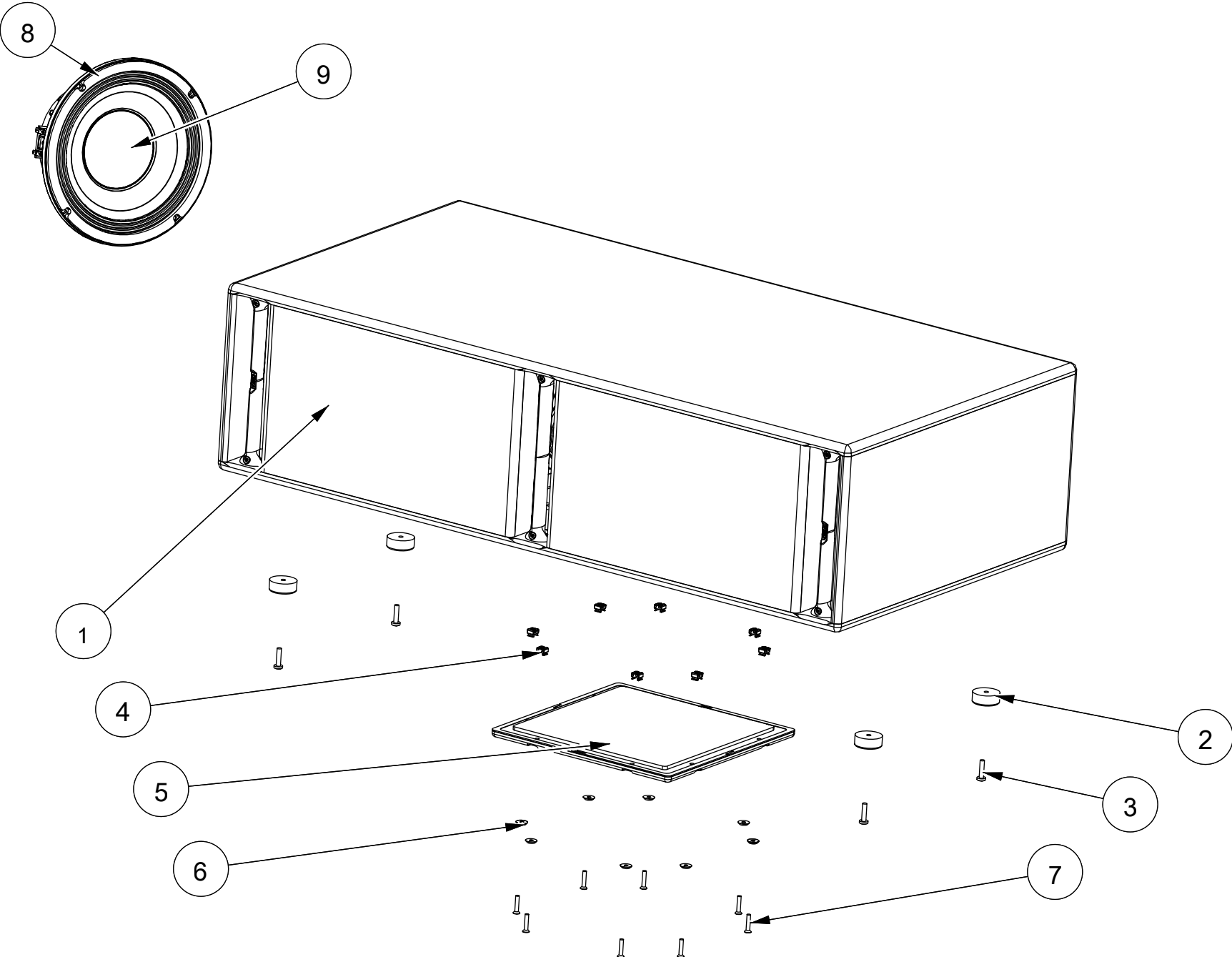


NEXO

iDs210i
SPARE PARTS

NEXO



MARK	QUANTITY	ASSEMBLY	SUB ASSEMBLY	PART REFERENCE	DESIGNATION
IDS210i					
1	1	05EBIDS210IB		05EBIDS210IB	IDS210I BLACK EMPTY CABINET
	1	05EBIDS210IW		05EBIDS210IW	IDS210I WHITE EMPTY CABINET
2	4			05FTCC	SKID
3	4			05VXTCBX625N-EM	BLACK TORX BUTTON HEAD SCREW 6x25. LOCTITE MEDIUM (x10)
4	8			05VECRM5-2	CAGE NUT M5 (x10)
5	1			05COVERIDS210N	BLACK COVER (with gasket)
	1			05COVERIDS210	WHITE COVER (with gasket)
6	8			05VRX5FN	BLACK FLAT WASHER 90° (x10)
	8			05VRX5FB	FLAT WASHER 90° (x10)
7	8			05VXTCFX516N-EL	BLACK TORX FLAT HEAD SCREW 5X16. LOCTITE LIGHT (x10)
	8			05VXTCFX516-EL	TORX FLAT HEAD SCREW 5X16. LOCTITE LIGHT (x10)
8	2			05HPB10-4F	BASS SPEAKER 10" (4 ohm) with gasket and screw
9	2			05HPB10-4R/K	Recone Kit HPB10-4F