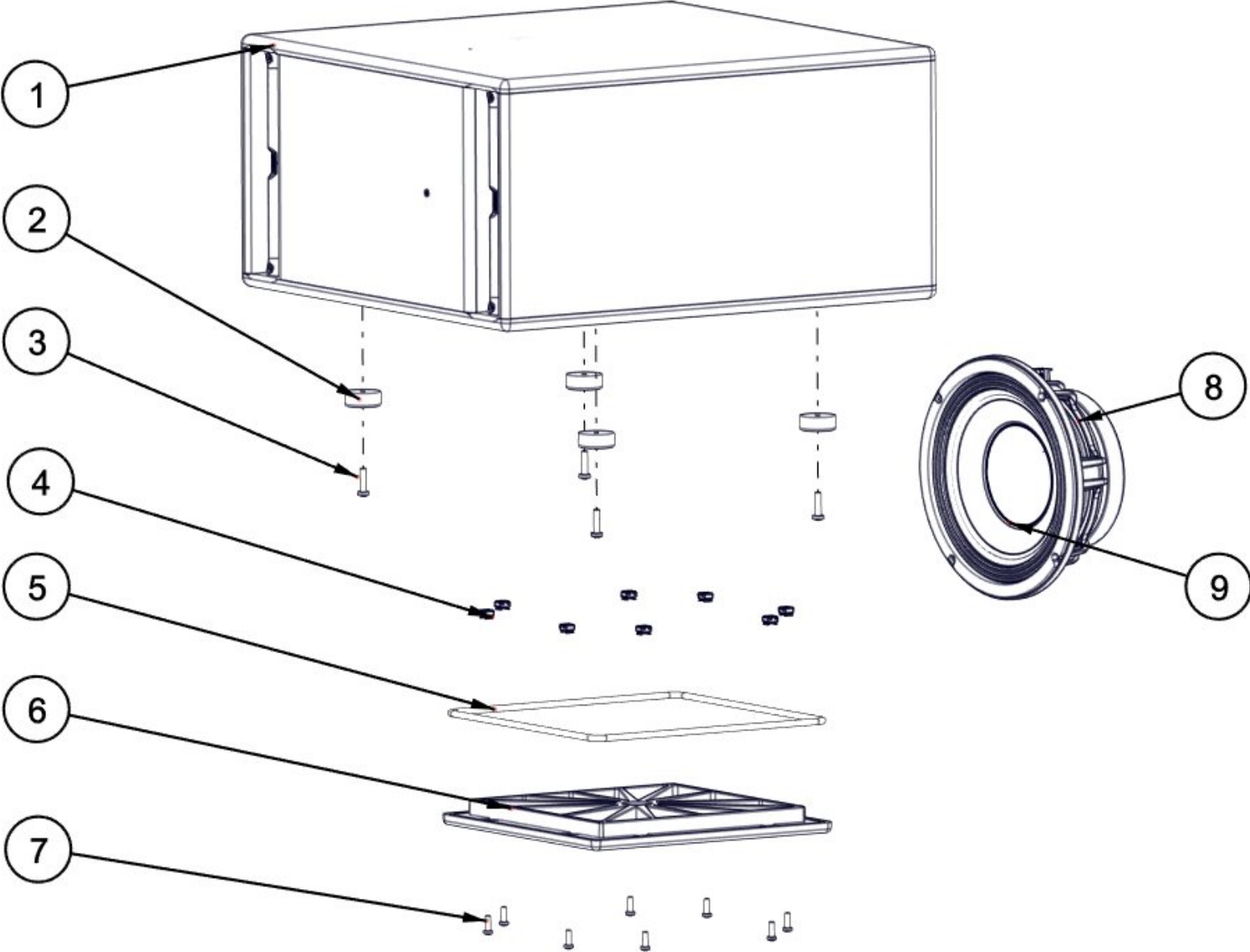


NEXO

iDs110i
SPARE PARTS



| MARK | QUANTITY | ASSEMBLY | SUB ASSEMBLY | PART REFERENCE | DESIGNATION |
|----------------|----------|---------------------|--------------|------------------------|---|
| IDS110i | | | | | |
| 1 | 1 | 05EBIDS110IB | | 05EBIDS110IB | IDS110I BLACK EMPTY CABINET |
| | 1 | 05EBIDS110IW | | 05EBIDS110IW | IDS110I WHITE EMPTY CABINET |
| 2 | 4 | | | 05FTCC | SKID |
| 3 | 4 | | | 05VXTCBX625N-EM | BLACK TORX BUTTON HEAD SCREW 6x25. LOCTITE MEDIUM (x10) |
| 4 | 8 | | | 05VECRM5-2 | CAGE NUT M5 (x10) |
| 5 | 1 | | | 05JNEOID10T | GASKET COVER |
| 6 | 1 | | | 05PID10TRAP | BLACK COVER |
| | 1 | | | 05PID10TRAPW | WHITE COVER |
| 7 | 8 | | | 05VXTCBX516N-EL | BLACK TORX BUTTON HEAD SCREW 5X16. LOCTITE LIGHT (x10) |
| | 8 | | | 05VXTCBX516-EL | TORX BUTTON HEAD SCREW 5X16. LOCTITE LIGHT (x10) |
| 8 | 1 | | | 05HPB10-4F | BASS SPEAKER 10" (4 ohm) with gasket and screw |
| 9 | 1 | | | 05HPB10-4R/K | Recone Kit HPB10-4F |