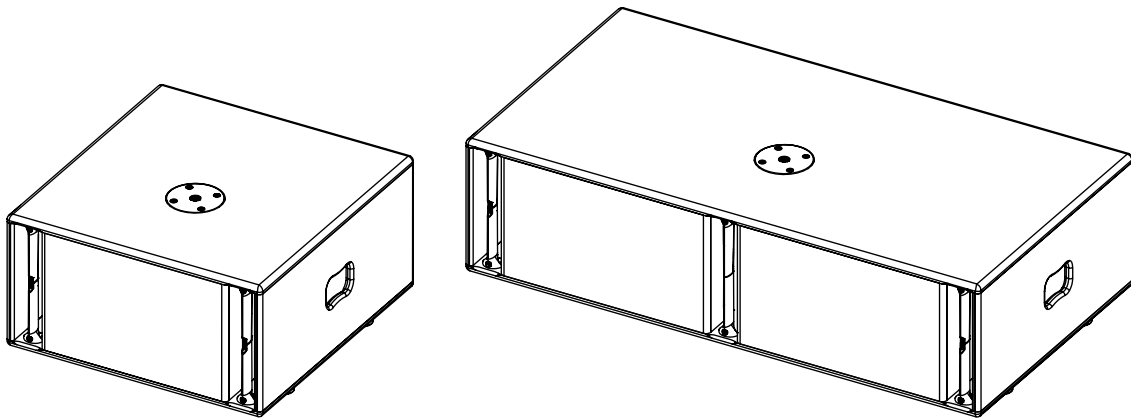


---

IDS110-E – IDS110-T  
IDS210-E – IDS210-T



User manual



**TABLE OF CONTENTS**

TABLE OF CONTENTS \_\_\_\_\_ 2

WARNINGS \_\_\_\_\_ 3

EQUIPMENT \_\_\_\_\_ 4

DESCRIPTION \_\_\_\_\_ 6

PRESET \_\_\_\_\_ 7

CROSSOVER FREQUENCY \_\_\_\_\_ 7

ACCESSORIES \_\_\_\_\_ 8

ARRAY EQ \_\_\_\_\_ 8

MAINTENANCE \_\_\_\_\_ 9

TECHNICAL SPECIFICATIONS \_\_\_\_\_ 11

USER NOTES \_\_\_\_\_ 12

EU Conformity declaration	
	<p>We, <b>NEXO SA</b>  <b>ZA DU PRE DE LA DAME JEANNE</b>  <b>60128 PLAILLY – France</b></p>
<p>Declare under our sole responsibility that the product</p>	<p><b>Passive Loudspeaker</b></p>
<p style="padding-left: 40px;">Type</p>	<p><b>IDS110 – IDS210</b></p>
<p style="padding-left: 40px;">Serial number</p>	<p><b>On the product</b></p>
<p>Is in conformity with the provisions of the following directive including all applicable amendments:</p>	<p><b>2014/35/UE (Low Voltage Directive)</b></p>
<p style="padding-left: 40px;">Applied rules and standards:</p>	<p><b>EN 13155, EN 62368</b></p>
<p style="padding-left: 40px;">Plailly, December 18<sup>th</sup>, 2015</p>	<p><b>Joseph CARCOPINO, R&amp;D Director</b></p>
	

**WARNINGS**

**PRECAUTIONS**

Do not open the speaker, do not try to disassemble it neither to modify it in any way. The system doesn't include any user-repairable part. If the system seems to be malfunctioning or damaged, stop using it at once and have it repaired by a NEXO qualified technician.

Do not expose the system directly to the sun or to the rain, do not immerse it into fluids, do not place objects filled with liquid on the system. If a liquid gets into the system, please have it inspected by a NEXO qualified technician.

When flying outdoor systems ensure that the system is not exposed to excessive wind or snow loads and is protected from rainfall.

In case of wind greater than 8 on Beaufort scale (72km/h – 45mph), a touring system has to be landed or an additional securing has to be implanted.

For fixed installations, wind loading has to be taken into account in accordance to the national standards

The connection should be performed by qualified technician, by ensuring that power is off.

Operating temperature with temperate climate: 0°C to +40°C (+32°F to +104°); -20°C à +60°C (-4°F to +140°F) for storage.

**SAFETY INFORMATIONS**

Read this manual before using the speaker.

Keep this manual available for further reference.

Observe all warnings and cautions.

Please check the NEXO Web site [nexo-sa.com](http://nexo-sa.com) to get the most up-to-date version of this manual.

Ensure you are aware of the safety rules applying to rigging, stacking or installing on tripod or speaker stand. Failure to observe these rules may expose persons to potential wounds or even death.

Only use the system with accessories specified by NEXO.

Please always consult a NEXO-accredited technician if the installation needs architectural works and observe following precautions:

**Mounting Precautions:**

- Please select screws and mounting location supporting 4 times the system weight.
- Do not expose the system to excessive dust, vibrations, to extreme cold or hot temperatures, to reduce the risk of damaging components.
- Do not place the system in an unstable position: it could fall accidentally.
- If the system is used on a tripod, please ensure the tripod's specifications are adapted and that its height does not exceed 1.40m/55". Do not move the tripod with the system in position.

**Connection and Powering Precautions:**

- Unplug connected cables before moving the system.
- Power off the system before connecting the system.
- When switching on the installation, the amplifier must be powered last; when switching the installation off, shut off the amplifier first.
- If you work by cold temperatures, progressively raise the level to nominal value during the first minutes of use, to allow the system components to stabilize.

**Please check regularly the system condition.**

**HIGH SOUND PRESSURE LEVELS**

Exposure to very high sound pressure levels may cause permanent hearing losses. Degrees of hearing losses may be different from one person to another, but almost everybody will be affected if exposed to high sound pressure levels during a long period of time. The OSHA (Occupational Safety and Health Administration) American Agency specified the following maximal exposures:

Number of Hours	Sound Pressure Level (dBA), Slow Response
8	90
6	92
4	95
3	97
2	100
1 ½	102
1	105
½	110
¼ or less	115

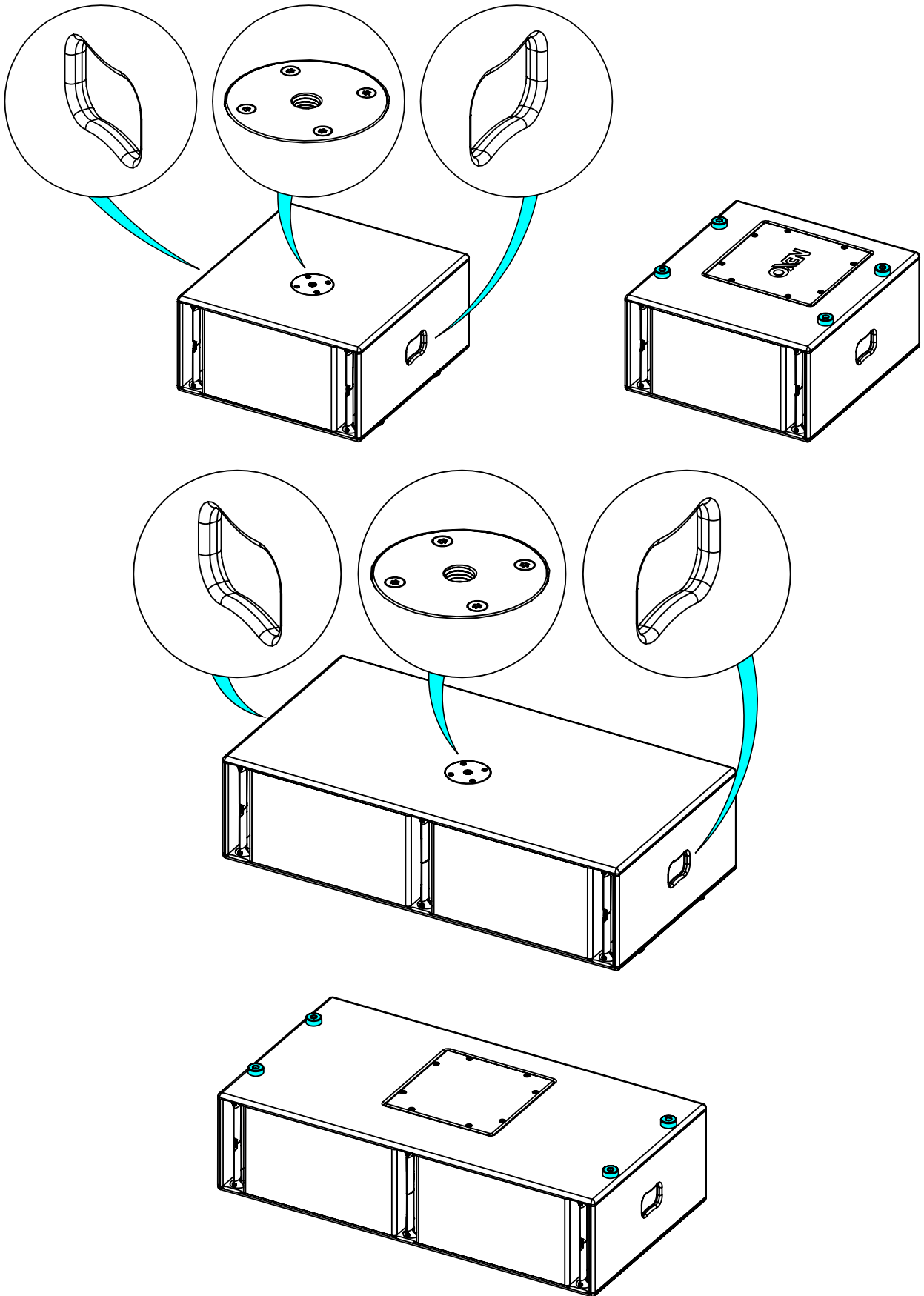
**WASTE OF ELECTRIC OR ELECTRONIC EQUIPMENT**



This symbol on the product or its packaging indicates that this product must not be treated as household waste. Instead, it is your responsibility to hand it over to a designated collection point for the recycling of waste electrical and electronic equipment. By ensuring your waste equipment is recycled, you will help prevent potential negative consequences for the environment and human health, which could appear if this product was not recycled. Recycling helps spare natural resources. For more information about the recycling of this product, please contact your local city office, your household waste disposal service or your reseller.

**EQUIPMENT**

Handle on both side, connector plate M20 on the top (only T version), 4x M6 inserts on the bottom (remove the pad).

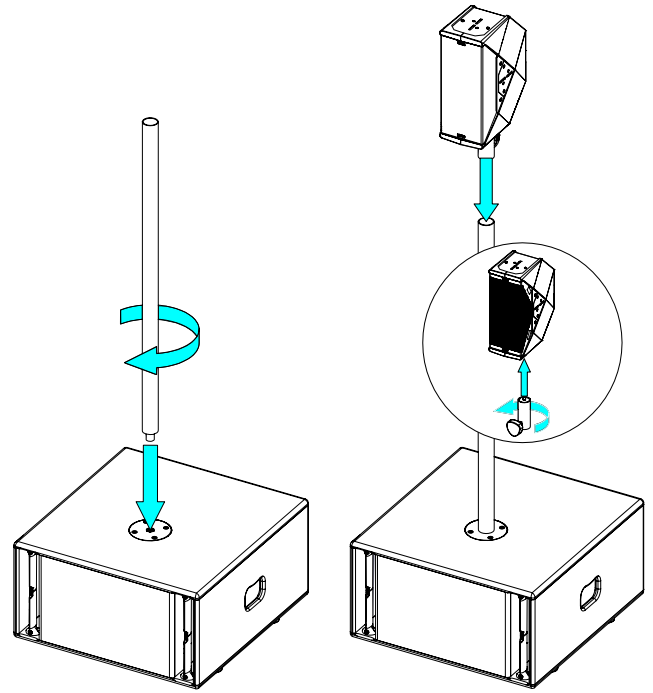


**Assembly on distance rod or speaker stand**

Place distance rod on the connector plate (M20) of the Sub.  
Place ID24 on the distance rod / monitor stand

**IMPORTANT**

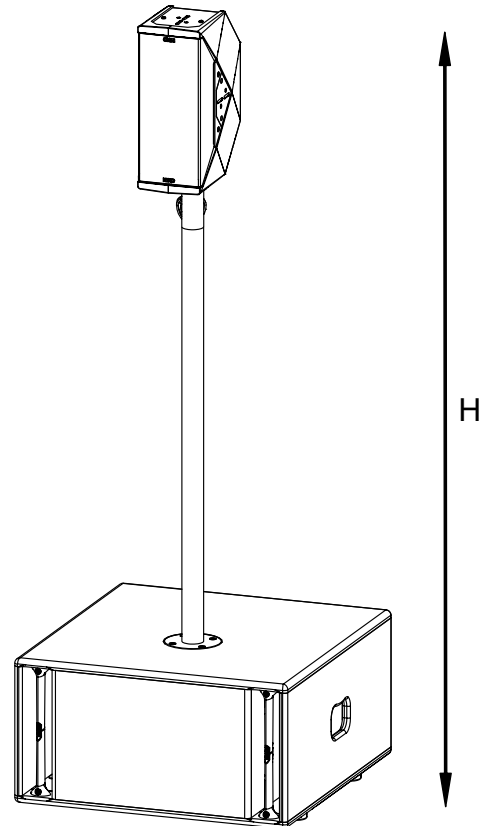
Speaker stand must be rated for ID24 weight.  
Speaker stand must always be installed on a horizontal surface.  
Stand height and footprint must be defined to prevent assembly from collapsing.  
Ensure that audience is not allowed within a safety area which radius is equal or higher than assembly height.  
Test steadiness of the assembly by pushing in all directions.

**WARNING:**

Height **H** must not exceed 2 m (6.6 ft).

The M20 base plate located on IDS110-T and IDS210-T should be used only with speakers like ID24 with the IDT-TVP accessory attached

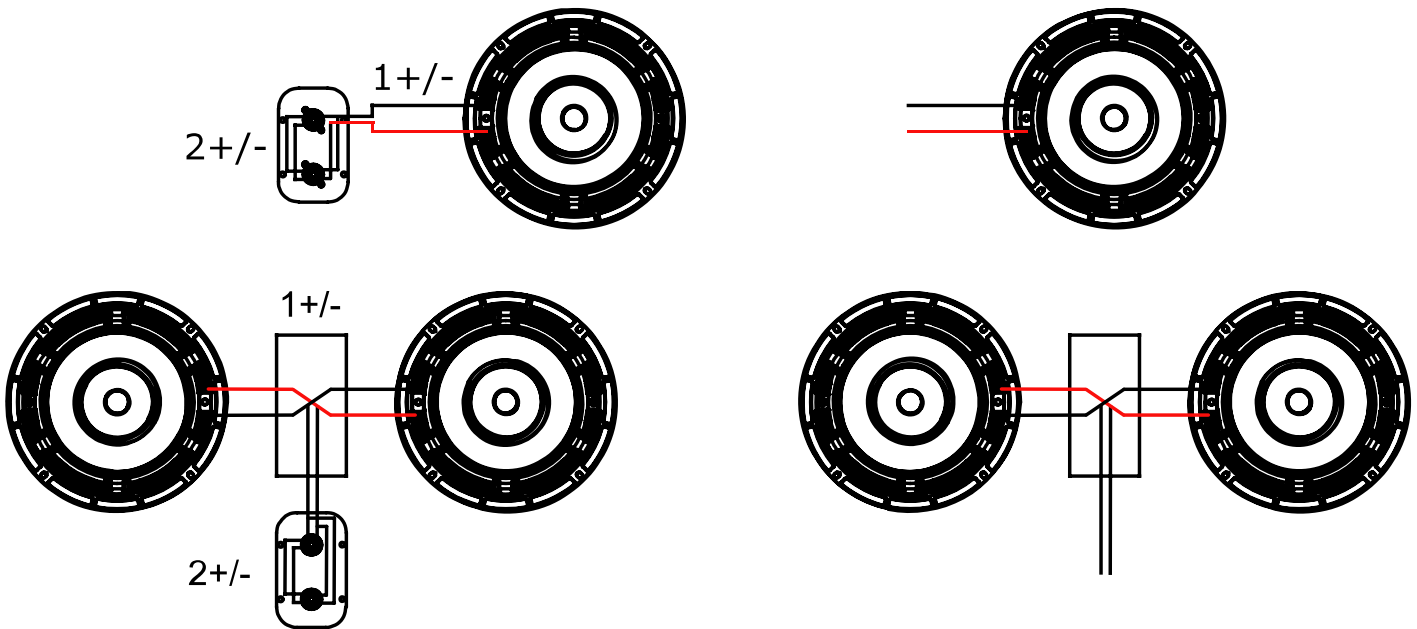
The distance rod M20 – 35mm is not supplied.



**DESCRIPTION**

**DESCRIPTION**

- The IDS110 and the IDS210 are two compact and powerful subwoofers, ideally complementing the ID24 speakers. Their low-profile design is elegant, and allows placement in various places (in walls, staircases, under furniture or benches...).
- IDS110: 1x 10" loudspeaker
- IDS210: 2x 10" loudspeakers
- Versions:
  - IDS110-T: for "Touring" applications; Handles – M20 threaded base; Black, white.
  - IDS110-E: for permanent installation; Black, white.
  - IDS210-T: for "Touring" applications; Handles – M20 threaded base; Black, white.
  - IDS210-E: for permanent installation; Black, white.
- Connectors:
  - IDS110t / IDS210t: equipped with two Speakon NL4 connectors with parallel-wired pins, one on each side and two on the back. The 1+/- pins are used by the sub.
  - IDS110-E / IDS210-E: The subwoofer is supplied with a fixed cable 2 x 2.5mm<sup>2</sup> section, length 2m, outside diameter 9mm ±1mm.  
(+) : Red / Brown ; (-) : Black / Blue



→ Amplification

- The IDS110 and IDS210 subwoofers MUST be used with a NEXO processor to handle EQ, phase alignment, crossover and excursion/thermal protection for the system loudspeakers. There are two NEXO processor series supporting the IDS110 and IDS210 subwoofers: NXAMP (4-channel) amplified processors and DTD processors DTD (stereo + sub). DTD processors ensure optimal performances when used with DTDAMP power amplifiers (IDS110 only).
- The following table shows the number of IDS110 / IDS210 subwoofers usable with each solution.

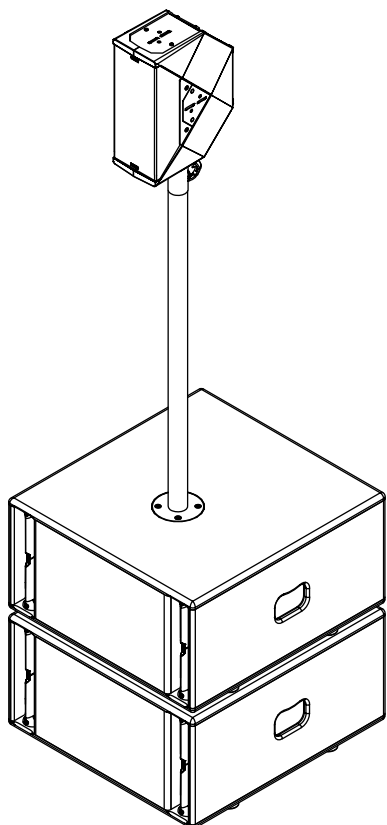
	NXAMP4x1MK2	NXAMP4x2MK2	NXAMP4x4MK2	DTD + DTDAMP 4x0.7	DTD + DTDAMP 4x1.3
IDS110	1 or 2 per channel	1 or 2 per channel	1 or 2 per channel	1 per channel	1 per channel
IDS210	1 per channel	1 per channel	1 per channel		
	Recommended				

## PRESET

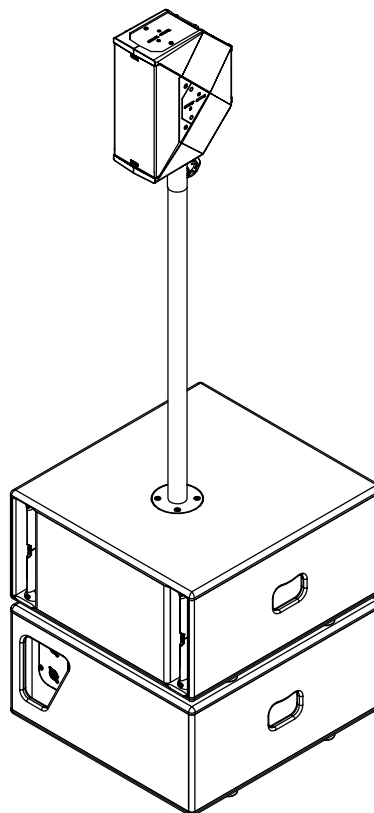
Please consult [nexo-sa.com](http://nexo-sa.com) for NEXO TD Controllers firmware information.

There are two setting ranges for surrounding speakers IDS110 and IDS210:

- “OMNI” setups (available on NXAMP and DTD); For a traditional use of the subwoofer in omnidirectional radiation (require at least one subwoofer and a channel of amplifier).
- “CARDIO” setups (only available on NXAMP); For a directional use (cardioid) of subwoofers (require at least two subwoofers and two channels of amplifier):
  - Setup “FR” (Front) for the subwoofer pointed at the audience
  - Setup “BA” (Back) for the subwoofer turned around.



“OMNI” Assembly



“CARDIO” Assembly

## CROSSOVER FREQUENCY

Choose the crossover frequency value to application:

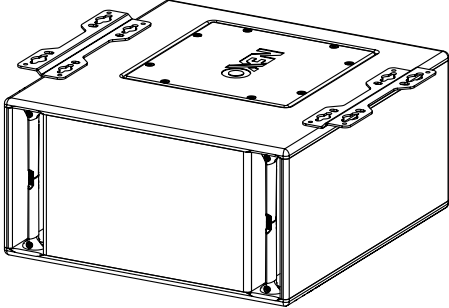
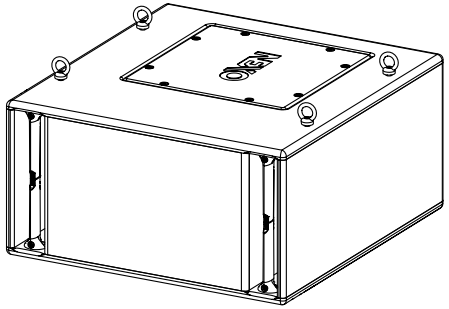
- 85 Hz Recommended for a use with speakers type PS or PLUS serie.
- 120 Hz Recommended for a use with speakers type ID24.

**ACCESSORIES**

**WARNINGS**

All IDS110/210 accessories are specifically rated in agreement with structural computations.  
 Never use other accessories – including push-pins – when assembling IDS110/210 cabinets than the ones provided by NEXO: NEXO will decline responsibility over the entire IDS110/210 accessory range if any component is purchased from different supplier.  
**PROHIBITED: ID24 below IDS110/210 without dedicated accessory**

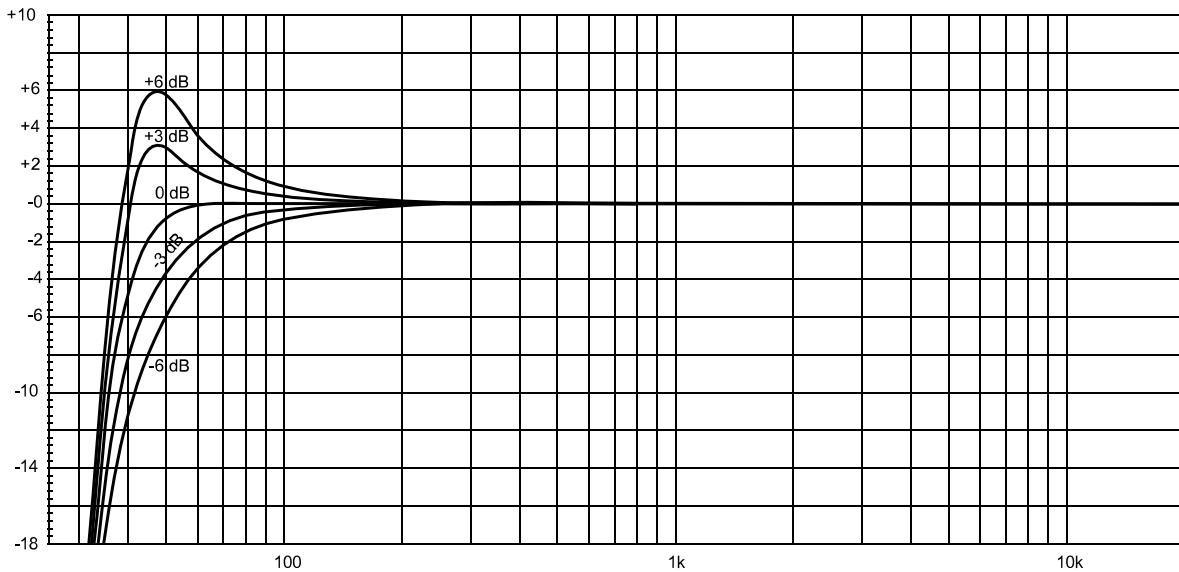
**IDI-SWM01**

<p>Wall mounting</p>	
<p>Eyebolt</p>	

**IDT-COVER110:** Cover for IDS110-T

**ARRAY EQ**

The ArrayEQ allows to adjust the system frequency response in its lower range (see curves below, with different ArrayEq values):

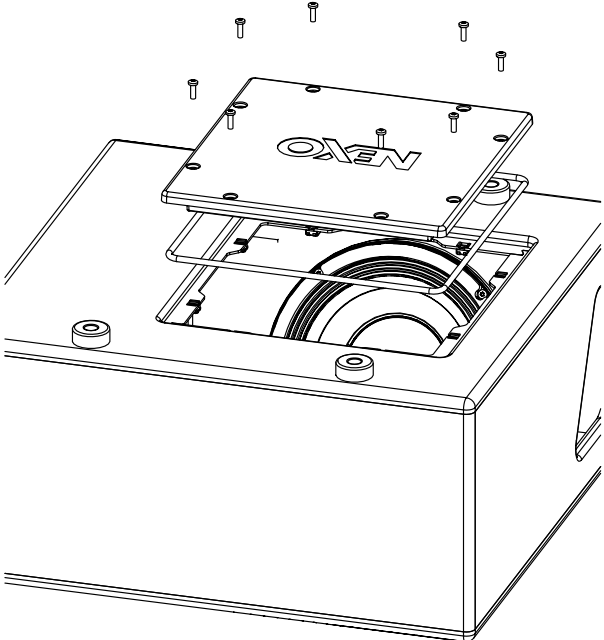
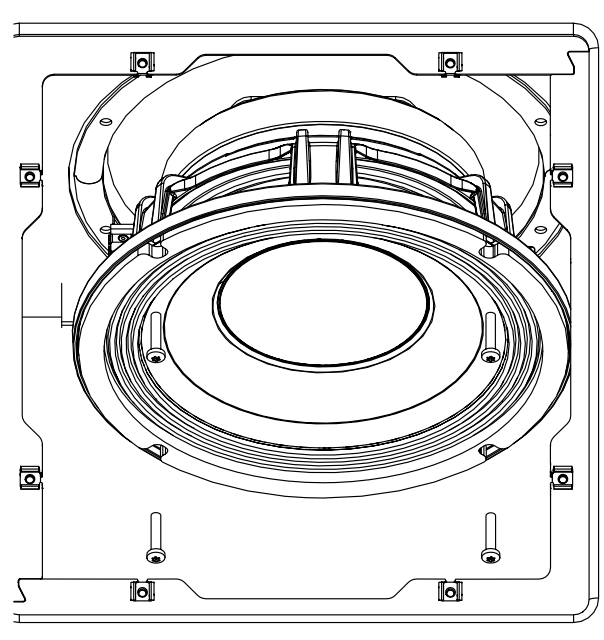
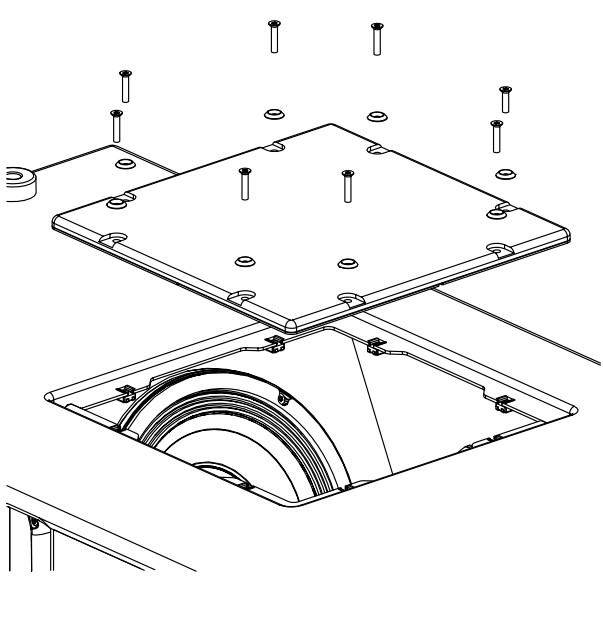
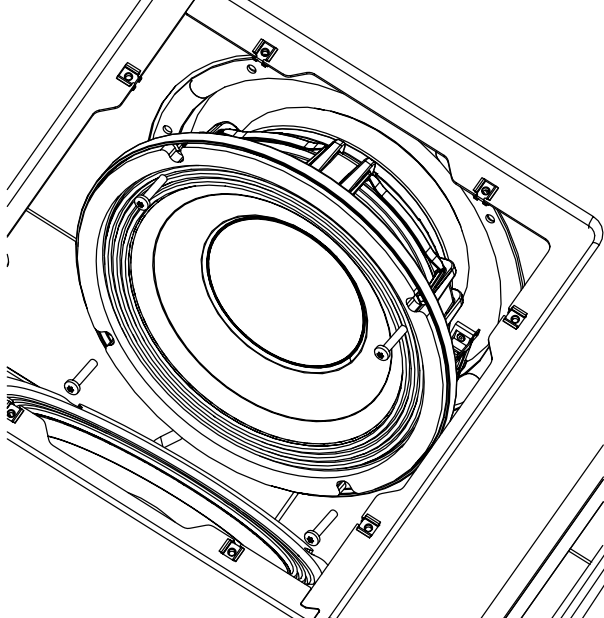




**MAINTENANCE**

**NOTE:**  
Speakers can be sent back to NEXO for recycling

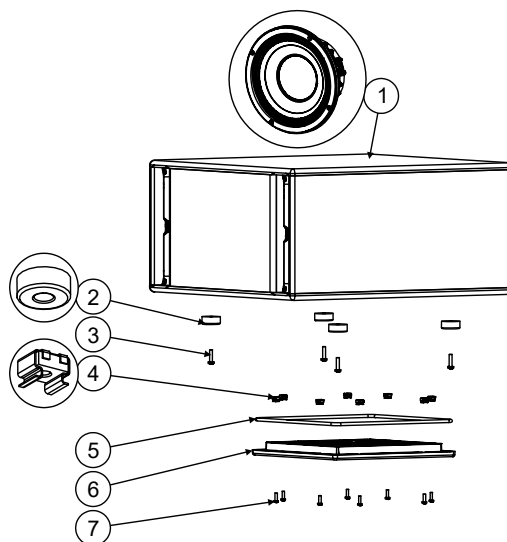
**10" driver access**

<p>IDS110</p>	<p>Remove the trap (8 screws).</p> 	<p>Remove 4 screws and the 10" driver.</p> 
<p>IDS210</p>		

**MAINTENANCE**

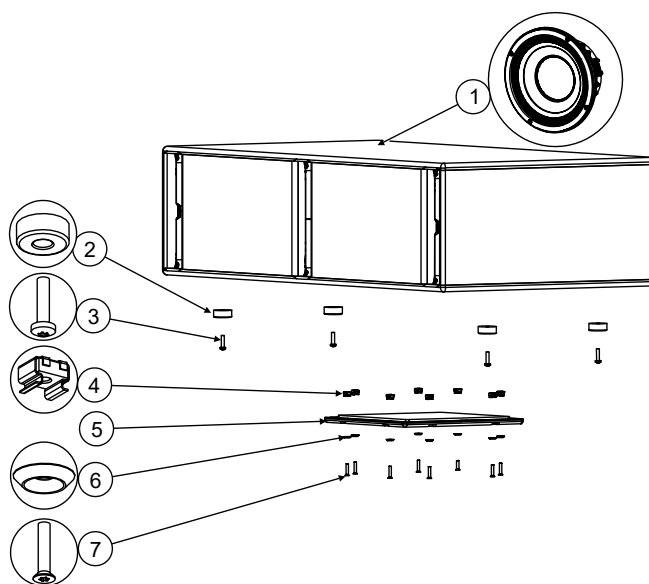
**Spare parts**

**IDS110**



MARK	QUANTITY	REFERENCE	DESIGNATION
1	1	05HPB10-4F	10" Driver (with screw and gasket)
2	4	05FTCC	Pied plastique 38x15
3	4	05VXTCBX625N-EM	Screw VXCBXN 6x25 (x10)
4	8	05VECRM5-2	Cage Nut M5 (x10)
5	1	05JNEOID10T	Trap Gasket
6	1	05PID10TRAP	Black Trap
	1	05PID10TRAPSW	White Trap
7	8	05VXTCBX516N-EL	Screw VXCBXN 5x16 Black (x10)
	8	05VXTCBX516-EL	Screw VXCBX 5x16 White (x10)

**IDS210**



MARK	QUANTITY	REFERENCE	DESIGNATION
1	2	05HPB10-4F	10" Driver (with screw and gasket)
2	4	05FTCC	Plastic Pad 38x15
3	4	05VXTCBX625N-EM	Screw VXCBXN 6x25 (x10)
4	8	05VECRM5-2	Cage Nut M5 (x10)
5	1	05COVERIDS210N	Black Trap (with gasket)
	1	05COVERIDS210	White trap (with gasket)
6	8	05VRX5FN	Black spring washer (x10)
	8	05VRX5FB	White spring washer (x10)
7	8	05VXTCFX520N-EL	Screw VXFVN 5x20 Black (x10)

**TECHNICAL SPECIFICATIONS**

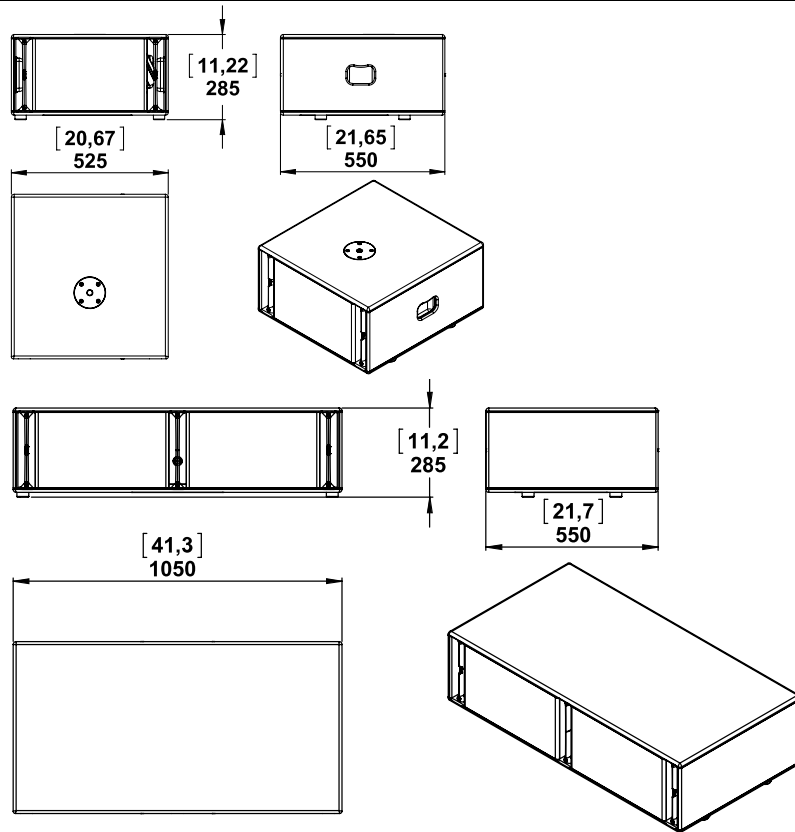
**IDS110 – IDS210 WITH NEXO ELECTRONICS**

Model	IDS110	IDS210
Frequency Range	43Hz – 130Hz (+/- 3dB)	43Hz – 130Hz (+/- 3dB)
Sensitivity (1W / 1m)	97dB SPL Nominal	103dB SPL Nominal
Operating voltage	45Vrms (180Vpeak)	45Vrms (180Vpeak)
Peak SPL Level (1m)	125dB Peak	131dB Peak
Crossover Frequency	85Hz / 120Hz	85Hz / 120Hz
Nominal Impedance	4Ω	2Ω
Recommended Amplification	400 to 650W	800 to 1300W

**SPECIFICATIONS**

Model	IDS110	IDS210
Components	1x 10" Long excursion	2x 10" Long excursion
Material	Finnish birch plywood	
Finish	Black or White structured paint	
Fittings	4x M6 Inserts M20 flange ( <b>T version only</b> )	
Connector	Touring version: 2x NL4, 4 poles connectors Instal version: 1x Cable gland with 2 cores cable	
Weight	21 kg / 47 lb	37 kg / 82 lb

**Dimensions**







**NEXO S.A.**

Parc d'activité de la Dame Jeanne  
F-60128 PLAILLY

Tel: +33 3 44 99 00 70

Fax: +33 3 44 99 00 30

E-mail: [info@nexo.fr](mailto:info@nexo.fr)

[nexo-sa.com](http://nexo-sa.com)

**NEXO**