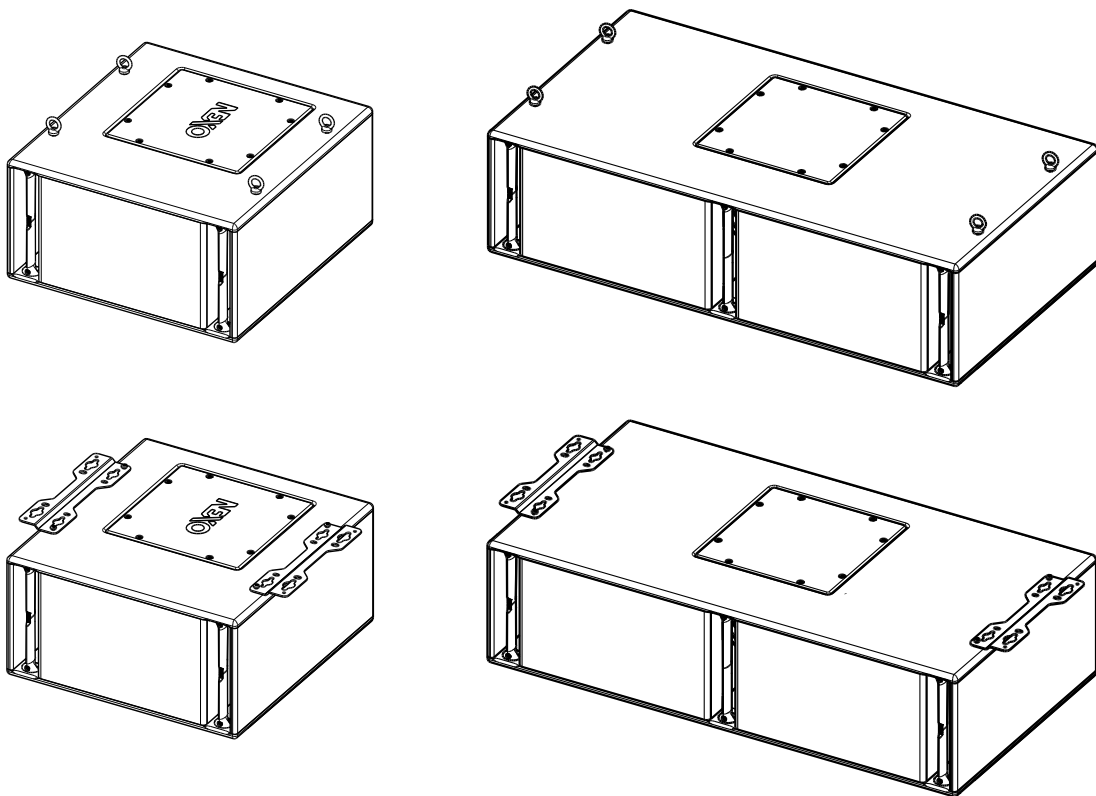


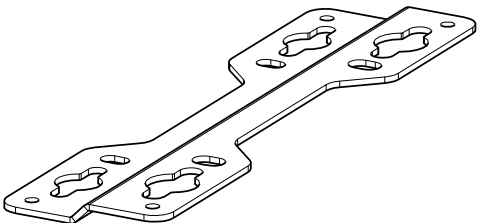
Wall Mount Bracket

IDS110i – IDS110t – IDS210i – IDS210t

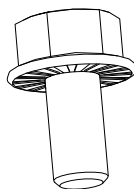


Contents:

X2



X4 M6x25 (thread lock coated)

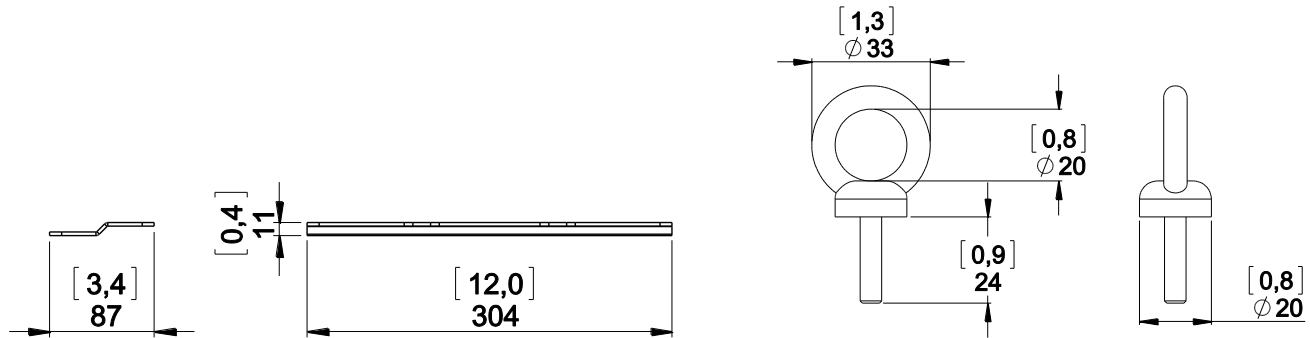


X4 M6x25 (thread lock coated)



Weight: 1.2 kg / 2.65 lb

Dimensions:



Installation:

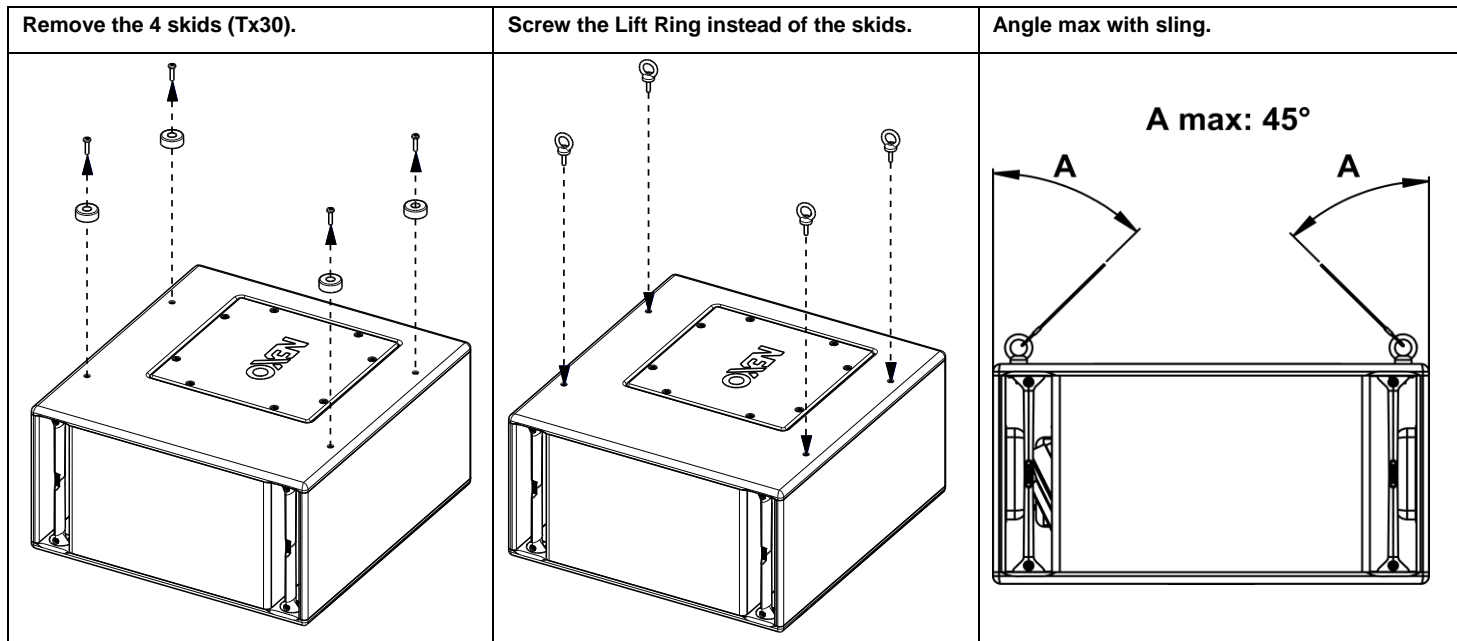
<p>For wall fixation, you have the choice between M8 and M10 (return the deck).</p>	<p>Fixing Holes M8</p>	<p>Fixing Holes M10</p>
---	------------------------	-------------------------

Spacing of drilling with ID110i – IDS110t.	Spacing of drilling with ID210i – IDS210t.

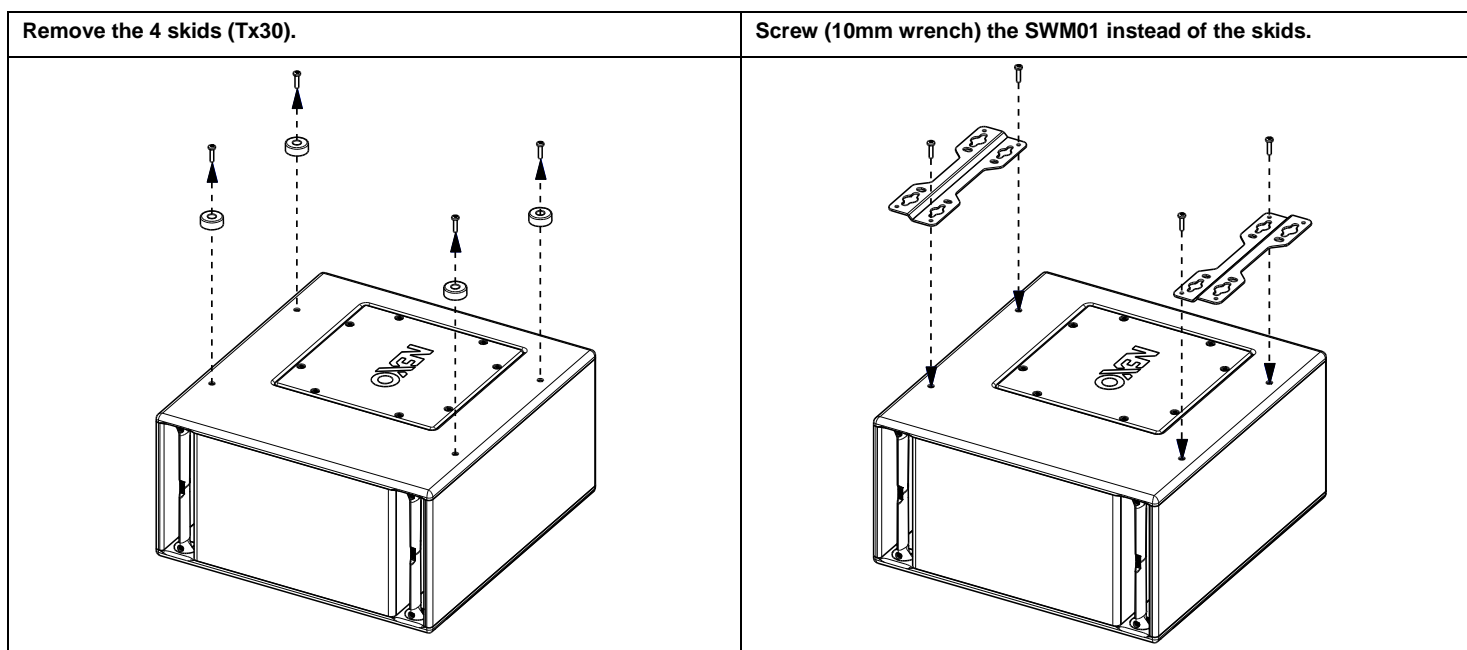


Use:

- With Lift Ring.



- With Wall Plate.



Use only fasteners and screws provided by NEXO.

NEXO

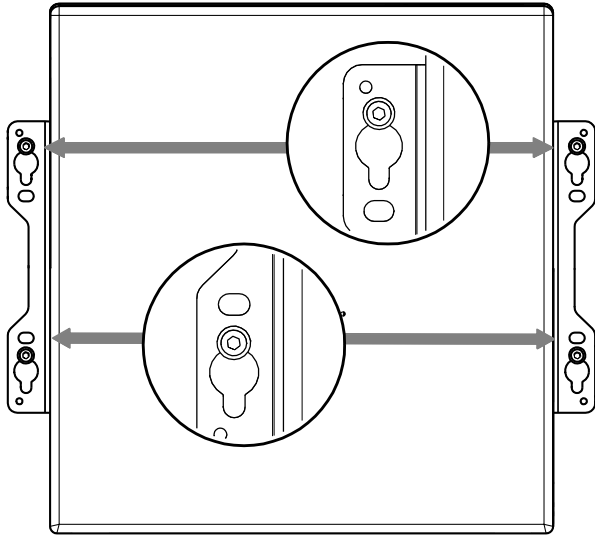
www.nexo-sa.com

ZA du pre de la Dame Jeanne

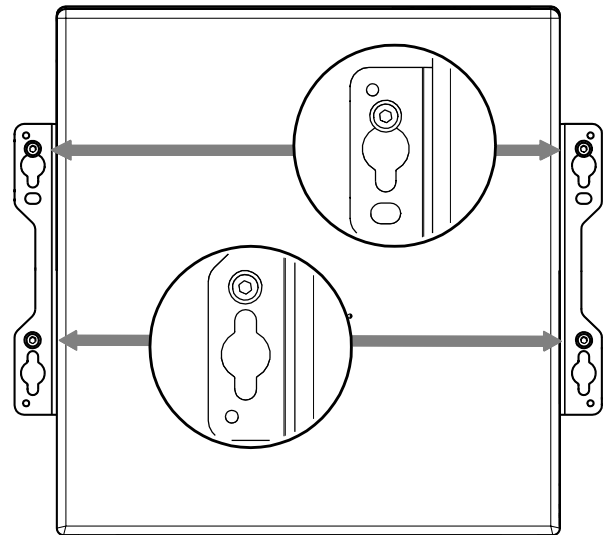
60128 PLAILLY-France

- Read this document before using.
- Keep this document.
- Observe all warnings and cautions.

Do not use the 4 slots to fix.



Use the 2 slots up and the 2 oblongs to fix.



!! Respect a distance of 25cm (10 inches) minimum between vents and wall (ground, wall or ceiling).

- **NEXO cannot accept responsibility for accidents caused by any factor other than defects in this product itself.**
- **Please check the web site www.nexo-sa.com for the latest update.**

NEXO

www.nexo-sa.com

ZA du pre de la Dame Jeanne

60128 PLAILLY-France

- Read this document before using.
- Keep this document.
- Observe all warnings and cautions.