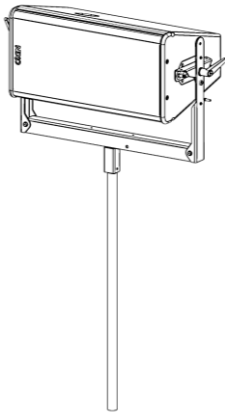
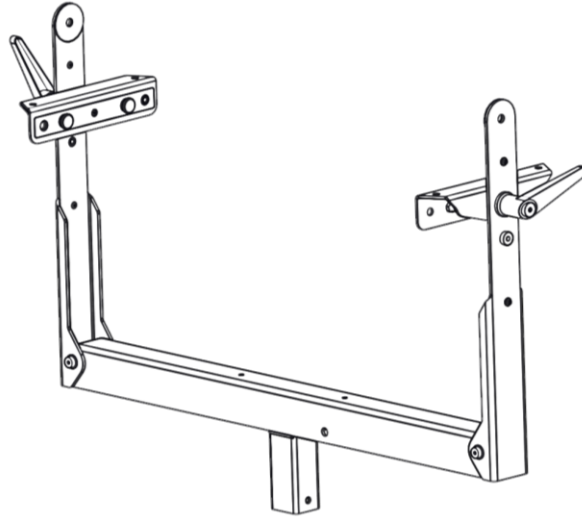
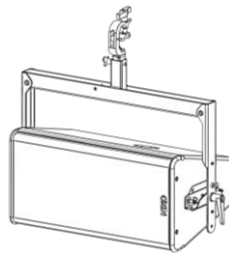


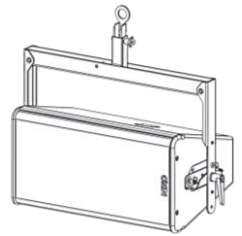
Pole Stand Bracket for 1 GEOS12



GPT-SSBRK + VNT-STDPS

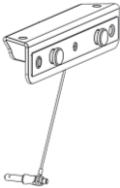
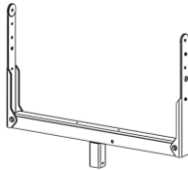
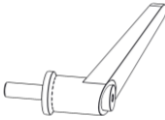



GPT-SSBRK + VNT-TCBRK



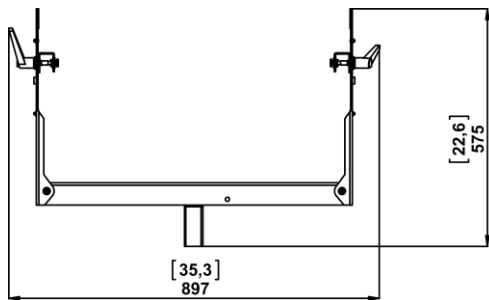
GPT-SSBRK + VNT-XHBRK

Contents:

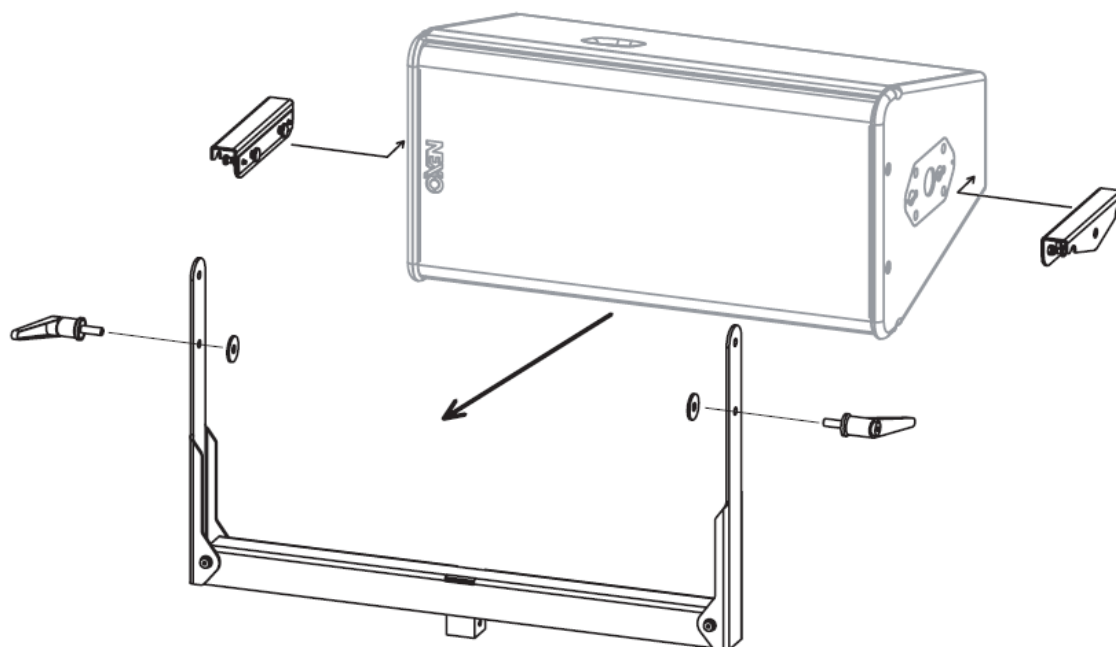
<p>x2 Side Part</p> 	<p>x1 Yoke</p> 	<p>x2</p> 	<p>x2 Plastic Washer</p> 
---	--	--	--

Weight: 7.5 kg / 16.5 lb

Dimensions:



Procedure of Assembly



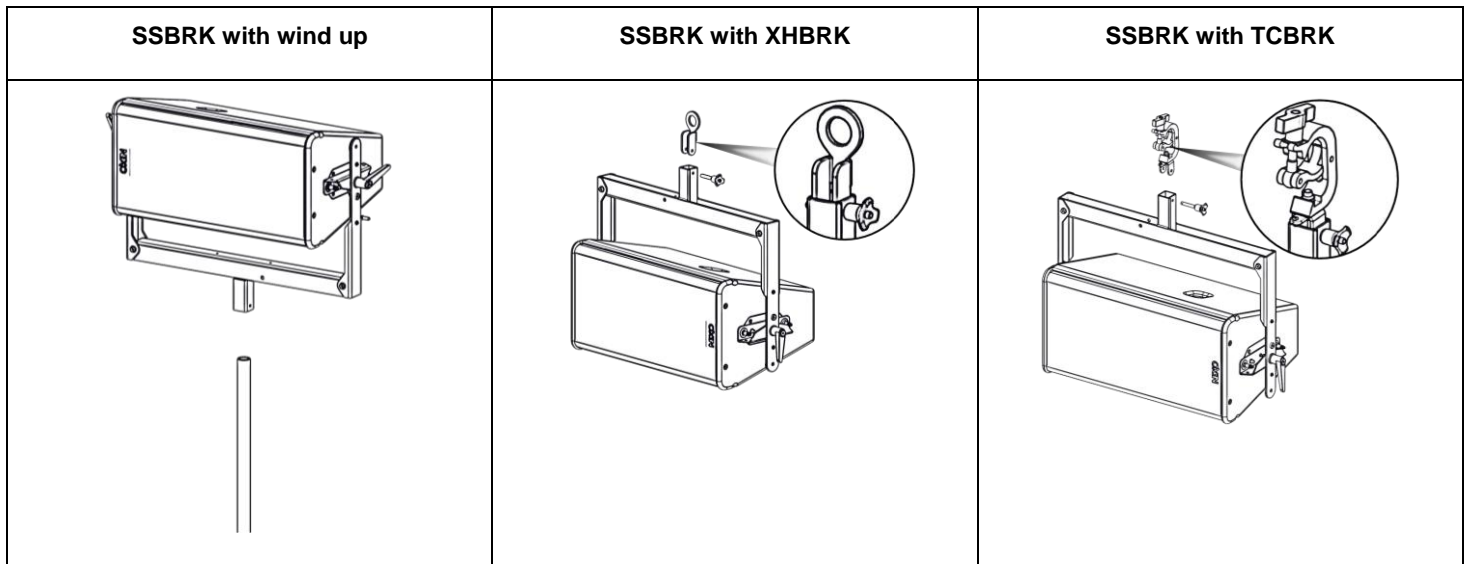
Slide side parts into GEO S12 connecting plate oblong holes.	Lock safety pins into GEO S12 connecting plate.	Screw 2 levers, with Plastic washers.

NEXO

nexo-sa.com
 ZA du Pre de la Dame Jeanne
 60128 PLAILLY - France

- Read this document before using.
- Keep this document.
- Observe all warnings and cautions.





WARNING:

- Wind Up stand must be rated for assembly weight (50kg rated load min).
- Wind Up stand must always be installed on a horizontal surface.
- Stand height and footprint must be defined to prevent assembly from collapsing.
- Ensure that public is not allowed within a safety area within a radius that is equal or higher than the assembly height.

- NEXO cannot accept responsibility for accidents caused by any factor other than defects in this product itself.
- Please check the web site nexo-sa.com for the latest update.

NEXO

nexo-sa.com
 ZA du Pre de la Dame Jeanne
 60128 PLAILLY - France

- Read this document before using.
- Keep this document.
- Observe all warnings and cautions.

