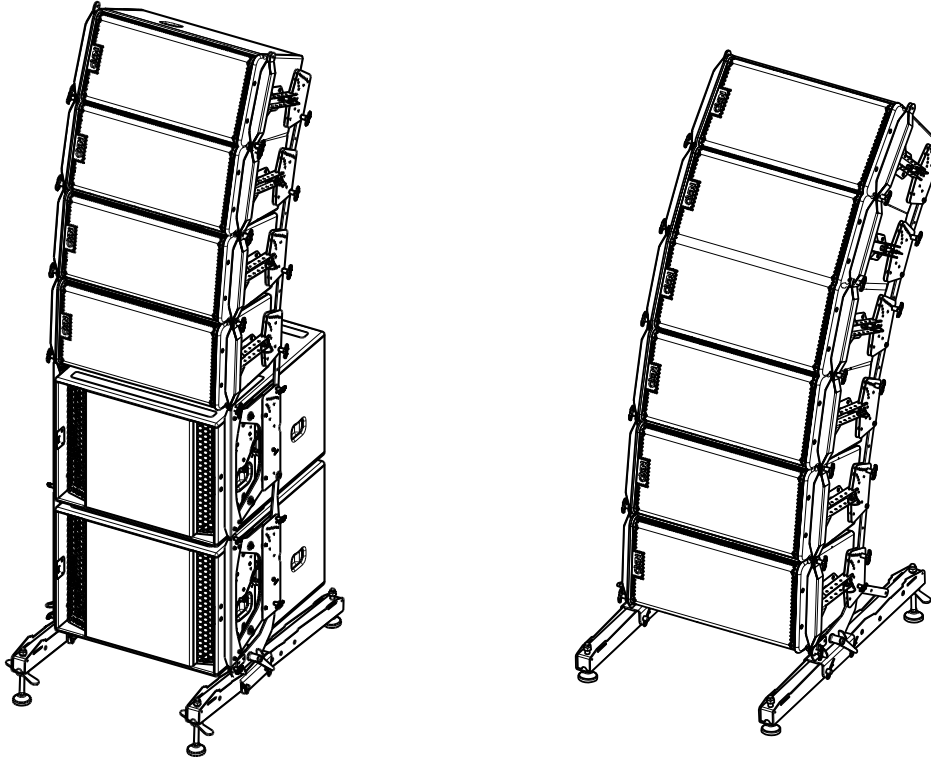
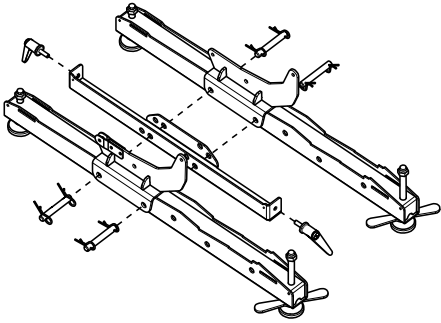
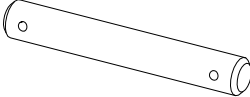
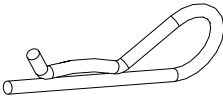
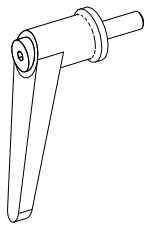


Ground Stack S12/LS18

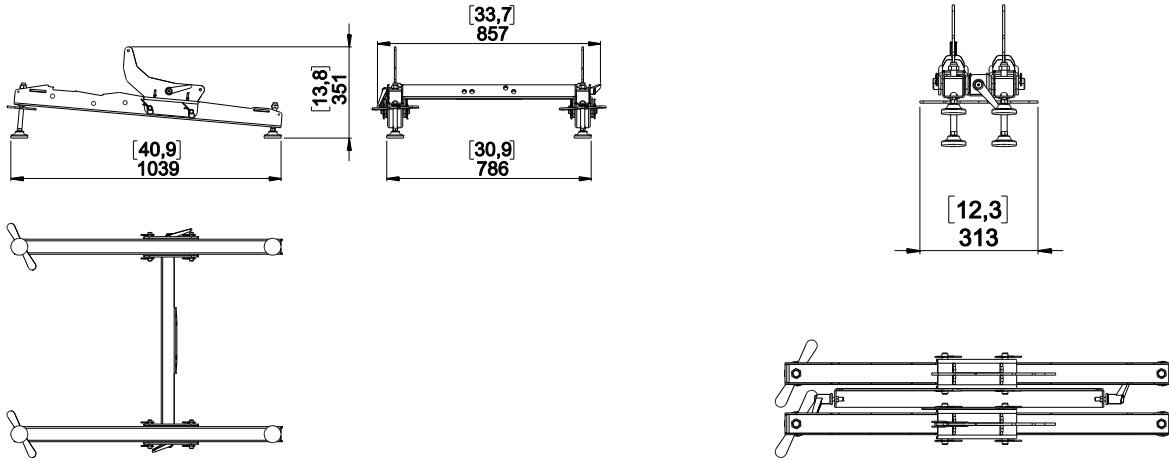


Contents:

X1	X4	X8	X2
	05VAX16-110N 	05VGOU3 	12MANTM10 

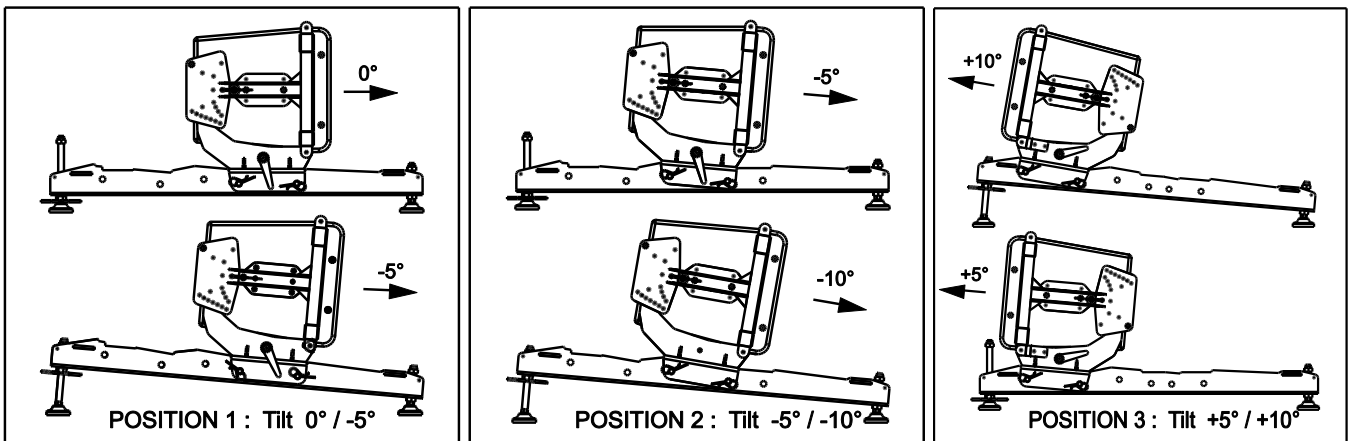
Weight: 26.5 kg / 58.5 lb

Dimensions:

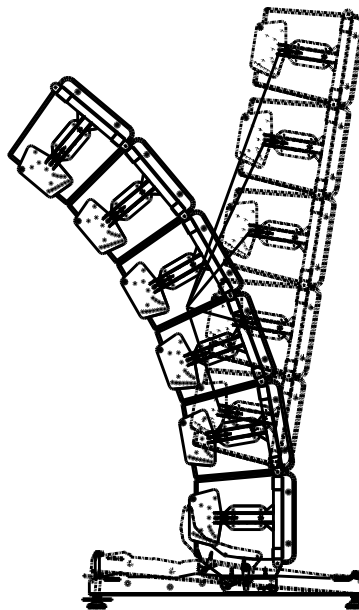


Depending on tilt angle – negative, null or positive - to be achieved, there are three positions to connect above assembly to the supporting beams.

Below drawings detail these configurations:



WARNING: Use only 6 GEOS12 Max



- NEXO cannot accept responsibility for accidents caused by any factor other than defects in this product itself.
- Please check the web site nexo-sa.com for the latest update

NEXO

nexo-sa.com
ZA du Pre de la Dame Jeanne
60128 PLAILLY - France

- Read this document before using.
- Keep this document.
- Observe all warnings and cautions.

