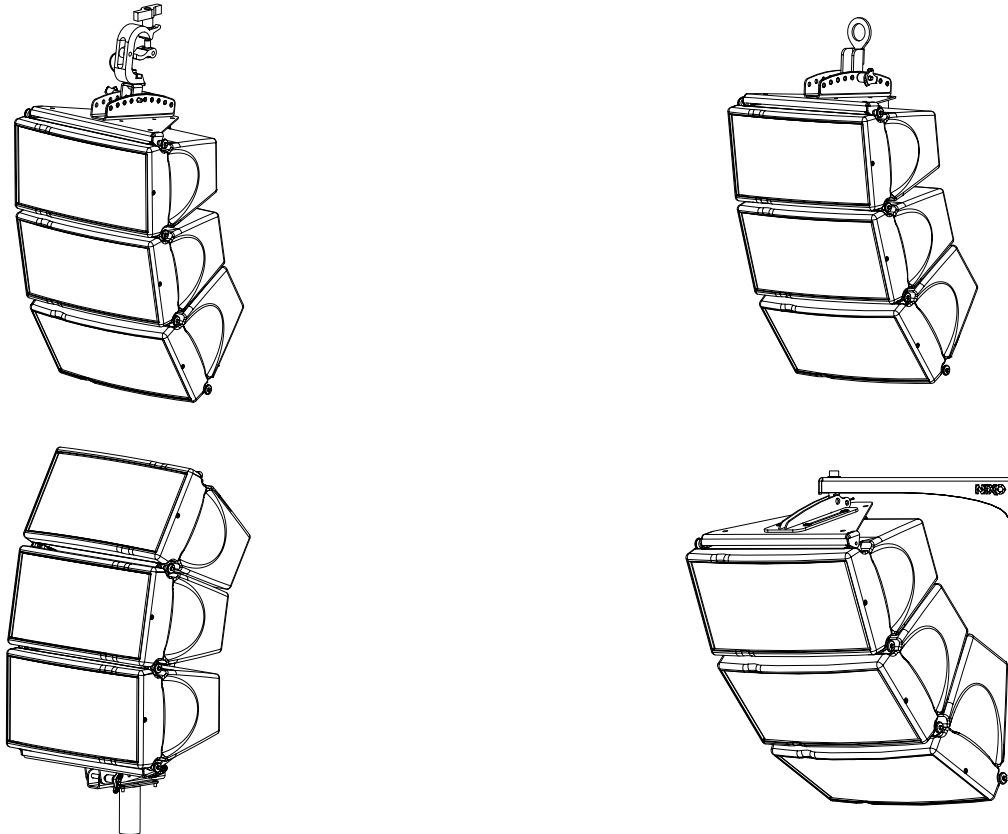
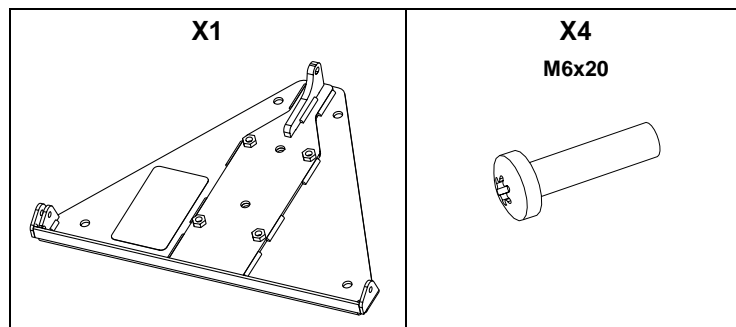


Light Bumper for GEOM6



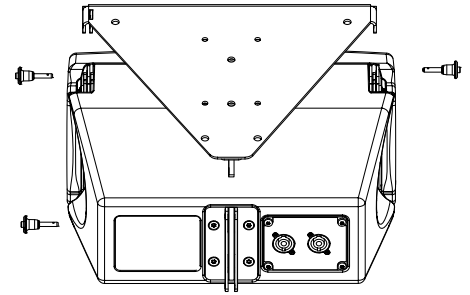
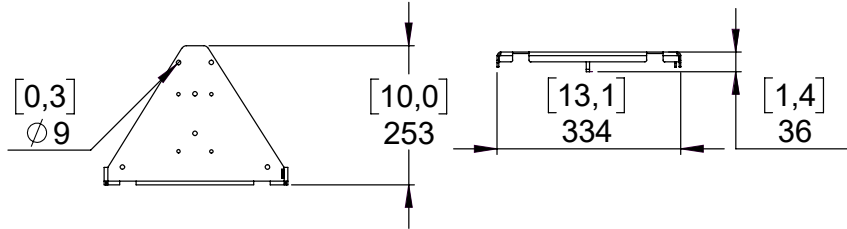
Contents:



Weight: 1.9 kg / 4.2 lb

Dimensions:

Assembly on GEOM6 with VXT-BL515



4 holes Ø 9 mm for wall mount.

!!! USED 3x Geo M6 max

You can use VXT-BL515 (quick release pins) or GMI-BNFIK (rigging fix kit)

<p>With GMT-LBUMP + VNT-TCBRK</p>	<p>With GMT-LBUMP + VNT-XHBRK</p>
<p>With GMT-LBUMP + VNT-POLE</p>	<p>With VNI-WS15</p> <p>Use only the provided screws (6x20). Risk of damage the cabinet with too long screw. Apply Loctite 243 on the screw before.</p>

IMPORTANT
 Ensure all pins (VXT-BL515 or GMI-BNFIK) are properly locked
 Check NS-1 for mechanical Safety Working Load

- NEXO cannot accept responsibility for accidents caused by any factor other than defects in this product itself.
- Please check the web site nexo-sa.com for the latest update.



nexo-sa.com
 ZA du Pre de la Dame Jeanne
 60128 PLAILLY - France

- Read this document before using.
- Keep this document.
- Observe all warnings and cautions.

