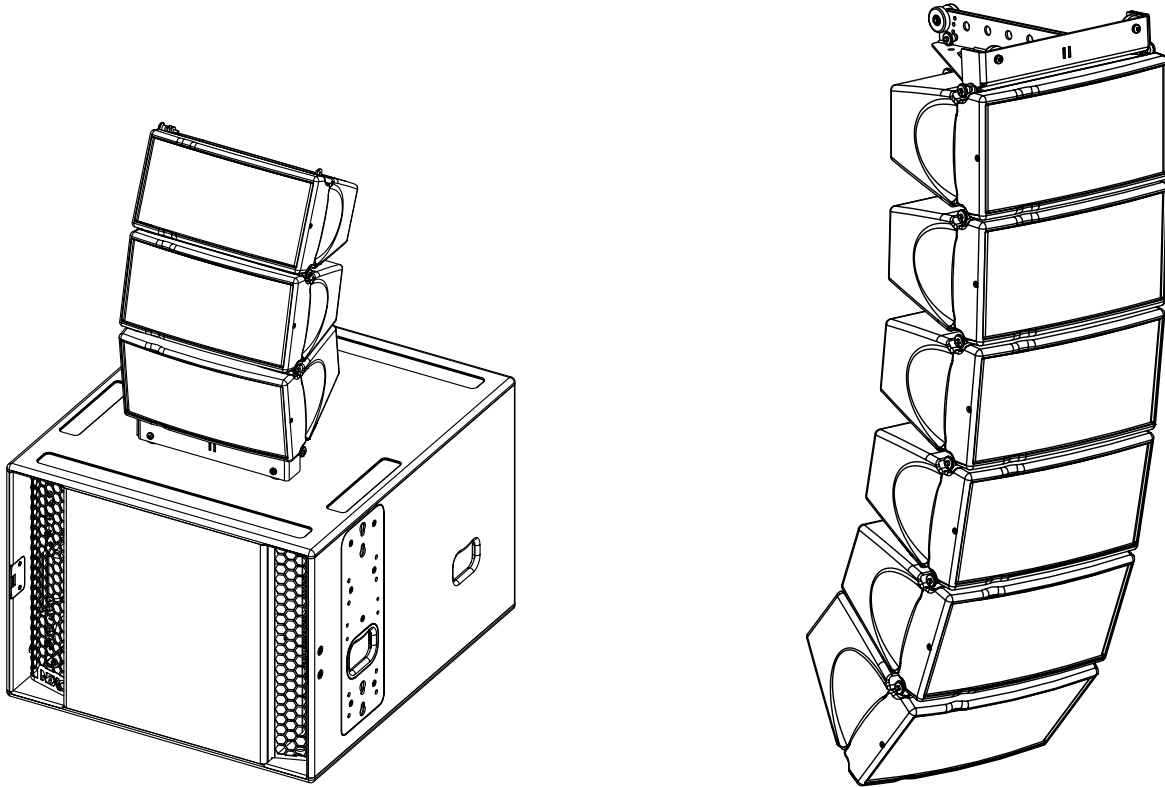
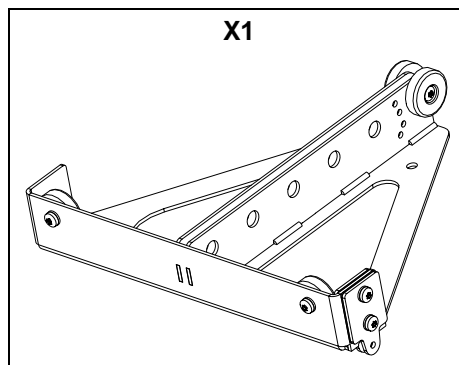


Bumper GEOM6

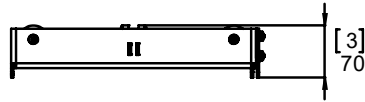
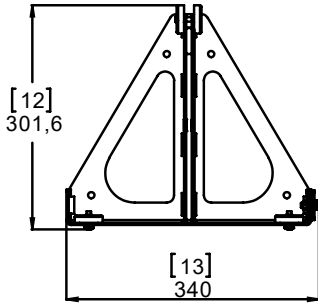


Contents:



Weight: 2.2 kg / 4.9 lb

Dimensions:



Use:

<p>Stack with GMT-BPADPT-2 Rated for a maximum of 6x GEOM6 on a single LS18 in any inter cabinet angle configuration.</p>	<p>Flown Rated for a maximum of 12x GEOM6 for flown vertical cluster</p>

IMPORTANT
 Ensure all pins (VXT-BL515 or GMI-BNFIX) are properly locked
 Check NS-1 for mechanical Safety Working Load

- NEXO cannot accept responsibility for accidents caused by any factor other than defects in this product itself.
- Please check the web site nexo-sa.com for the latest update.