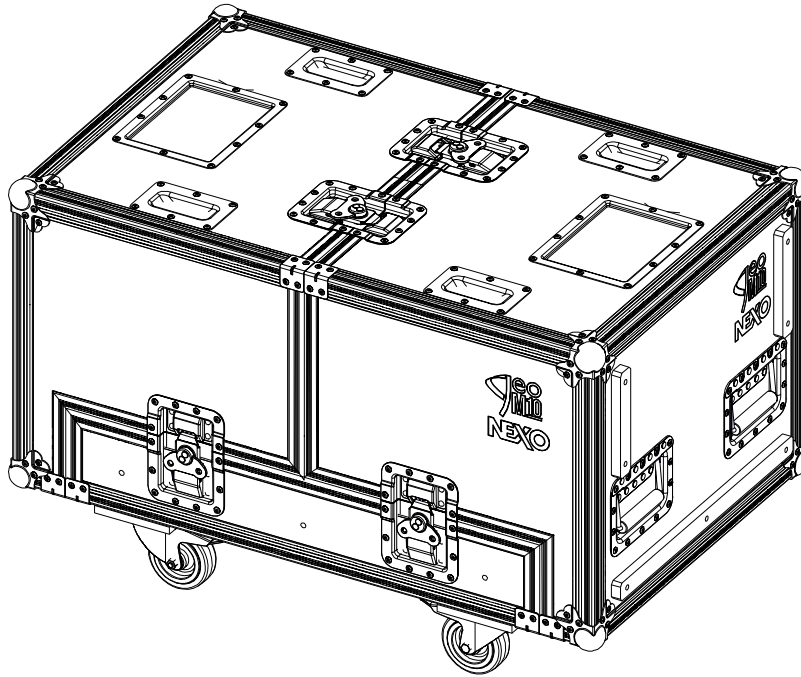
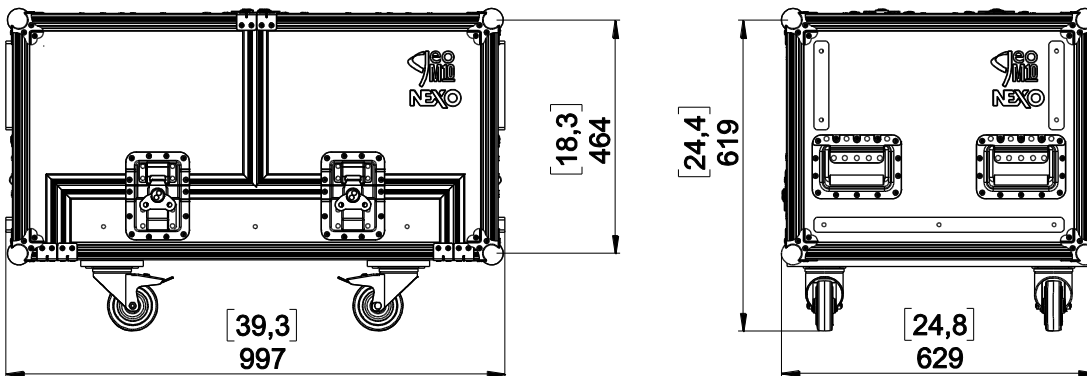


### Flight Case for 3x GeoM10



#### Dimensions:



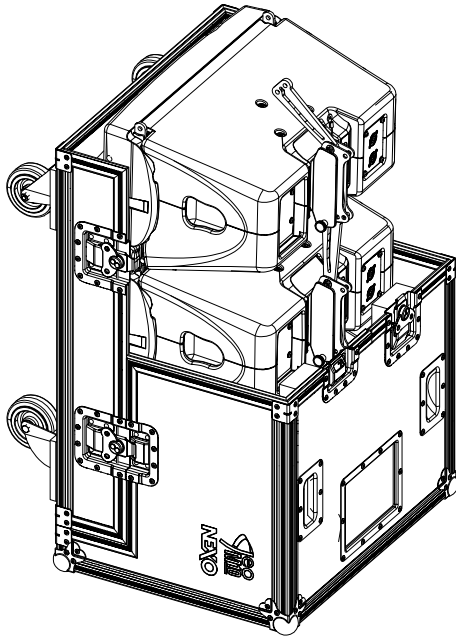
Weight: 40 kg / 88 lb

**Use:**

- Put back up the flight
- Open the 'L' cover
- Mounting the Bumper (GMT-LBUMPM10 / VNT-BUMPM10) and if necessary the extension bar (GMT-EXBARM10L / VNT-EXBARM10)

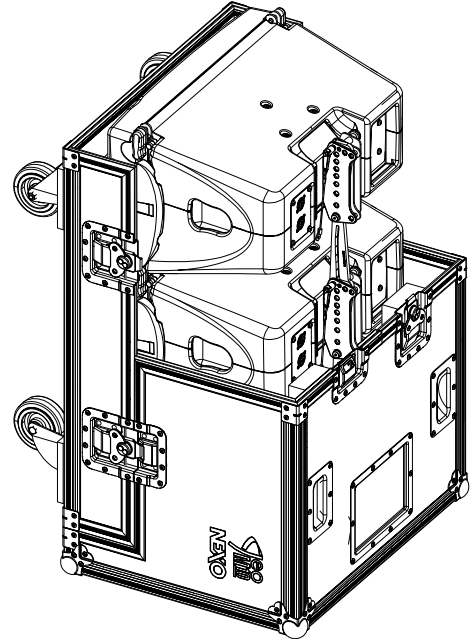
**HF on the left**

Take out GEOM10 link bar;  
Place the Bumper;  
Front: lock with quick release pins;  
Adjust the angle with the Bumper link bar;

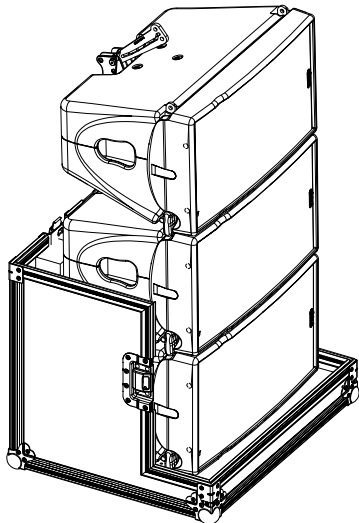


**HF on the right**

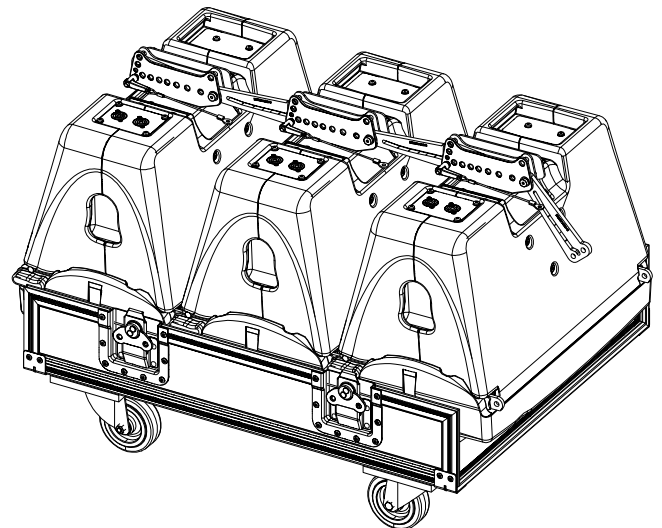
AutoRig™ in Autolock™ status;  
Place the Bumper;  
Check that it is properly engaged;  
Adjust the angle with Bumper link bar;



**Remove the wheel board to change the flanges**



**Easy access to the connectors**



- NEXO cannot accept responsibility for accidents caused by any factor other than defects in this product itself.
- Please check the web site [www.nexo-sa.com](http://www.nexo-sa.com) for the latest update.



www.nexo-sa.com  
ZA du pre de la Dame Jeanne  
60128 PLAILLY-France

- Read this document before using.
- Keep this document.
- Observe all warnings and cautions.