

# NEXO

I N N O V A T E

Geo  
S1230  
SPARE PARTS

**NEXO-SA**  
AFTER SALE DEPARTMENT  
PARC DU PRE DE LA DAME JEANNE  
60128 PLAILLY

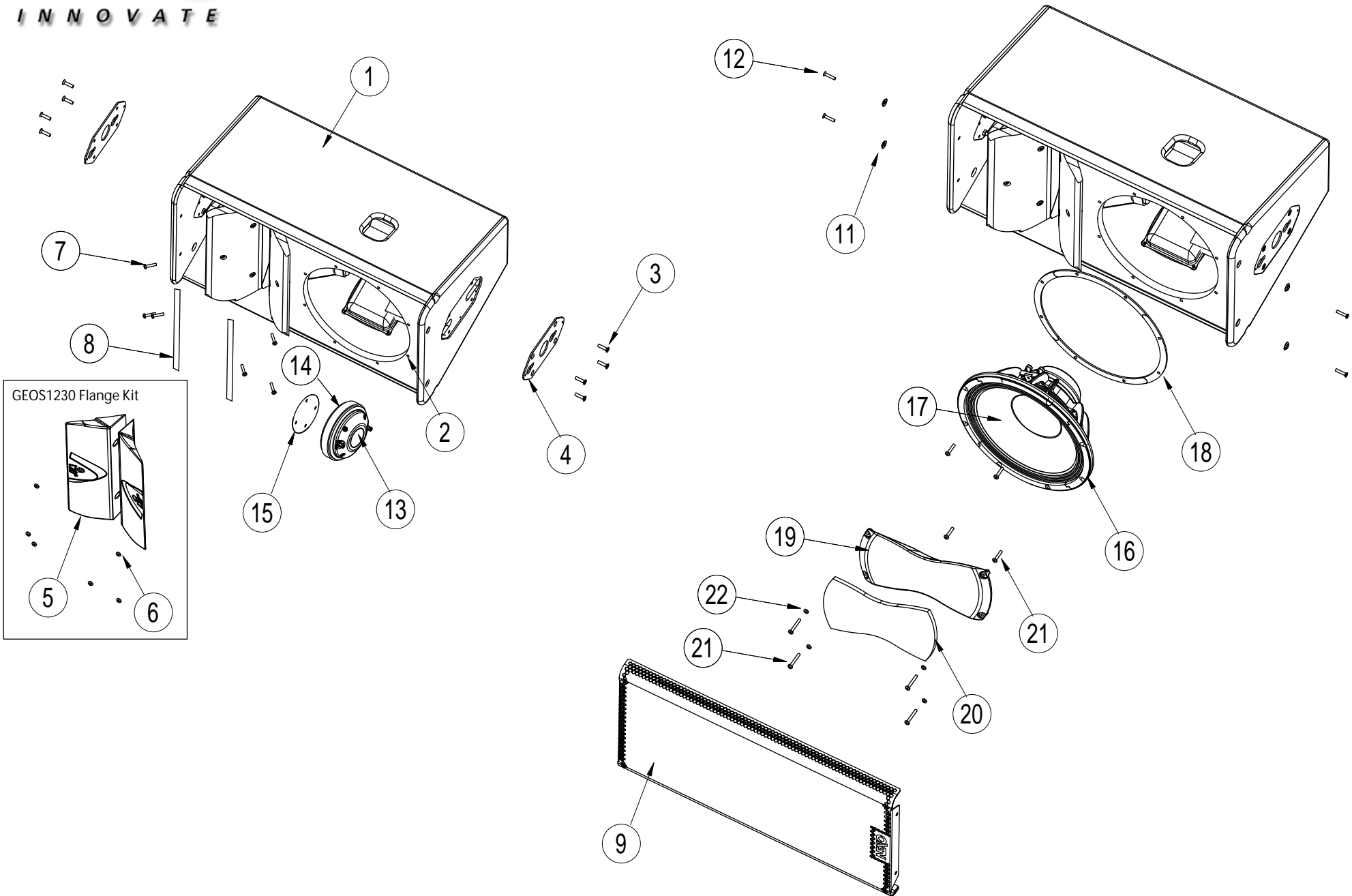
**FRANCE**

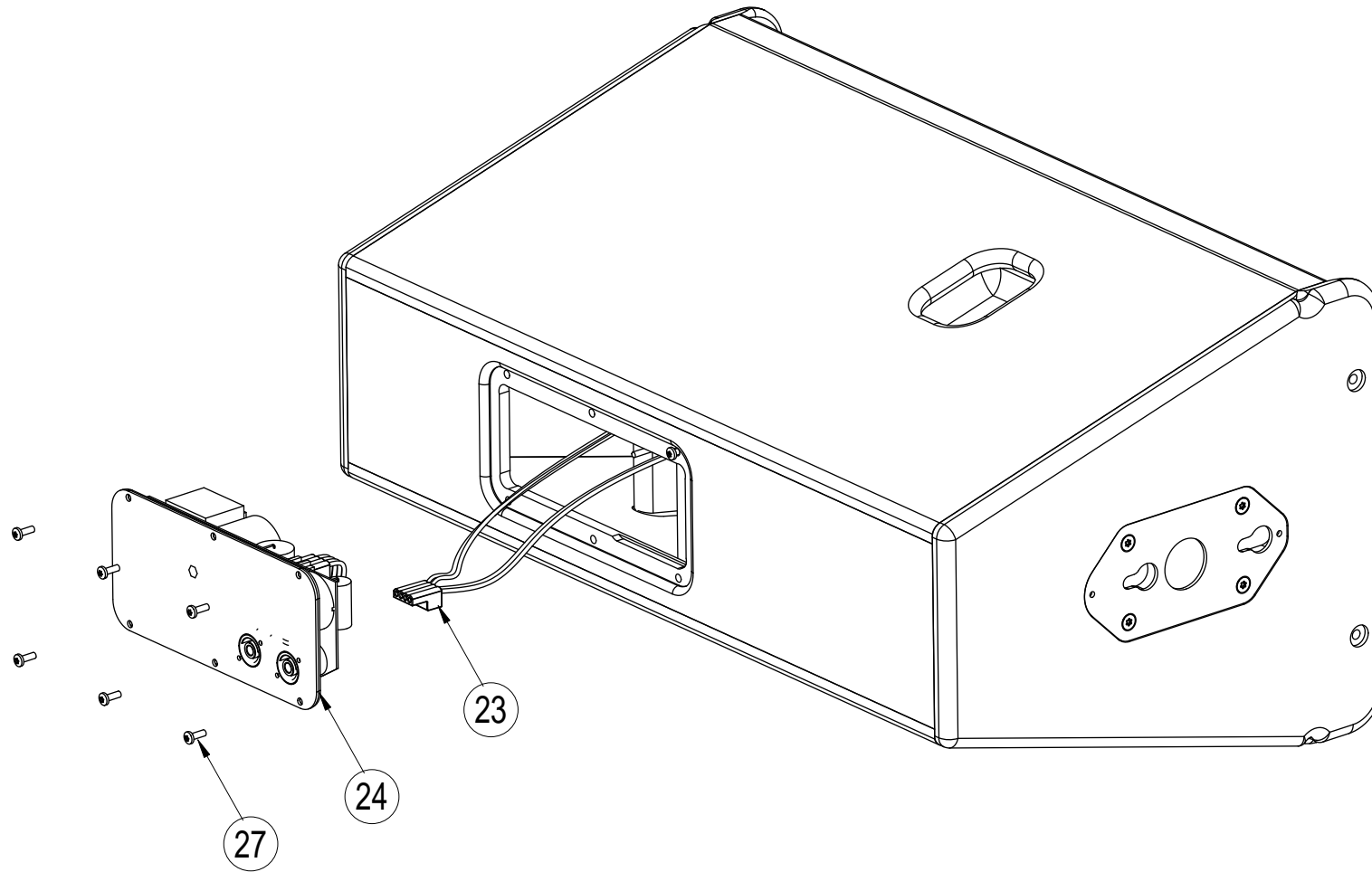
Email : [gilbert.laporte@nexo.fr](mailto:gilbert.laporte@nexo.fr)

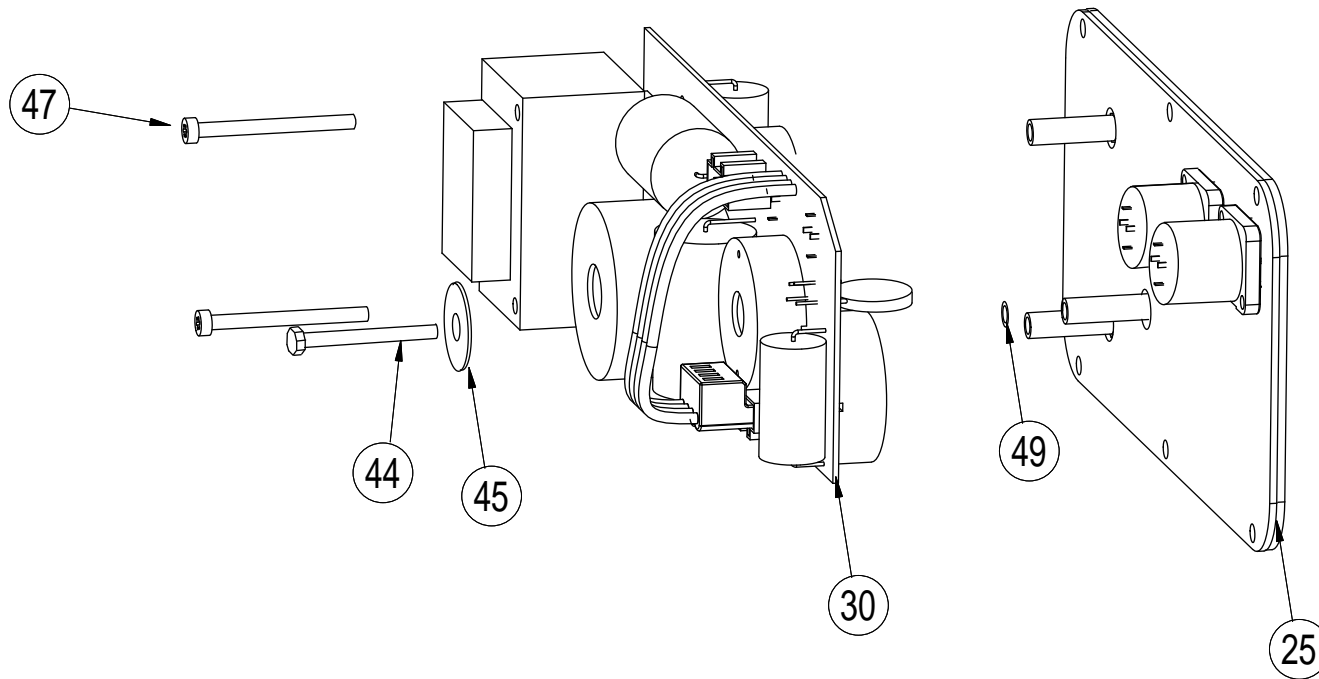
# NEXO

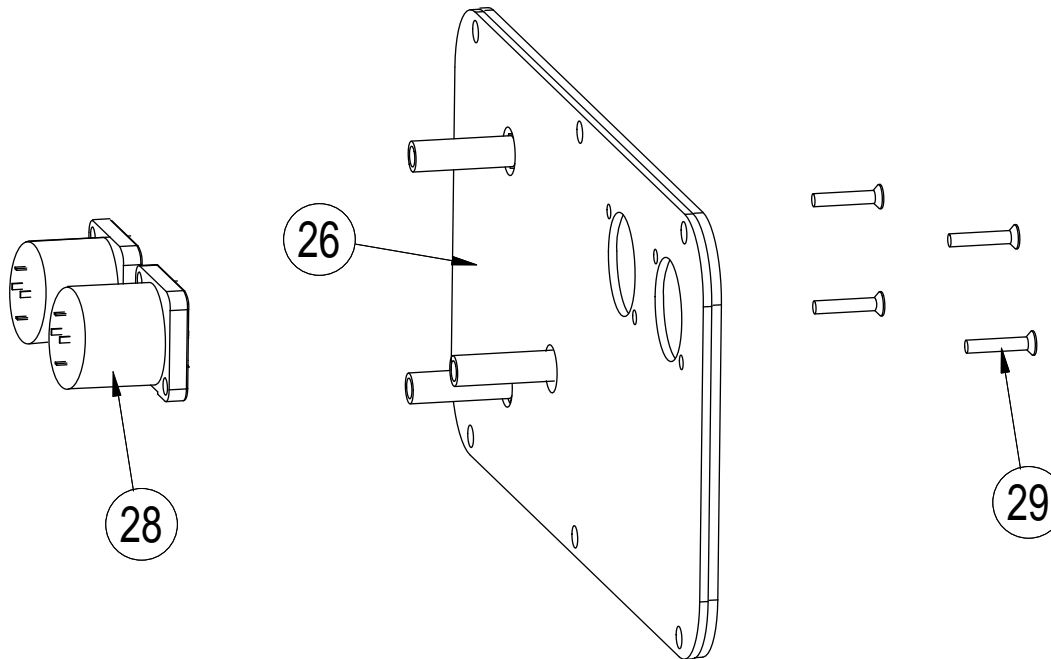
INNOVATE

## GEOS1230 FRONT VIEW





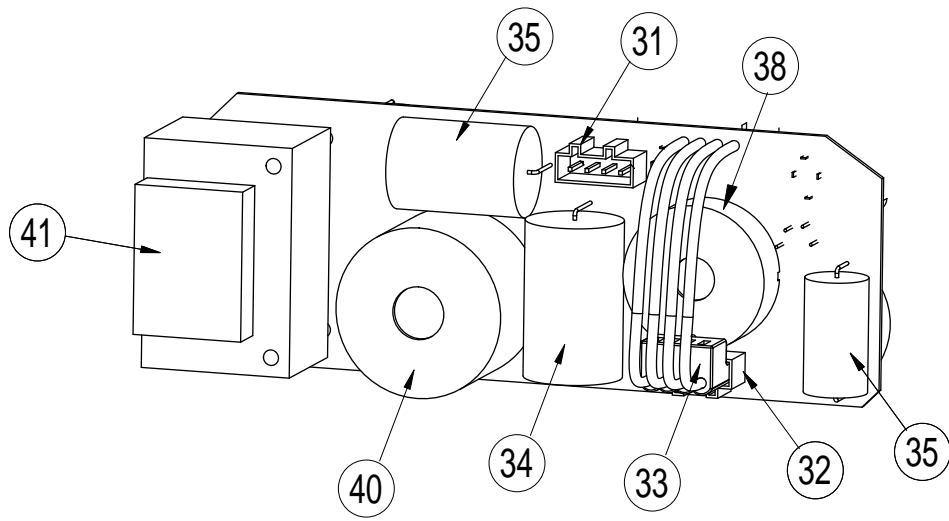




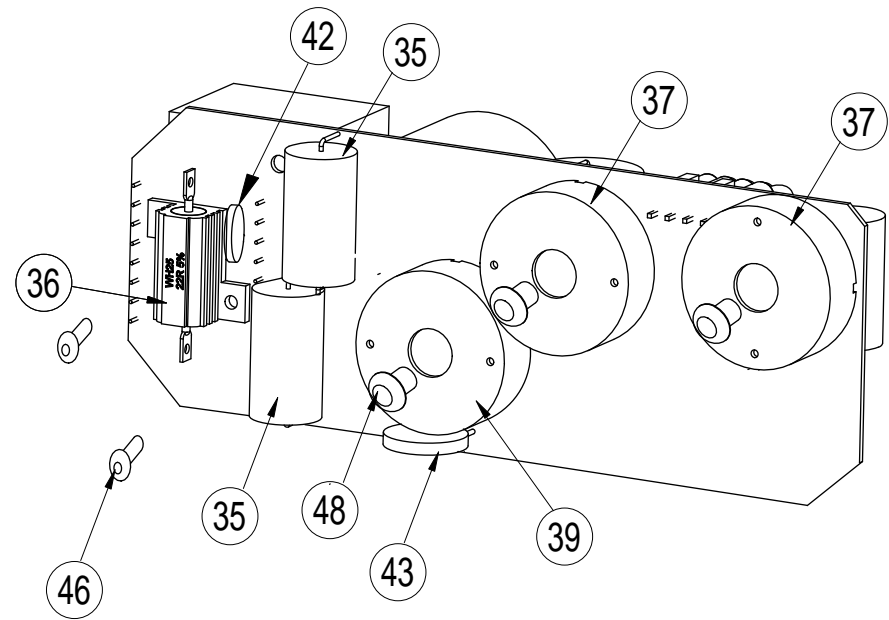
# NEXO

INNOVATE

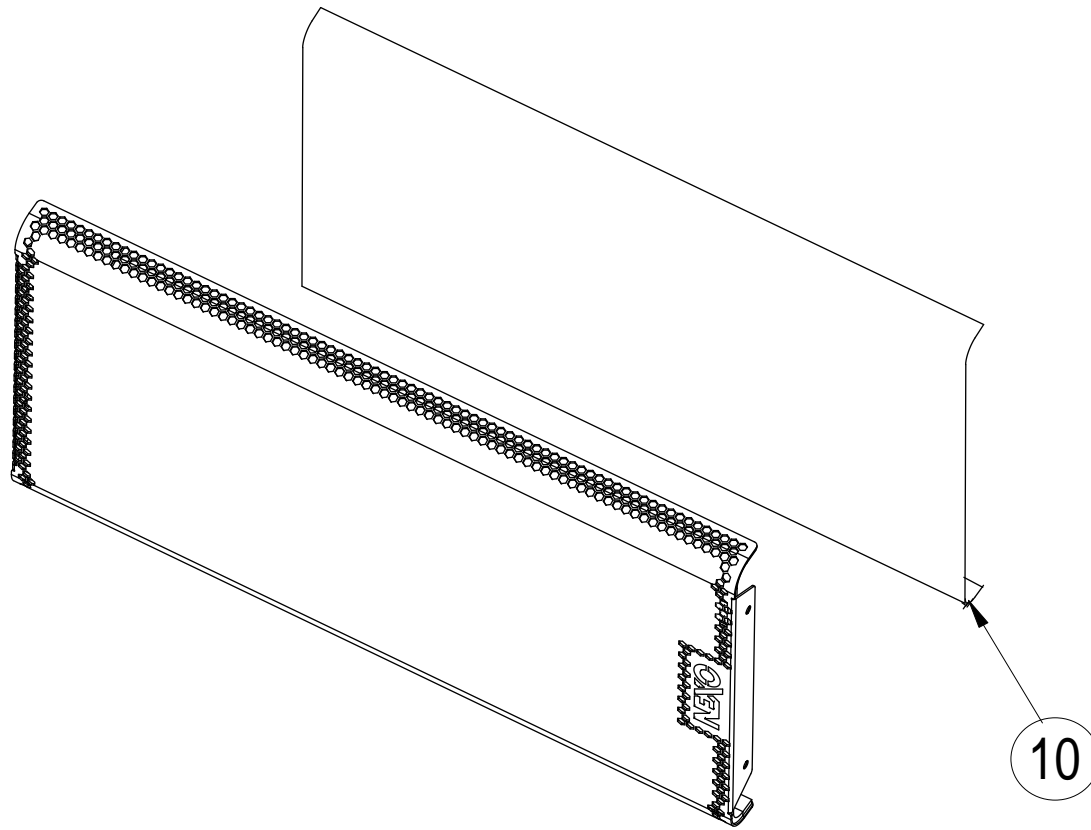
## GEOS1230 PASSIVE FILTER VIEW



Front filter



Rear filter



MARK	QUANTITY	ASSEMBLY	SUB ASSEMBLY	PART REFERENCE	DESIGNATION
<b>GEOS1210</b>					
1	1	<b>05EBGEOS1230</b>		05EBGEOS1230	GEOS1230 EMPTY BOX
2	20			05VUNIM5	UNIMERCO T-NUT M5
3	8			05VXTCFX620N	BLACK TORX FLAT HEAD SCREW 6X20
4	2			05AMACCP8EXT-V2	GEOS12 EXTERNAL PLATE FOR RIGGING
5	2			05PFLANGE-GS1230	GEOS1230 FLANGE 120°
6	6			05VRND5.3	NYLON WASHER 5.3 x 10
7	6			05VXTCBX525N	BLACK TORX BUTTON HEAD SCREW 5X25
8	1			05JNEOP14X2	NEOPREN GASKET 14 X 2 (10m)
9	1		<b>05GEOS12-UA</b>	05GEOS12-UA	GEOS12 COMPLETE GRILL
10	1			05MBULPEGEOS12	GEOS12 FOAM GRILL
11	4			05VRX5FN	FLAT WASHER 90°
12	4			05VXTCFX525N	BLACK TORX FLAT HEAD SCREW 5X25
13	1		<b>05HPADE60-16</b>	05HPADE60-16	DE60 DRIVER hf 16 Ohm
14	1			05NH91-16R/K	DE910-16 / DE60-16 DIAPHRAGM
15	1			05MPPIHM	FOAM GASKET
16	1		<b>05HPB12ND16</b>	05HPB12ND16	BASS DRIVER 12" NEODYNIUM ( 16 Ohms )
17	1			05HPB12ND16R/K	HPB12ND16 RECONE KIT
18	1			05JNEOHPBLS40	12" BASS DRIVER GASKET
19	1			05PMP-GEOD10	GEOD10 & GEOS12 PMP
20	1			05JNEOPMPGS12	GEOS12 PMP GASKET
21	8			05VXTCBX535N	BLACK TORX BUTTON HEAD SCREW 5X35
22	4			05VRND5.3	NYLON WASHER 5.3 x 10
23	1		<b>05GEOS12-F</b>	05GEOS12-F	GEOS12 INTERNAL WIRING
24	1	<b>05GEOS12-FPC</b>		05GEOS12-FPC	GEOS12 COMPLETE PASSIVE FILTER
25	1		<b>05GEOS12-FPA</b>	05GEOS12-FPA	GEOS12 CONNECTION PLATE
26	1			05JNEOCNXGEOS12	GEOS12 GASKET CONNECTION PLATE
27	6			05VXTCBX525N	BLACK TORX BUTTON HEAD SCREW 5X25
28	2			05CNXNL4MDV	SPEAKON NL4MDV
29	4			05VRI3.216N	BLACK ALUMINIUM RIVET 3.12X16



<b>30</b>	1		<b>05GEOS12-FPB</b>	<b>05GEOS12-FPB</b>	GEOS12 PASSIVE FILTER
<b>31</b>	1			<b>05CNX721-164/001</b>	MALE CONNECTOR 721-164/0001-000
<b>32</b>	1			<b>05CNX722-134</b>	FEMALE CONNECTOR CNX722-134
<b>33</b>	1			<b>05CNX721-604</b>	MALE CONNECTOR CNX721-604
<b>34</b>	1			<b>05FCNP15</b>	CAPACITOR 15F MKP PB 400Vdc 5%
<b>35</b>	4			<b>05FCNP4.7</b>	CAPACITOR 4.7 #F MKP PB 400V 5%
<b>36</b>	1			<b>05FR25W33</b>	RESISTOR WH25 33R
<b>37</b>	2			<b>05FS1.5MH0.9R</b>	COIL 1.5MH 0.9R 3%
<b>38</b>	1			<b>05FS100H3.0</b>	COIL 3.0MH 100G R20
<b>39</b>	1			<b>05FS2.1MH2.3R</b>	COIL 2.1MH 2.3R 3%
<b>40</b>	1			<b>05FS300H0.9</b>	COIL 0.9 mH 300 gr.
<b>41</b>	1			<b>05FSI5MH0.3R</b>	COIL 15MH 0.3R
<b>42</b>	1			<b>05PLSW185RXEF</b>	POLYSWITCH RXE 185 WITHOUT LEAD
<b>43</b>	1			<b>05PLSW250RXEF</b>	POLYSWITCH RXE 250 WITHOUT LEAD
<b>44</b>	1			<b>05VLTH550</b>	BRASS SCREW 5X50
<b>45</b>	1			<b>05VRA630Z</b>	WHASHER 6X30
<b>46</b>	2			<b>05VRI3.216N</b>	BLACK ALUMINIUM RIVET 3.12X16
<b>47</b>	2			<b>05VXTCHC445</b>	CHC SCREW 4X45
<b>48</b>	4			<b>05VRIVNYL5X8</b>	NYLON RIVET
<b>49</b>	1			<b>05VRND5.3</b>	RONDELLE NYLON 5.3 x 10