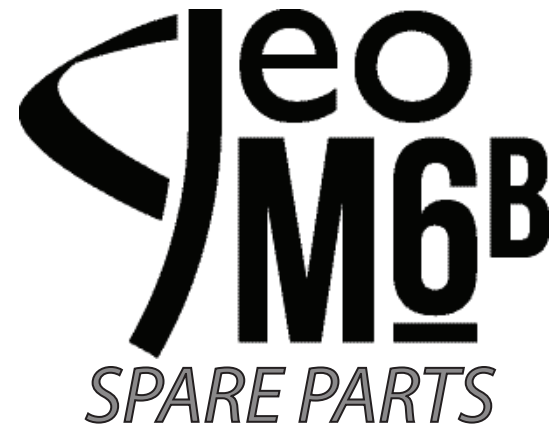
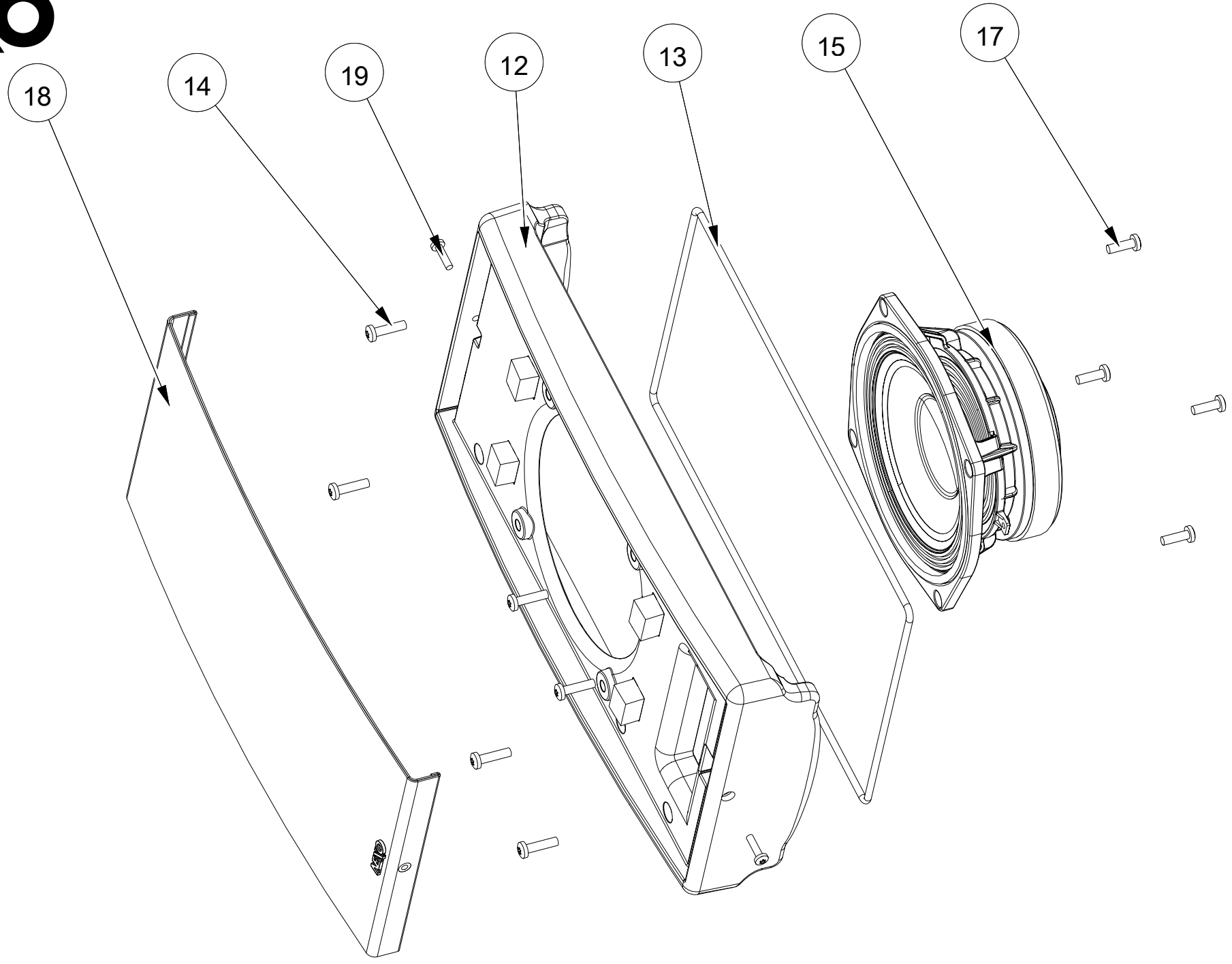


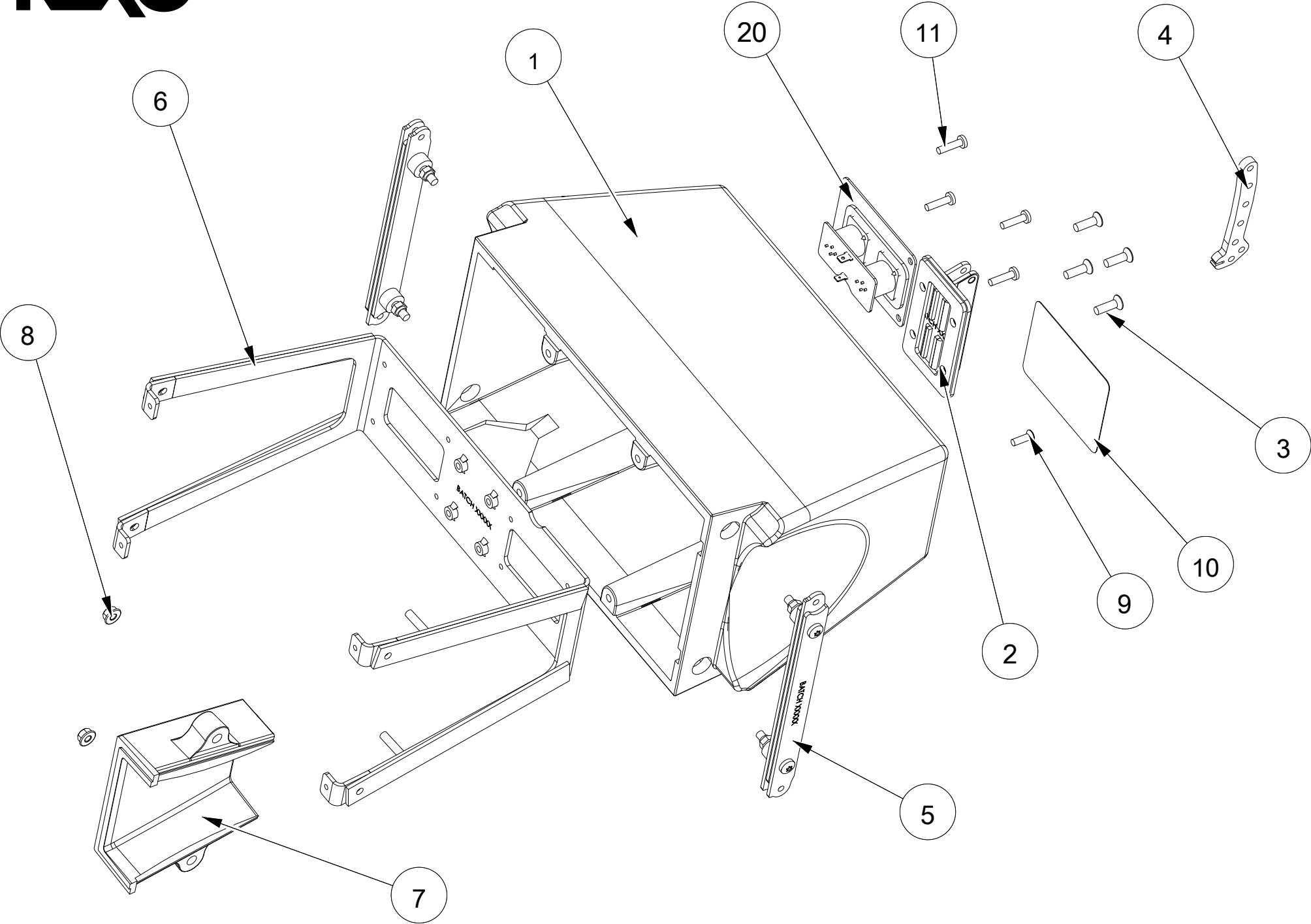
NEXO

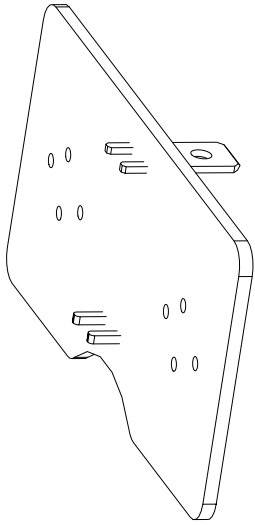
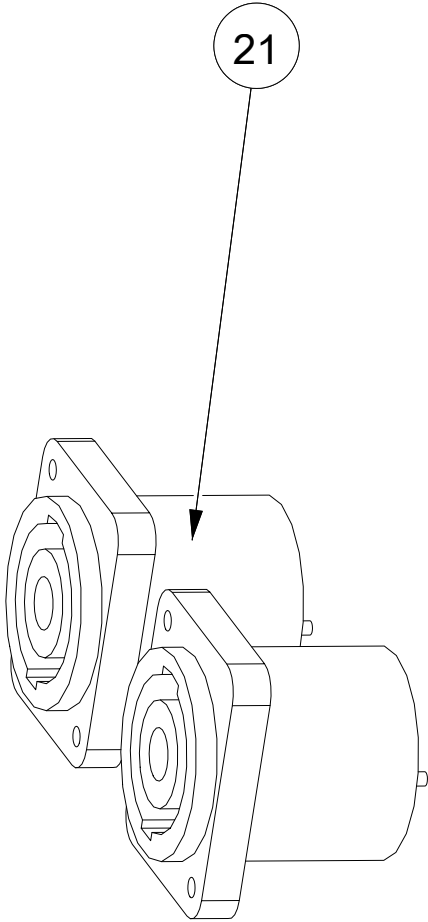
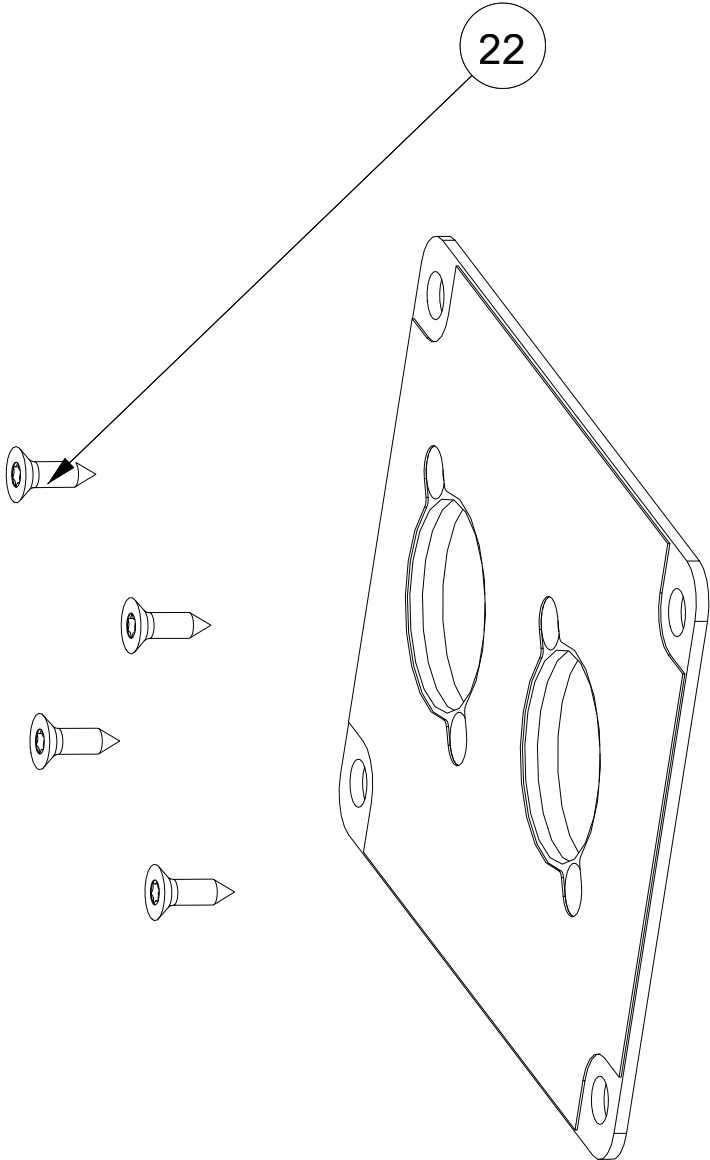


NEXO



NEXO





MARK	QUANTITY	ASSEMBLY	SUB ASSEMBLY	PART REFERENCE	DESIGNATION
GEOM6B					
1	1	05GEOM6-AR		05GEOM6-AR	REAR BOX
2	1			05GEOM6SAR	REAR RIGGING (with seal)
3	4			05VXTCFX620N	BLACK TORX FLAT HEAD SCREW 6X20 (x 10)
4	1			05GEOM6LKB	LINK BAR
5	2			05GEOM6-RG	SIDE RIGGING
6	1			05GEOM6F	SKELETON RIGGING
7	2			05GEOM6-VE	VENT
8	2			05VEM6	HEXAGON FLANGE NUT M6 (x10)
9	1			05VXTCFX516N	BLACK TORX FLAT HEAD SCREW 5X16 (x 10)
10	1			05LEXWARM6	STICKER WARNING
11	4			05VXTCBX520N	BLACK TORX BUTTON HEAD SCREW 5x20 (x 10)
12	1	05GEOM6B-AV		05GEOM6B-AV	FRONT CABINET WITH SCREWS
13	1			05JNEOPCRM6	FRONT CABINET GASKET
14	6			05VXTCBX520N	BLACK TORX BUTTON HEAD SCREW 5x20 (x 10)
15	1		05HPB6-F	05HPB6-F	6.5" Driver 8 Ohms
16	1			05HPB6-FR/K	HPB6-F RECONE KIT
17	4			05VXTCBX516N	BLACK TORX BUTTON HEAD SCREW 5x16 (x 10)
18	1	05GEO -6UA		05GEO -6UA	COMPLETE GRILL GEOM6 WITH SCREWS
19	2			05VXCHB416N	BLACK TORX BUTTON HEAD SCREW 4x16 (x 10)
20	1		05GEOM6B-FPC	05GEOM6B-FPC	GEOM6B CONNECTION PLATE
21	2			05CNXNL4MDV-1	SPEAKON NL4 M D V 1
22	4			05VXTFST2.9-9.5N	BLACK TORX FLAT HEAD SCREW VXTFST 2.9x9.5 (x10)