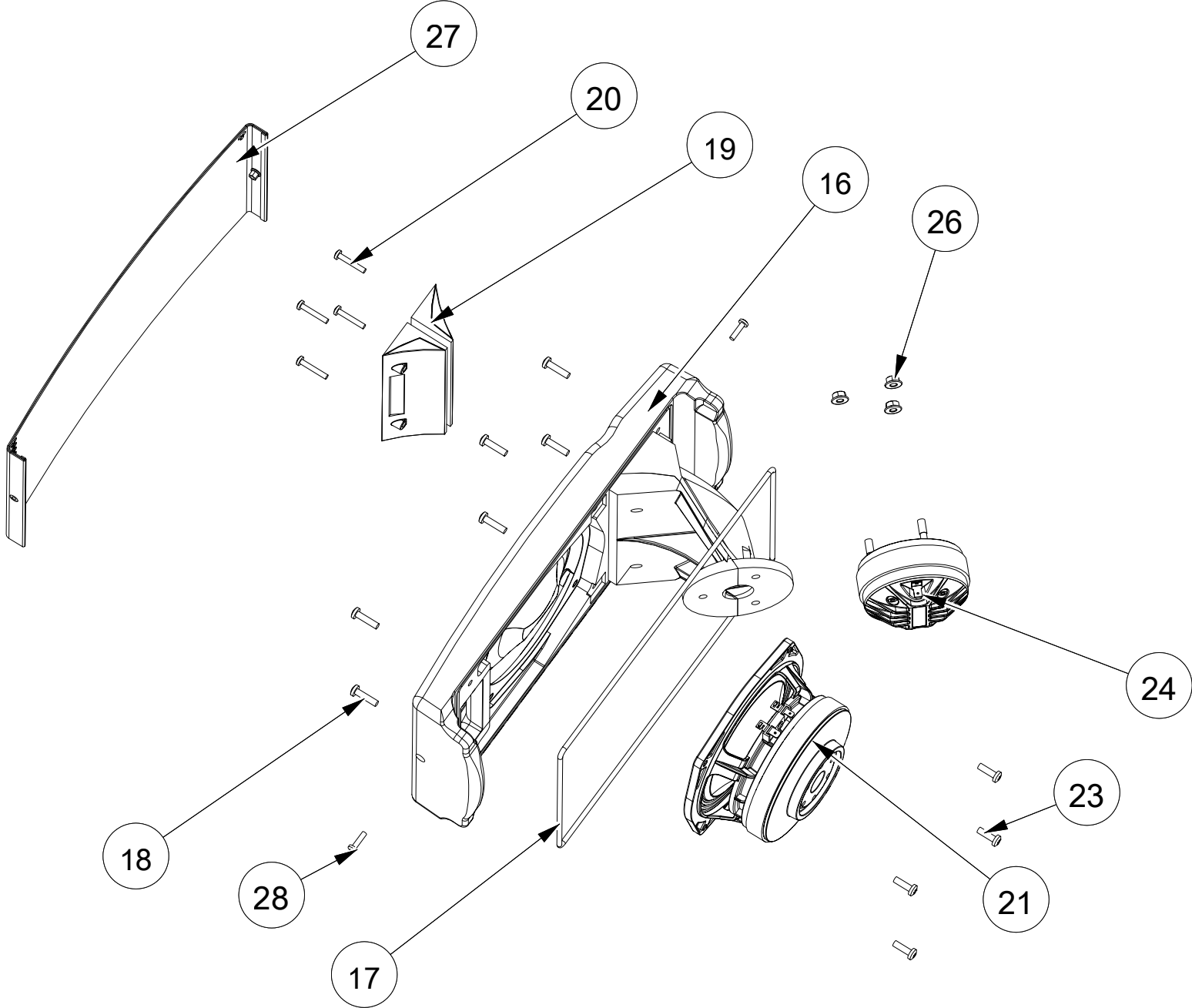


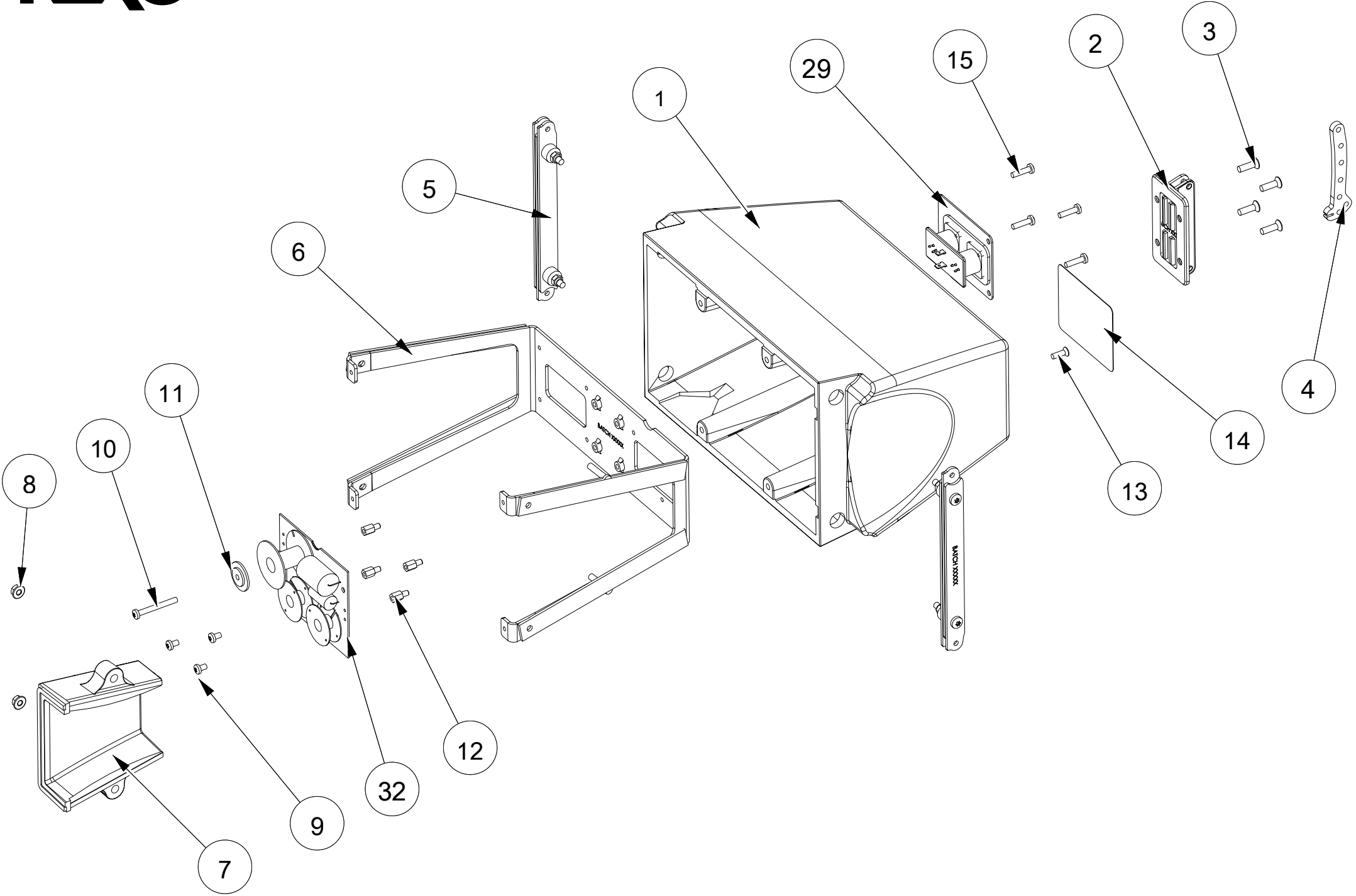
NEXO

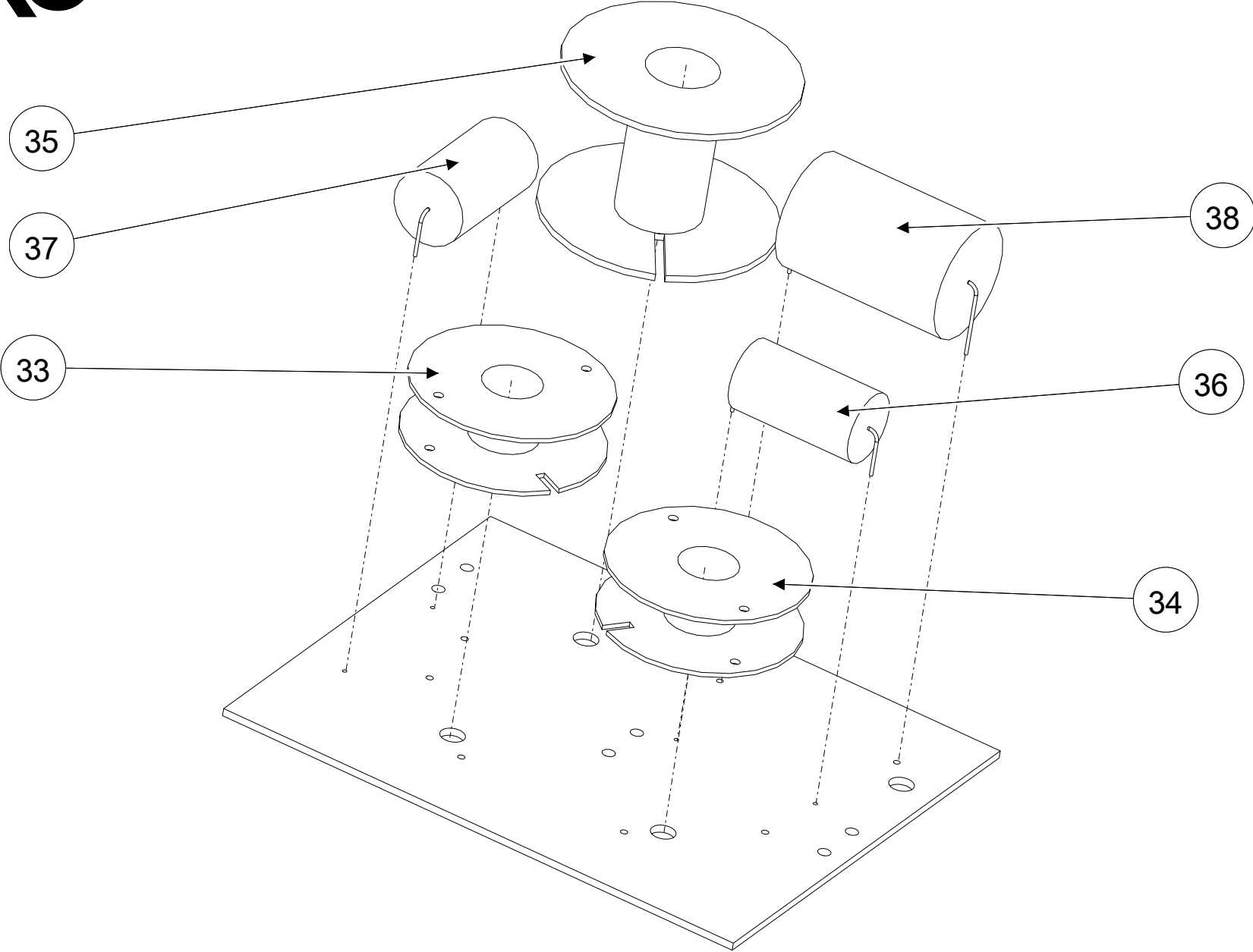
Geo
M6²⁰
SPARE PARTS

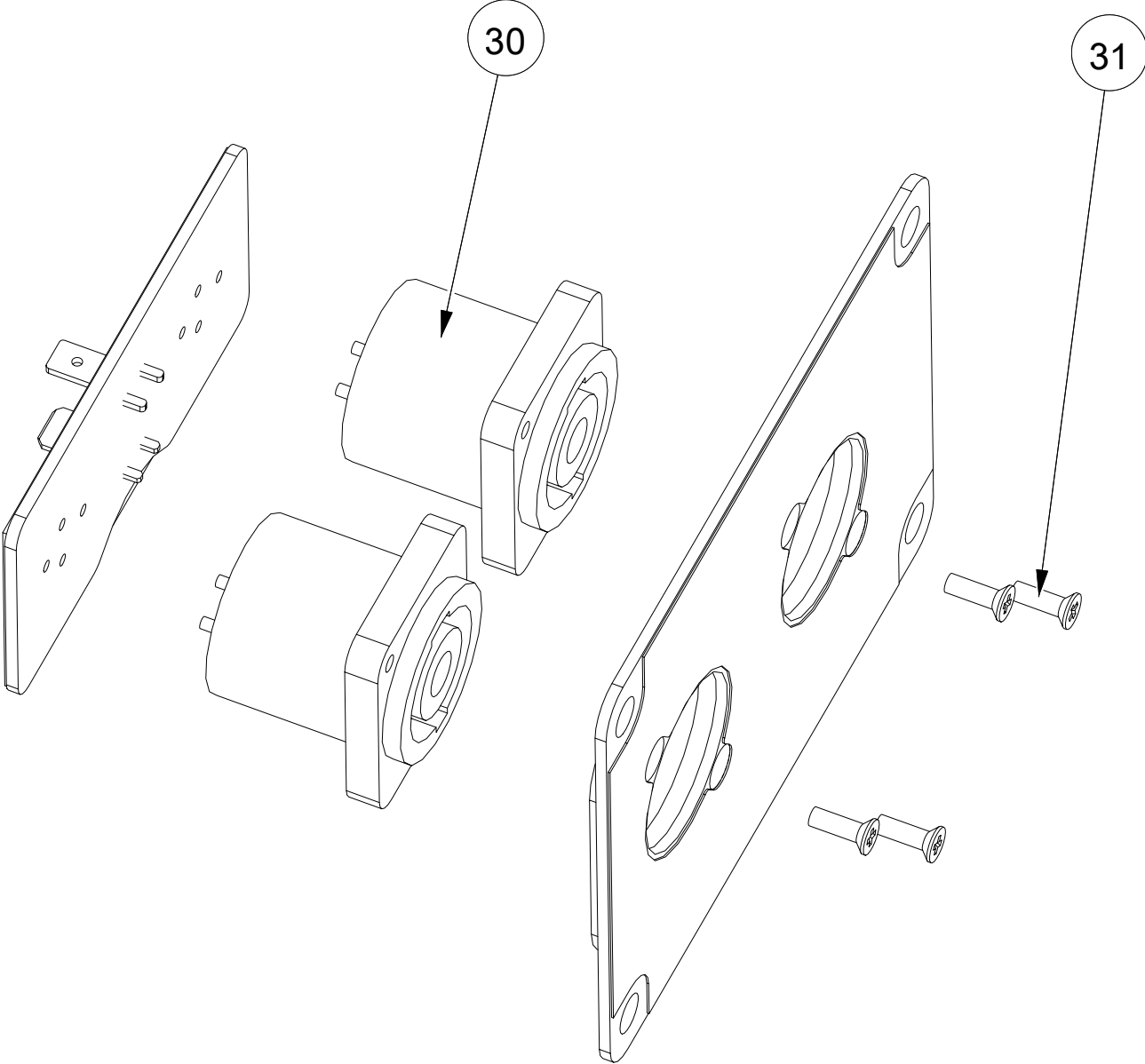
NEXO



NEXO







MARK	QUANTITY	ASSEMBLY	SUB ASSEMBLY	PART REFERENCE	DESIGNATION
GEOM620					
1	1		05GEOM6-AR	05GEOM6-AR	REAR BOX
2	1			05GEOM6SAR	REAR RIGGING
3	4			05VXTCFX620N	BLACK TORX FLAT HEAD SCREW 6X20 (x 10)
4	1			05GEOM6LKB	LINK BAR
5	2			05GEOM6-RG	SIDE RIGGING
6	1			05GEOM6F	SKELETON RIGGING
7	2			05GEOM6-VE	VENT
8	2			05VEM6	HEXAGONAL FLANGE NUT M6 (x10)
9	3			05VXTCBX58N	BLACK TORX FLAT HEAD SCREW 5X8 (x 10)
10	1			05VLTH545	TORX BUTTON HEAD SCREW 5X45 (x 10)
11	1			05VRAMRD21	WASHER
12	4			05ENTRPS15	SPACER
13	1			05VXTCFX516N	BLACK TORX FLAT HEAD SCREW 5X16 (x 10)
14	1			05LEXWARM6	STICKER WARNING
15	4			05VXTCBX520N	BLACK TORX BUTTON HEAD SCREW 5x20 (x 10)
16	1		05GEOM620-AV	05GEOM620-AV	FRONT CABINET WITH SCREWS
17	1			05JNEOPCRM6	FRONT CABINET GASKET
18	6			05VXTCBX520N	BLACK TORX BUTTON HEAD SCREW 5x20 (x 10)
19	2		05PFLANGE-GM6	05PFLANGE-GM6	FLANGE 120° (WITH SCREWS) (x1)
20	4			05VXCHB425N	BLACK TORX BUTTON HEAD SCREW 4X25 (x 10)
21	1		05HPADE14-16	05HPADE14-16	HF driver complete (with screws)
22	1			05NH14-16R/k	HPADE14-16 DIAPHRAGM
23	4			05VXTCBX516N	BLACK TORX BUTTON HEAD SCREW 5x16 (x 10)
24	1		05HPB6-F	05HPB6-F	6.5" Driver 8 Ohms
25	1			05HPB6-FR/K	HPB6-F RECONE KIT
26	3			05VEM6	HEXAGONAL FLANGE NUT M6 (x10)
27	1		05GEO-6UA	05GEO-6UA	COMPLETE GRILL GEOM6 WITH SCREWS
28	2			05VXCHB416N	BLACK TORX BUTTON HEAD SCREW 4x16 (x 10)
29	1		05GEOM620-FPA	05GEOM620-FPA	GEOM620 CONNECTION PLATE
30	2			05CNXNL4MDV-1	SPEAKON NL4 M D V 1
31	4			05VXTFST2.9-9.5N	BLACK TORX FLAT HEAD SCREW VXTFST 2.9x9.5 (x10)

32	2		05GEOM6-FPB	05GEOM620-FPB	GEOM620 PASSIVE FILTER
33	1			05FS0.26MHR21	SELF 0.26mH DCR 0,25 ohm
34	1			05FS0.6MHR21	SELF 0.6mH DCR 0,5 ohm
35	1			05FS1.5MHR21	SELF 1,5mH DCR 0,53 ohm
36	1			05FCNP3.3	CAPACITOR 3,3 μ F / 250V
37	1			05FCNP3.9	CAPACITOR 3,9 μ F / 250V
38	1			05FCNP10	CAPACITOR 10 μ F / 250V