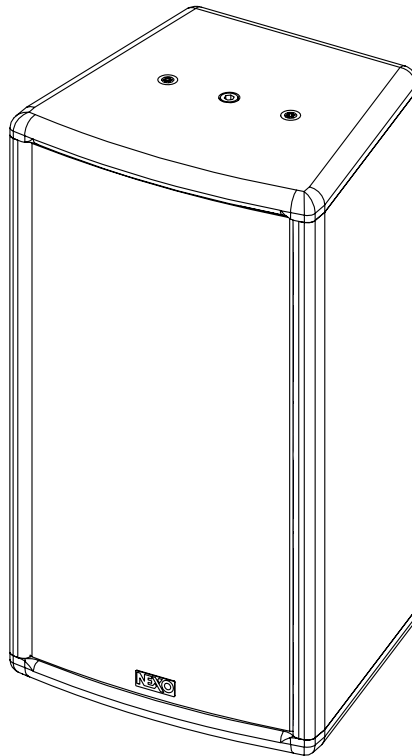


ePS6



User manual



IP55

TABLE OF CONTENTS

TABLE OF CONTENTS _____ 2

WARNINGS _____ 3

EQUIPMENT _____ 4

DESCRIPTION _____ 5

PRESET _____ 6

HF DIRECTIVITY _____ 7

CROSSOVER FREQUENCY _____ 7

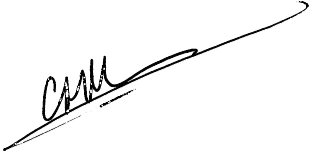
ACCESSORIES _____ 8

ARRAY EQ _____ 13

MAINTENANCE _____ 14

TECHNICAL SPECIFICATIONS _____ 16

USER NOTES _____ 17

EU Conformity declaration	
We,	NEXO SA ZA DU PRE DE LA DAME JEANNE 60128 PLAILLY – France
Declare under our sole responsibility that the product	Loudspeaker
Type	ePS6
Serial number	On the product
Is in conformity with the provisions of the following directive including all applicable amendments:	2014/35/UE (Low Voltage Directive)
Applied rules and standards:	EN 12100, EN 13155, EN 62368
Plailly, October, 2021	Joseph CARCOPINO, R&D Director
	

WARNINGS

PRECAUTIONS

Do not open the speaker, do not try to disassemble it neither to modify it in any way. The system doesn't include any user-repairable part. If the system seems to be malfunctioning or damaged, stop using it at once and have it repaired by a NEXO qualified technician.

Do not expose the system directly to the sun or to the rain, do not immerse it into fluids, do not place objects filled with liquid on the system. If a liquid gets into the system, please have it inspected by a NEXO qualified technician.

When flying outdoor systems ensure that the system is not exposed to excessive wind or snow loads and is protected from rainfall.

In case of wind greater than 8 on Beaufort scale (72km/h – 45mph), a touring system has to be landed or an additional securing has to be implanted.

For fixed installations, wind loading has to be taken into account in accordance to the national standards

The connection should be performed by qualified technician, by ensuring that power is off.

Operating temperature with temperate climate: 0°C to +40°C (+32°F to +104°); -20°C à +60°C (-4°F to +140°F) for storage.

SAFETY INFORMATIONS

Read this manual before using the speaker.

Keep this manual available for further reference.

Observe all warnings and cautions.

Please check the NEXO Web site nexo-sa.com to get the most up-to-date version of this manual.

Ensure you are aware of the safety rules applying to rigging, stacking or installing on tripod or speaker stand. Failure to observe these rules may expose persons to potential wounds or even death.

Only use the system with accessories specified by NEXO.

Please always consult a NEXO-accredited technician if the installation needs architectural works and observe following precautions:

Mounting Precautions:

- Please select screws and mounting location supporting 4 times the system weight.
- Do not expose the system to excessive dust, vibrations, to extreme cold or hot temperatures, to reduce the risk of damaging components.
- Do not place the system in an unstable position: it could fall accidentally.
- If the system is used on a tripod, please ensure the tripod's specifications are adapted and that its height does not exceed 1.40m/55". Do not move the tripod with the system in position.

Connection and Powering Precautions:

- Unplug connected cables before moving the system.
- Power off the system before connecting the system.
- When switching on the installation, the amplifier must be powered last; when switching the installation off, shut off the amplifier first.
- If you work by cold temperatures, progressively raise the level to nominal value during the first minutes of use, to allow the system components to stabilize.

Please check regularly the system condition.

HIGH SOUND PRESSURE LEVELS

Exposure to very high sound pressure levels may cause permanent hearing losses. Degrees of hearing losses may be different from one person to another, but almost everybody will be affected if exposed to high sound pressure levels during a long period of time. The OSHA (Occupational Safety and Health Administration) American Agency specified the following maximal exposures:

Number of Hours	Sound Pressure Level (dBA), Slow Response
8	90
6	92
4	95
3	97
2	100
1 ½	102
1	105
½	110
¼ or less	115

WASTE OF ELECTRIC OR ELECTRONIC EQUIPMENT



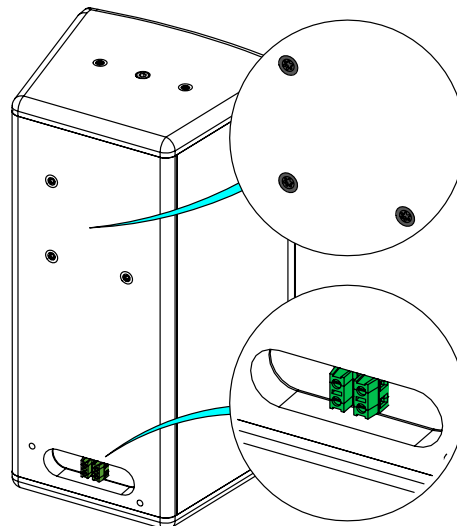
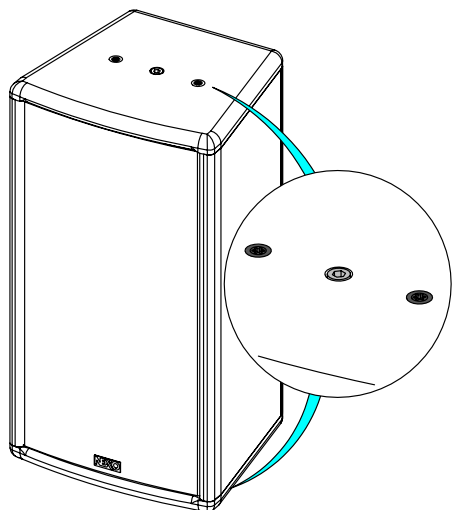
This symbol on the product or its packaging indicates that this product must not be treated as household waste. Instead, it is your responsibility to hand it over to a designated collection point for the recycling of waste electrical and electronic equipment. By ensuring your waste equipment is recycled, you will help prevent potential negative consequences for the environment and human health, which could appear if this product was not recycled. Recycling helps spare natural resources. For more information about the recycling of this product, please contact your local city office, your household waste disposal service or your reseller.

EQUIPMENT

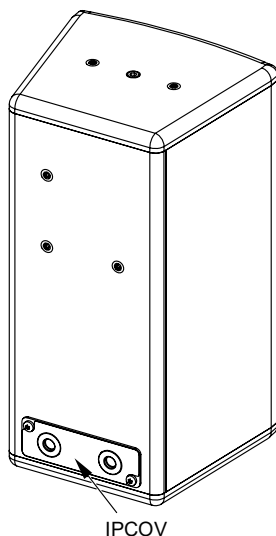
On each side of the cabinet, two M6 with 80 mm pitch plus one M10 fittings will connect the ePS6 to accessories (VNI-VCPL365, VNU-BUMP, VNU-HBRK365, or eye-bolts).

The back of the speaker is fitted with 3x M6 (70mm pitch) to connect wallmount in both vertical and horizontal positions (VNI-WB02, VNI-WM01, VNI-WM02).

2 pairs (In/Out) of 7.62 mm pitch screw terminal blocks. Cables from 0.75 mm² to 3.31 mm² (12 to 15 AWG) copper section.

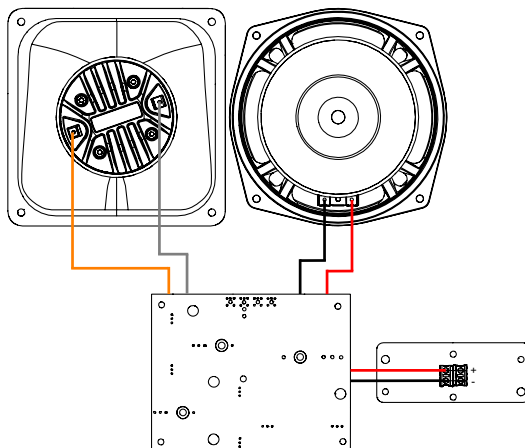


ePS6 with IPCov

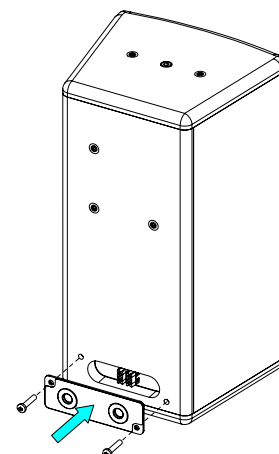
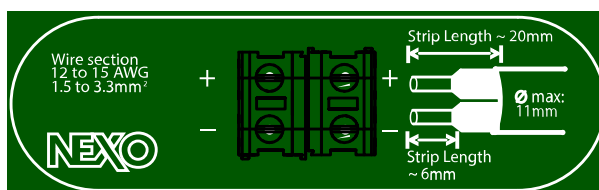
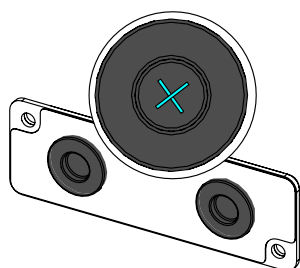


DESCRIPTION

- The ePS6 is a compact full-range 2 ways speaker.
- Asymmetrical HF dispersion “PS” type.
- ePS6 can be used alone or with eLS400 subwoofers
- The speaker is equipped with 2 pairs (In/Out) of screw terminal blocks, permissible cables from 0.75 mm² to 3.31 mm² (12 to 15 AWG) copper section. Cable with maximum outside diameter of 11mm.



- To wire ePS6, slit the membrane of the grommet crosswise, pass the cable through and make the connection to the screw terminals. Place the IPCOV.



- IP55: be careful to place the IPCOV correctly.
- Amplification
 - The ePS6 speakers must be used with a NEXO processor to handle EQ, phase alignment, crossover and excursion/thermal protection for the system loudspeaker.
 - The following table shows the number of ePS6 speakers and eLS400 subwoofers usable with each solution.

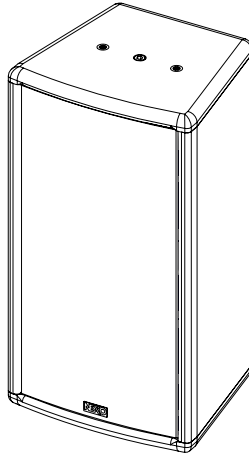
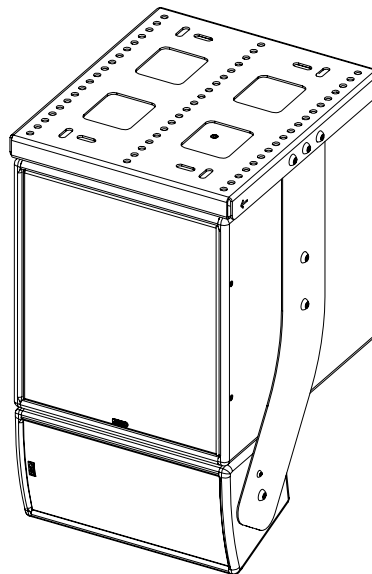
	DTD + DTDAMP4X0.7	DTD + DTDAMP4X1.3	NXAMP4X1mk2	NXAMP4X2mk2	NXAMP4X4mk2
ePS6	Up to 2 per channel	Up to 2 per channel	Up to 4 per channel *	Up to 4 per channel	Up to 4 per channel
eLS400	1 per channel	1 per channel	Up to 2 per channel *	Up to 3 per channel	Up to 3 per channel

* Recommended powering solution

Please consult nexo-sa.com for NEXO TD Controllers firmware information.

For the ePS6, the following setups are available:

- ePS6 MAIN, 90-20kHz.
- ePS6 MAIN, 120-20kHz.
- ePS6 MAIN, 150-20kHz.

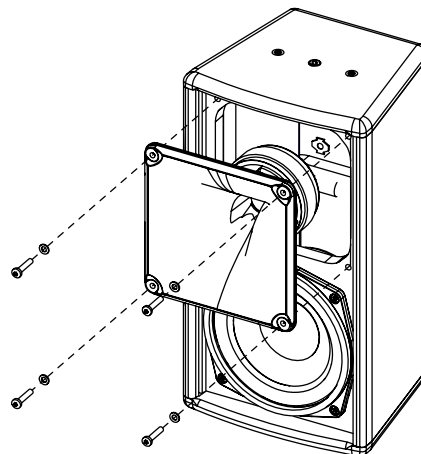
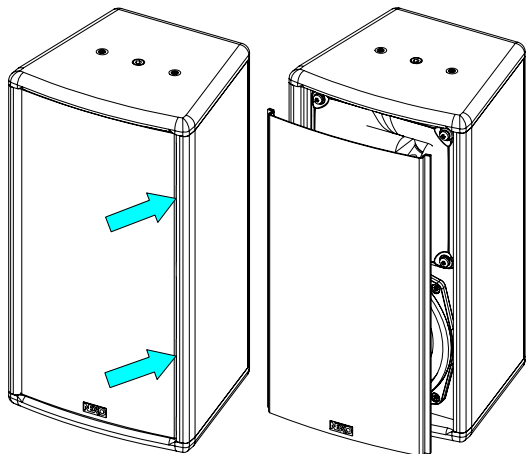
ePS6**ePS6 + eLS400**

HF DIRECTIVITY

- The ePS6 speaker can be used in horizontal or vertical position.
- It's easy to change the HF dispersion to deal with every request.

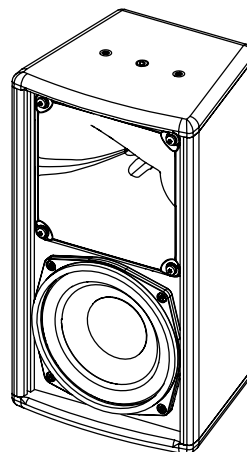
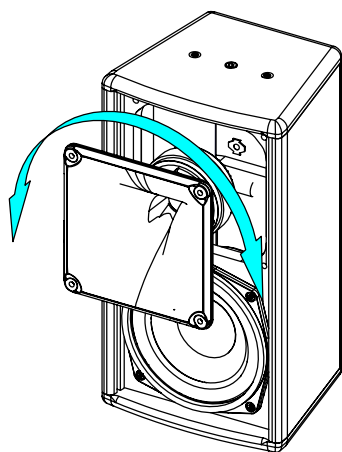
Place a flathead screwdriver in the space between the grille and the cabinet to release the grille. Remove the 4 screws that hold the horn. Remove it.

Remove the grille.



A sticker on the side of the horn indicates the side with the widest dispersion.

Position the horn according to the desired HF dispersion.



Reassemble the assembly and replace the grille.

CROSSOVER FREQUENCY

- 90 Hz: Full range application.
- 120, 150 Hz: use with eLS400.

WARNINGS

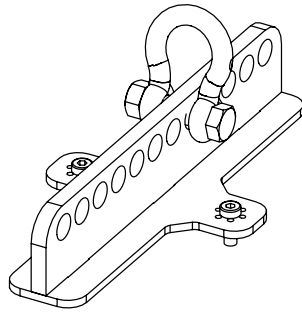
All ePS accessories are specifically rated in agreement with structural computations.

Never use other accessories when assembling ePS6 cabinets than the ones provided by NEXO: NEXO will decline responsibility if any component is purchased from different supplier.

PROHIBITED: ePS6 below ePS6 or ePS6 below eLS400 without dedicated accessory

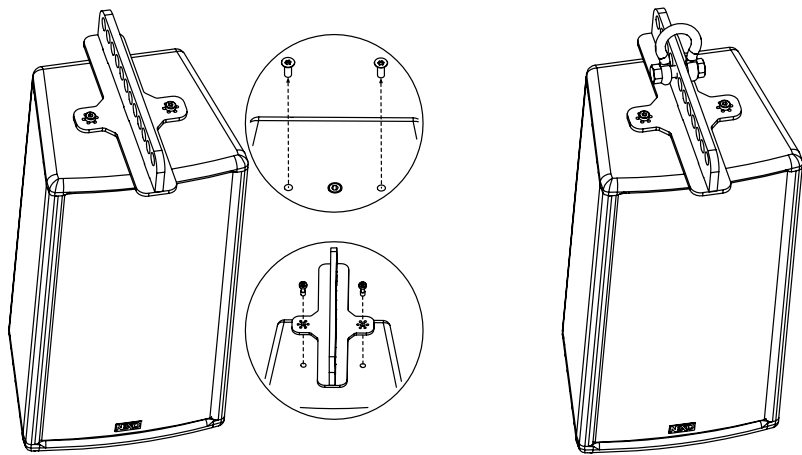
VNU-BUMP

LiftBar, can be used with VNI-WMADAPT.



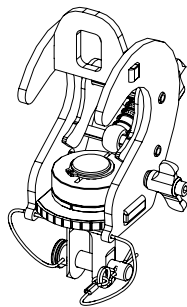
Remove 2 screws on the top
Screw VNU-BUMP to ePS6 (use only screws provided with VNU-BUMP).
Tight properly.

Refer to the Product Data Sheet



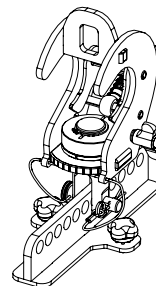
VNT-TCBRK3551

Rotary Truss Clamp



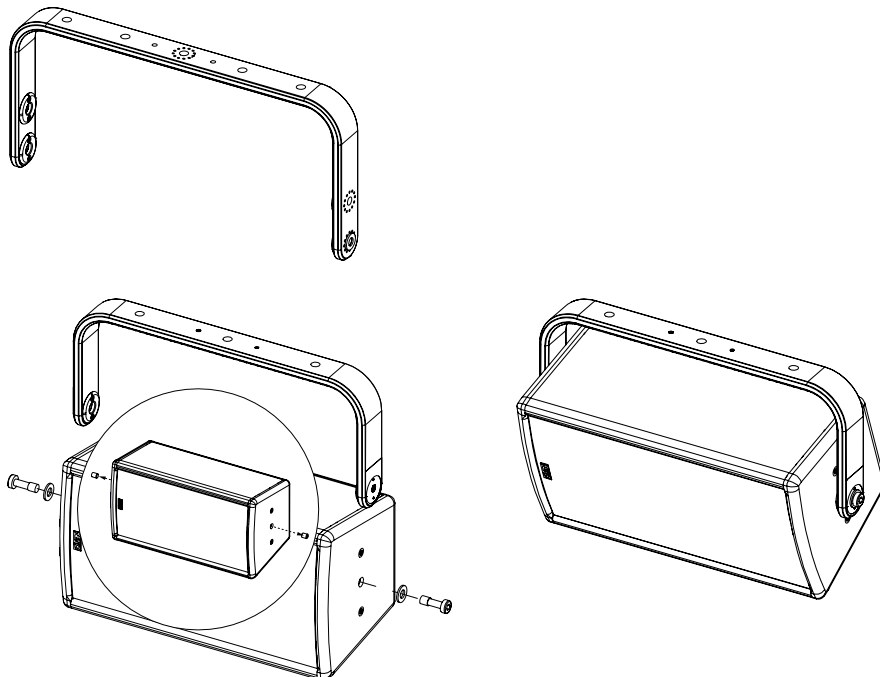
Place VNT-TCBRK3551 on VNU-BUMP at the desired hole.

Refer to the Product Data Sheet.



VNU-HBRK365

Horizontal Cradle, usable with:
 VNI-CLADAPT.
 VNI-WM200.
 VNU-PLADAPT.

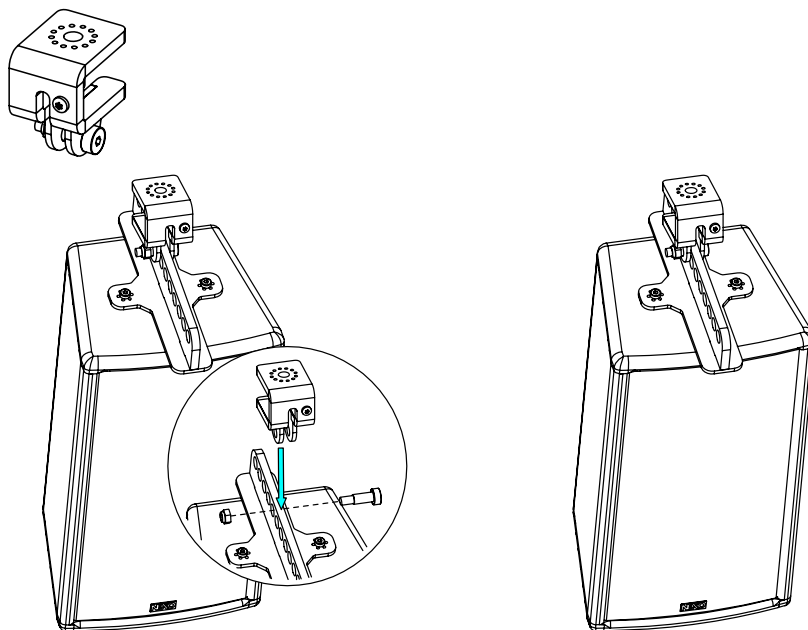


Remove the M10 inserts from each side.
 Place HBRK365 on ePS6, use only fasteners provided.
 Tight properly.

Refer to the Product Data Sheet

VNI-WMADAPT

Wall mount adapter

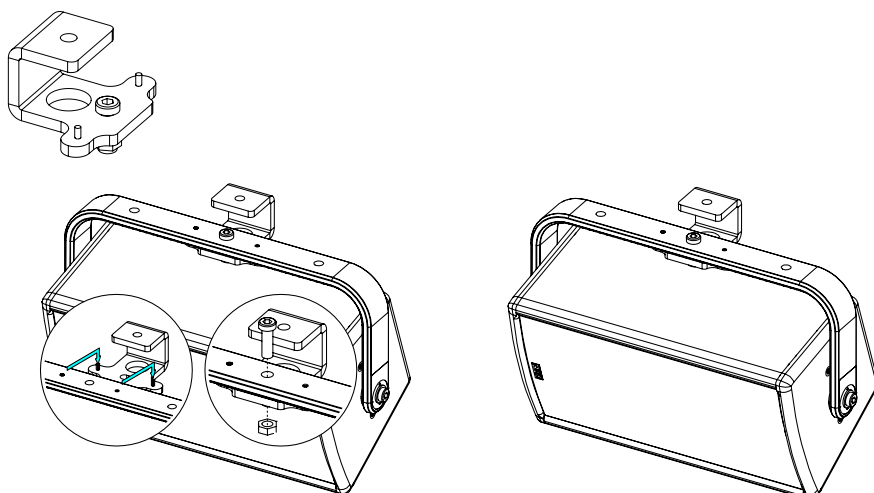


Place VNI-WMADAPT on VNU-BUMP, use only fasteners provided.
 Tight properly.

Refer to the Product Data Sheet

VNI-CLADAPT

Ceiling Adapter, use with VNI-HBRK365.



Screw VNI-CLADAPT to the ceiling (fasteners not provided).
 Place the assembly on VNI-CLADAPT, use the 2 guides. Tight with the fasteners provided with VNI-CLADAPT.

Refer to the Product Data Sheet

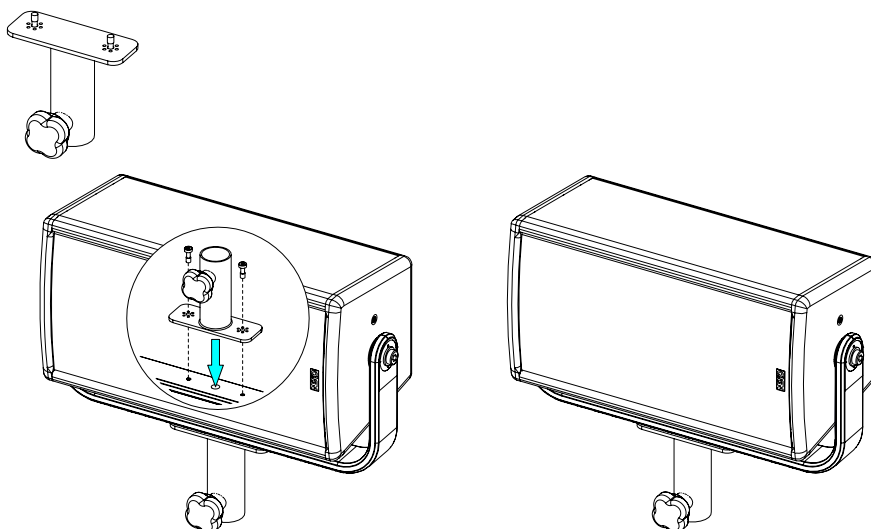
ACCESSORIES

VNU-PLADAPT

Pole adapter

Place VNU-PLADAPT on VNI-HBRK365, use only fasteners provided. Tight properly.

Refer to the Product Data Sheet

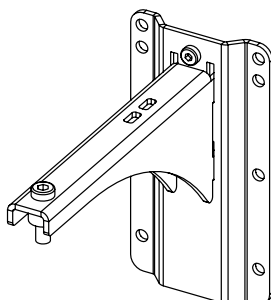


VNI-WM200

Wallmount, usable with:

VNI-WMADAPT / VNU-BUMP

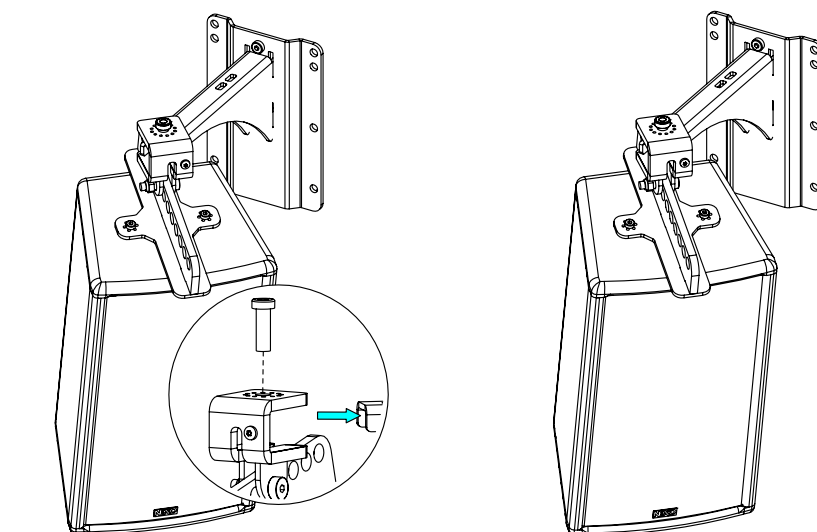
VNU-HBRK365



ePS6 / BUMP / WMADAPT

Place the assembly on VNI-WM200. Tight with the fasteners provided with VNI-WM200.

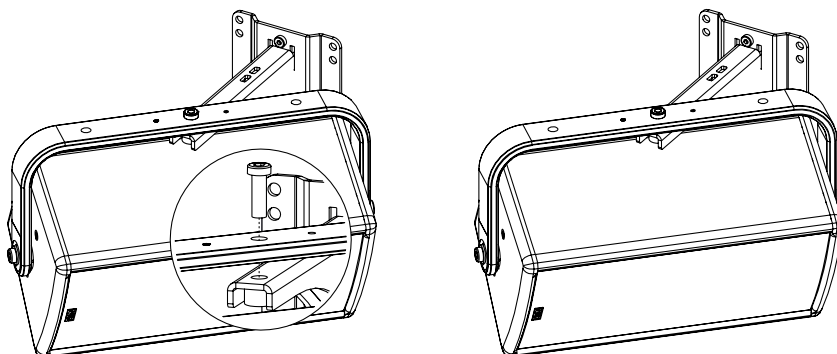
Refer to the Product Data Sheet



ePS6 / HBRK365

Place the assembly on VNI-WM200. Tight with the fasteners provided with VNI-WM200.

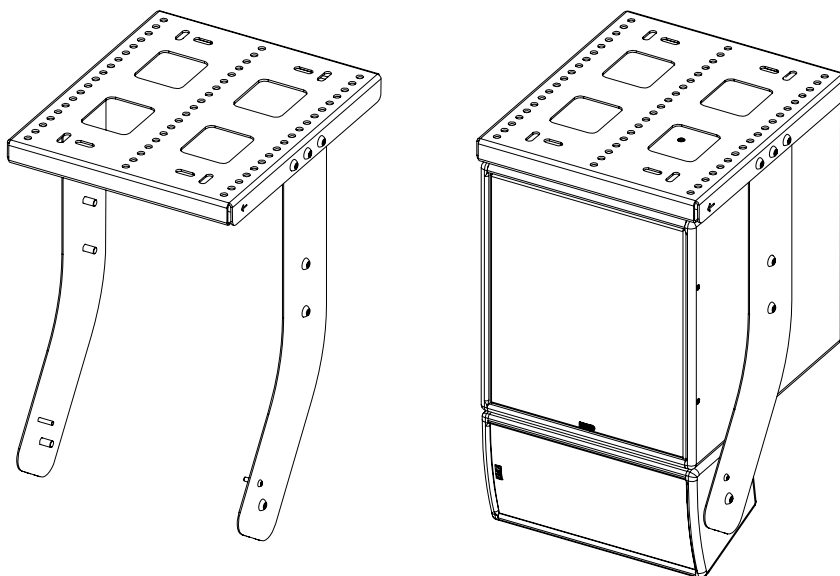
Refer to the Product Data Sheet



VNI-VCPL365

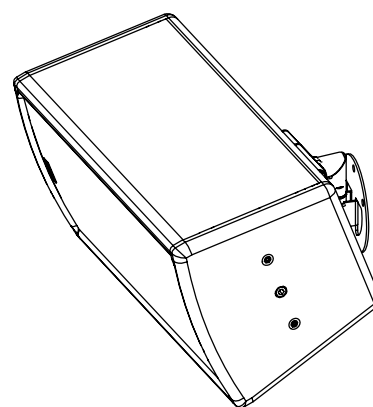
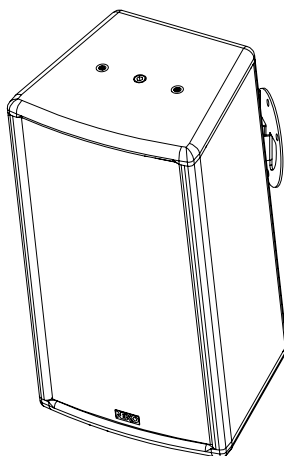
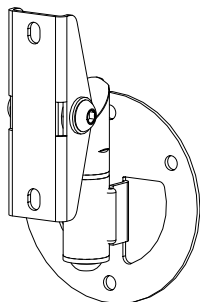
Coupler ePS6 under vertical eLS400

Refer to the Product Data Sheet



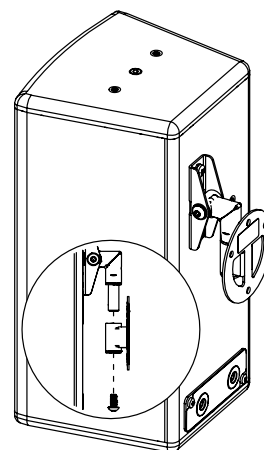
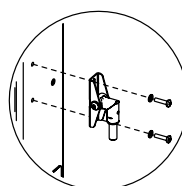
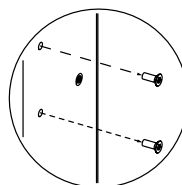
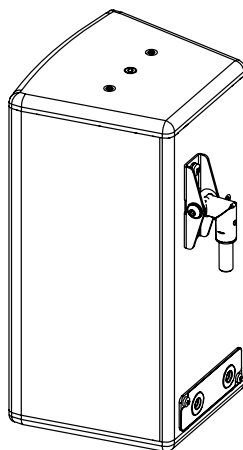
VNI-WB02

Light wall mount adapter 15kg max



Remove 2 of the 3 screws on the back.
Screw speaker plate to ePS6 (use only screws provided with ePS6).
Place the speaker holder with ePS6 into wall bracket. Fix by tightening bolted assembly.

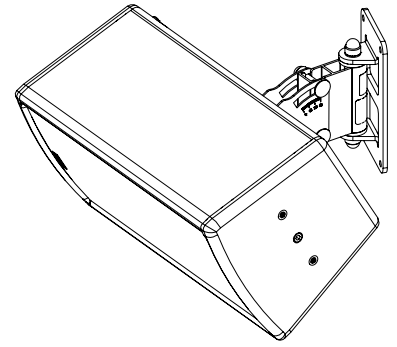
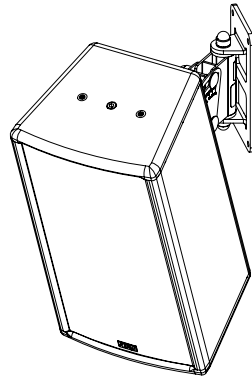
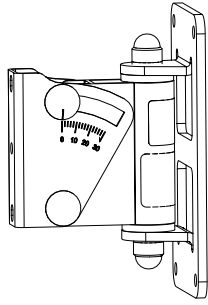
Refer to the Product Data Sheet



ACCESSORIES

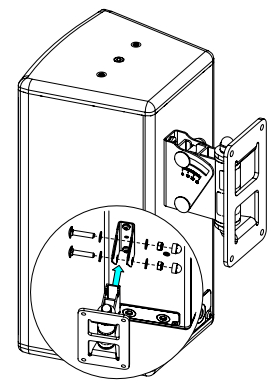
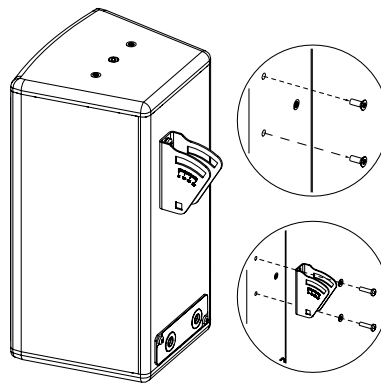
VNI-WM01

Wall mount adapter 15kg max



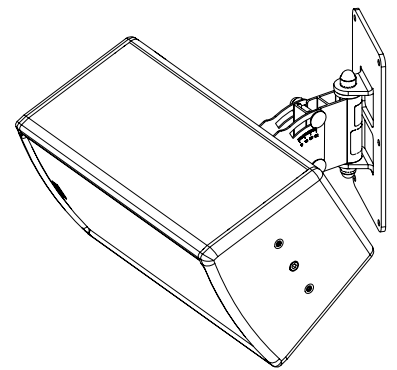
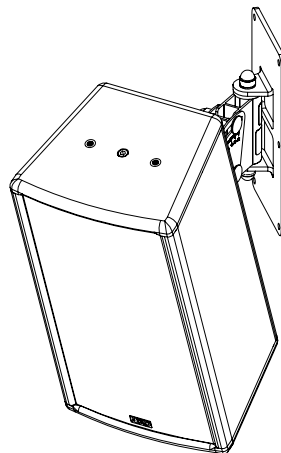
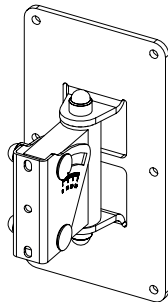
Remove 2 of the 3 screws on the back.
Screw speaker plate to ePS6 (use only screws provided with ePS6).
Place the speaker holder with ePS6 into wall bracket. Fix by tightening bolted assembly.

Refer to the Product Data Sheet



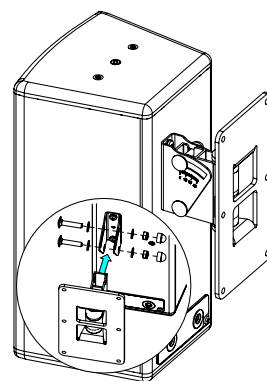
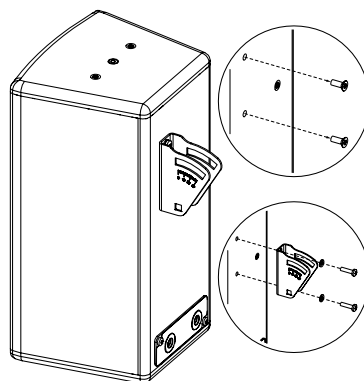
VNI-WM02

Wall mount adapter 25kg max



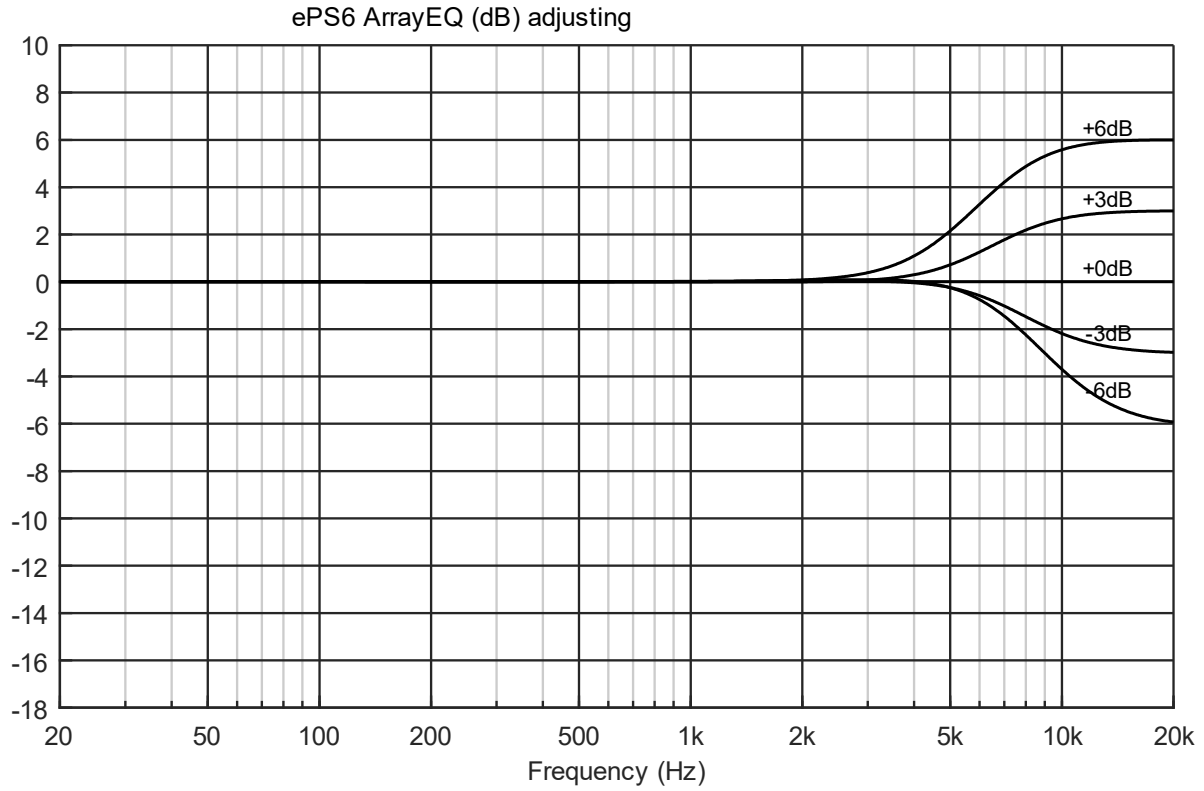
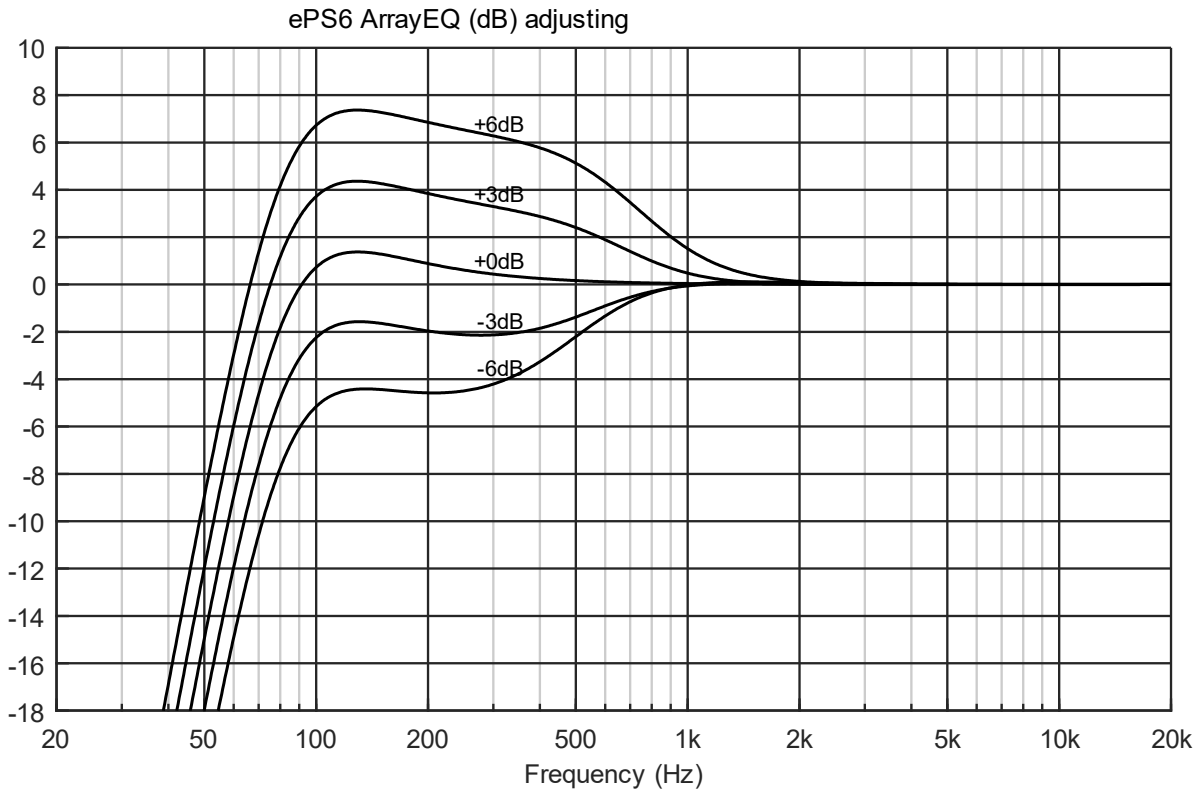
Remove 2 of the 3 screws on the back.
Screw speaker plate to ePS6 (use only screws provided with ePS6).
Place the speaker holder with ePS6 into wall bracket. Fix by tightening bolted assembly.

Refer to the Product Data Sheet



ARRAY EQ

The ArrayEQ allows to adjust the system frequency response in its lower range
(see curves below, with different ArrayEq values):

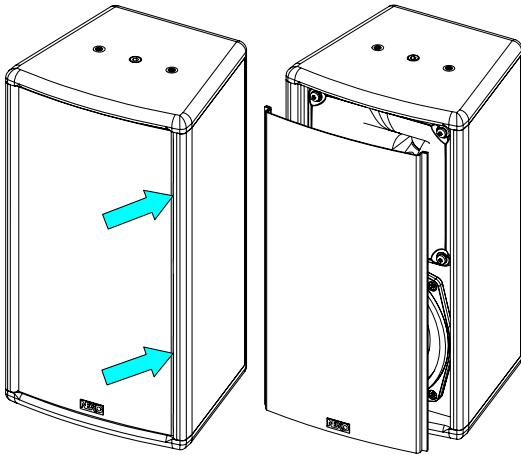


NOTE:
Speakers and Grills can be sent back to NEXO for recycling

Driver access

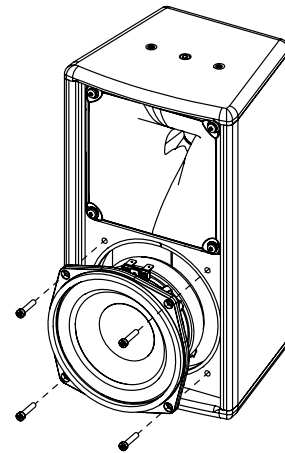
Place a flathead screwdriver in the space between the grille and the cabinet to release the grille.

Remove the grille.



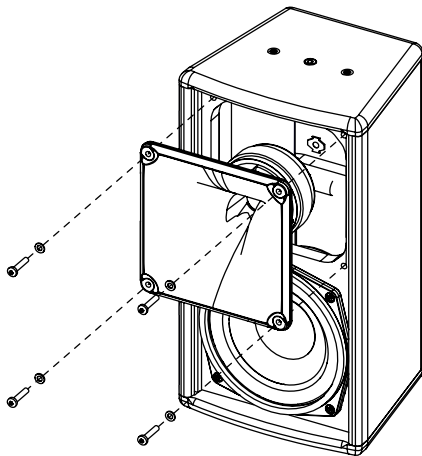
Remove the 4 screws to access the LF driver.

Tightening torque: 3.5 Nm (Thread Locker: Loctite 242)



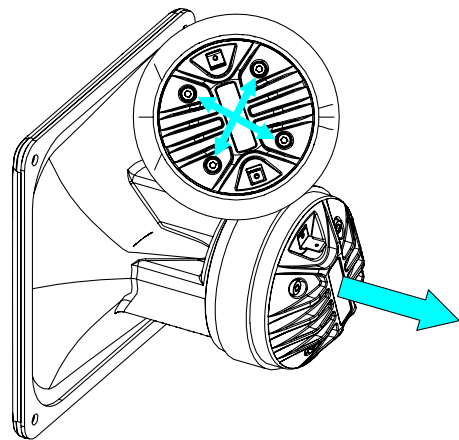
Remove the 4 screws that hold the horn. Remove it.

Tightening torque: 2.5 Nm (Thread Locker: Loctite 242)



To access the HF diaphragm, remove the 4 screws.

Tightening torque: 1.7 Nm

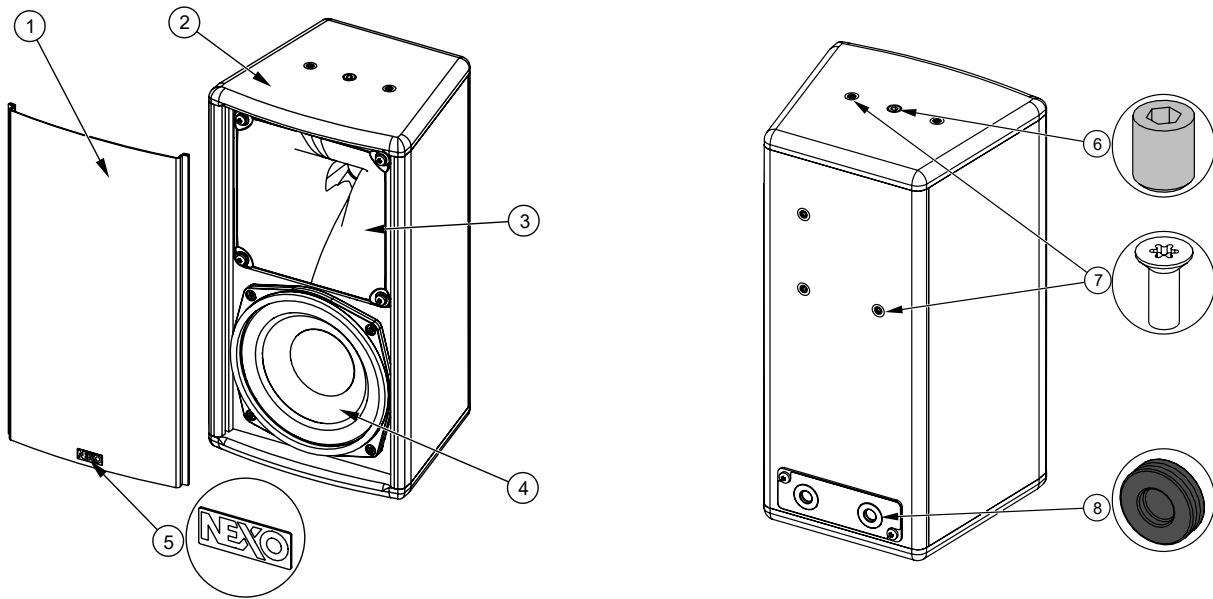


Reassemble the assembly and replace the grille.

LF: red (+) / black (-)

HF: orange (+) / grey (-)

Spare parts



MARK	QUANTITY	REFERENCE	DESIGNATION
1	1	05EPS6-UA	Complete grille Black
2	1	05EBEPS6	Cabinet Black
3	1	05NH14-16R/K	HF diaphragm
4	1	05HPB6-44	HP 6" complete
	1	05HPB6-44R/K	Recone Kit 6"
5	1	05LOGNEXO3	Logo NEXO
6	2	05VXTSTHC1012	HEADLESS Screw M10x12 Black (x10)
7	7	05VXTCFX616N	VXFX 6x16 Black (x10)
8	2	05PASF-DG9E1	Grommet DG11

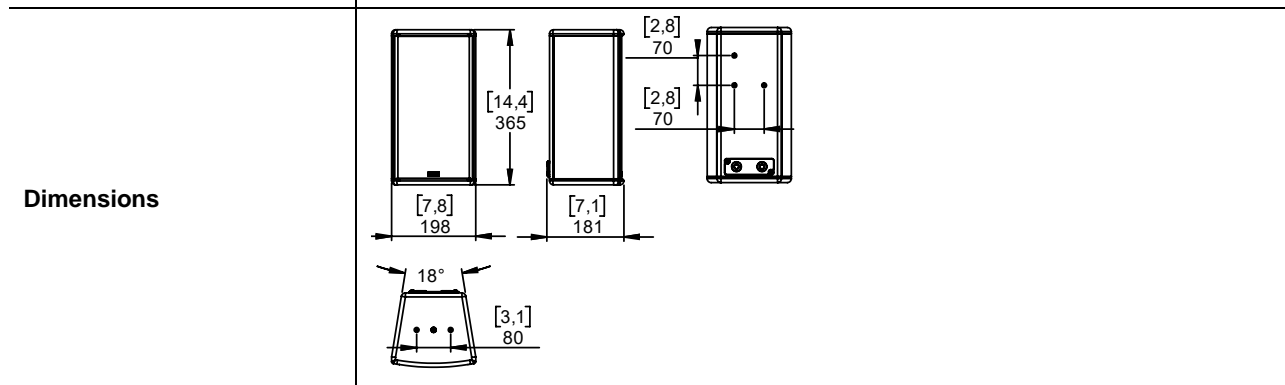
TECHNICAL SPECIFICATIONS

WITH NEXO ELECTRONICS

Model	ePS6
Frequency range (±6dB)	90 Hz – 20 kHz
Peak SPL Level (1m)	125dB Peak
Operating voltage	25Vrms
Vertical Dispersion	+25°/-30°
Horizontal Dispersion:	50° to 100° asymmetrical
Crossover Frequency	90, 120, 150 Hz
Nominal Impedance	8 ohms

SPECIFICATIONS

Model	ePS6
Components	LF 6" long excursion 8 ohms HF 1.4" diaphragm – 8 Ohms
Material	Baltic birch plywood 15mm
Finish	Black structural paint (RAL9005 or Custom RAL upon request)
Front finish	Black acoustic fabric fitted front steel front grille
Fittings	2x M6 and 1x M10 on the top and bottom for rigging accessories. 3x M6 on the back for rigging accessories (70mm pitch).
Connector	2 pairs (In/Out) of 7.62 mm pitch screw terminal blocks. Cables from 0.75 mm ² to 3.31 mm ² (12 to 15AWG) copper section. Cable with maximum outside diameter of 11 mm.
Weight	7.1 kg / 15.7 lb
IP Classification	IP55 with IPCOV



USER NOTES

NEXO S.A.

Parc d'activité de la Dame Jeanne
F-60128 PLAILLY

Tel: +33 3 44 99 00 70

Fax: +33 3 44 99 00 30

E-mail: info@nexo.fr

nexo-sa.com

NEXO