

NEXO

INNOVATE

The logo consists of a large, stylized red Greek letter alpha (α) followed by a smaller red capital letter M. Both characters have a thick black outline.

SPARE PARTS

NEXO-SA
AFTER SALE DEPARTMENT
PARC DU PRE DE LA DAME JEANNE
60128 PLAILLY

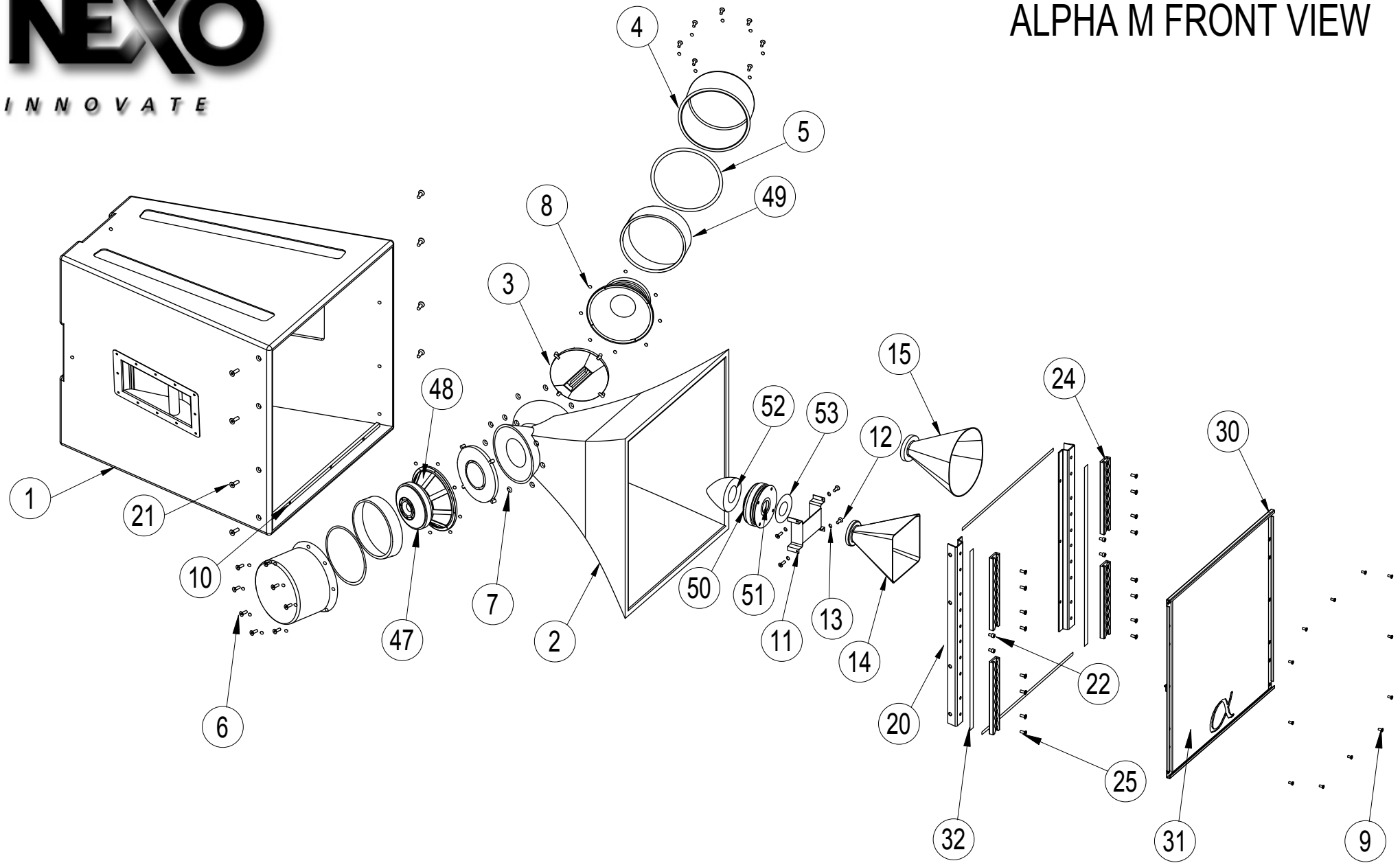
FRANCE

Email : gilbert.laporte@nexo.fr

NEXO

INNOVATE

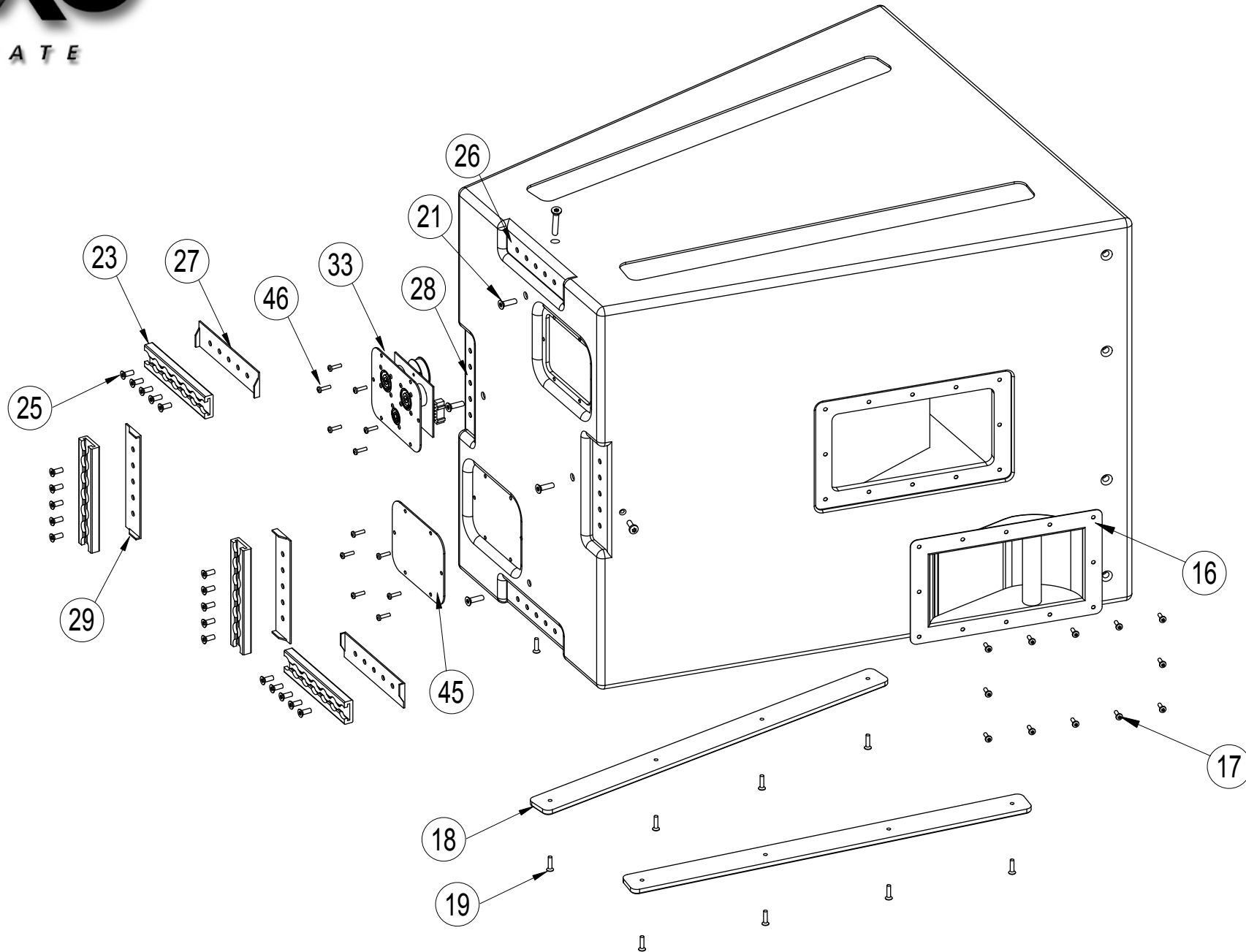
ALPHA M FRONT VIEW

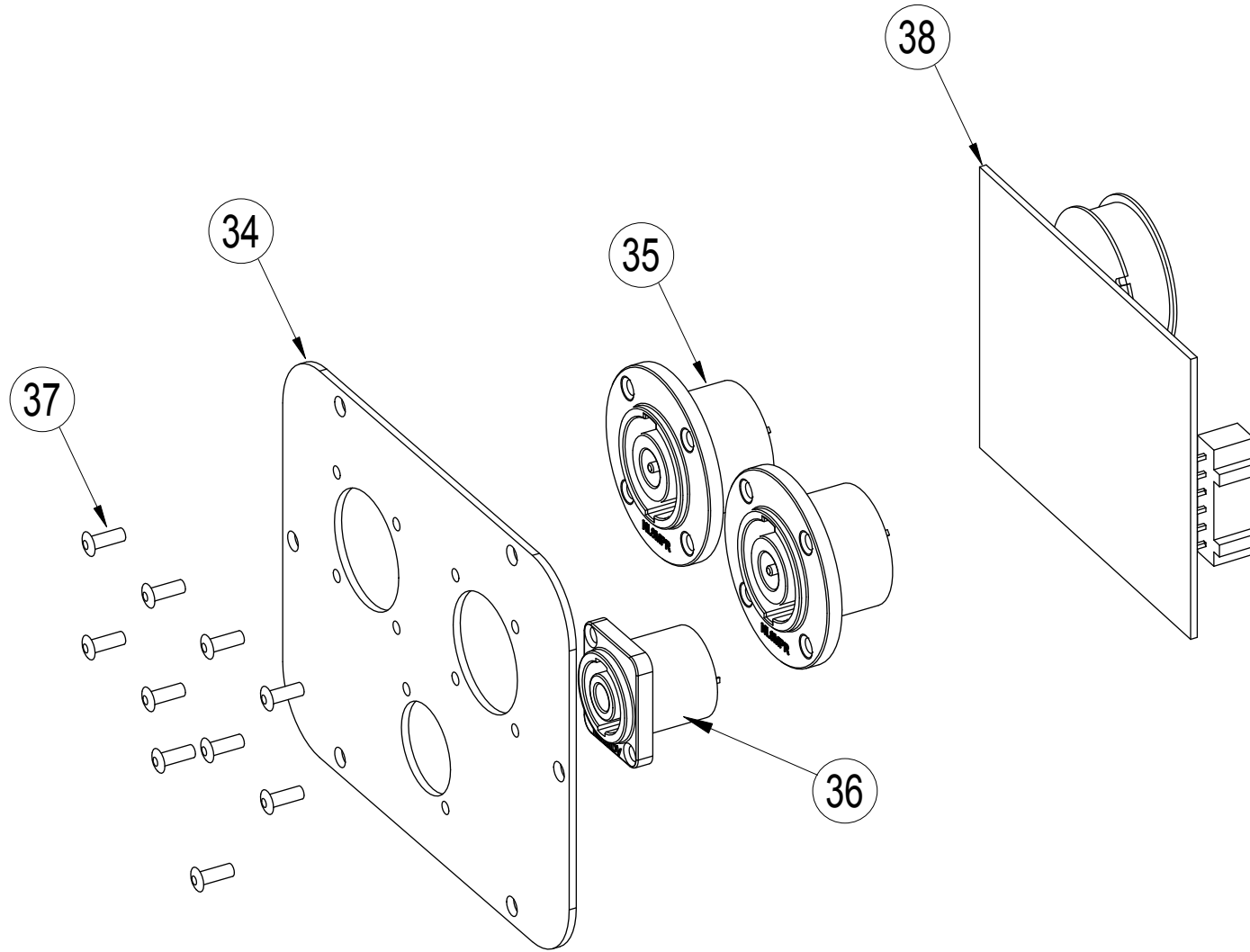


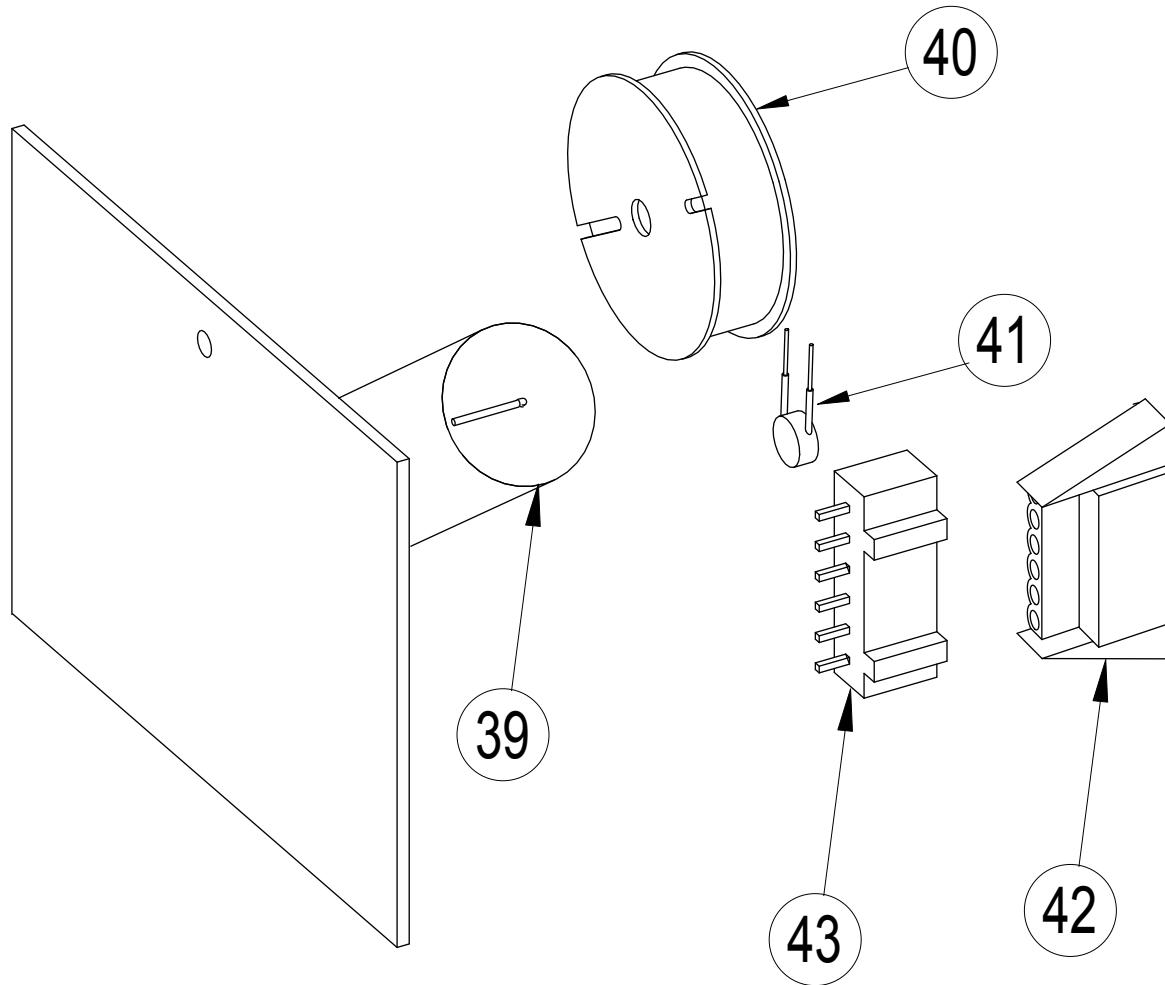
NEXO

INNOVATE

ALPHA M REAR VIEW







MARK	QUANTITY	ASSEMBLY	SUB ASSEMBLY	PART REFERENCE	DESIGNATION
AL.M					
1	1	05EBM4MOQ		05EBM4MOQ	ALPHA M EMPTY BOX CARPETED
1	1	05EBM4PEINT-S		05EBM4PEINT-S	ALPHA M EMPTY BOX PAINTED
2	1			05PAVBMALPH1.1	M3 / M8 MID HORN
3	2			05PMPBMALPH1.1	ALPHA M MID PMP
4	2			05POTBMALPH	ALPHA M REAR CAP
5	2			05JNEOHPBPS10	BASS DRIVER GASKET
6	16			05VXCHC535N	BLACK TORX CYLINDRIC SCREW 5X35
7	16			05VNYLST5	NUTS WITH POLYAMID INSERT DIN 985 CL/8 Zg M5 DIA.5
8	32			05VRA510ZN	BLACK WASHER 5X10 STAINLESS STEEL
9	12			05VXFHC535N	BLACK SCREW TORX FLAT HEAD 5X35 STAINLESS STEEL
10	6			05VGRAF5	GRAF NUT 5mm
11	1			05PHFM4-1A	M3 / M8 SUPPORT PLATE HF DRIVER
12	4			05VXTCX525N	BLACK TORX CYLINDRIC SCREW 5X25
13	4			05VRX516N	BLACK WASHER 5X16
14	1			PAVHMALP3	HIGH HORN FOR M3
15	1			PAVHMALP8	HIGH HORN FOR M8
16	2			05AMBARGM	METAL BAR HANDLE
17	24			05VXTCC4.514N	BLACK TORX VBA TCC SCREW 4.5X14
18	2			05PATIN	ALPHA M4/B1/S2 NYLON SKID
18	2			05PATINPEINT	ALPHA PAINTED SKID
19	8			05VXTCFX520N	BLACK TORX FLAT HEAD SCREW 5X20
20	2			05KELP796M	M3 / M8 RIGGING CORNER
21	16			05VXTCFX825N	BLACK TORX FLAT HEAD SCREW 8X25
22	4			05VXTCX610N	BLACK SCREW TORX CYLINDRIC HEAD 6X10 STAINLESS STEEL
23	4			05FLYRAIL6.5	BLACK RAIL 6.5
24	4			05FLYRAIL9	BLACK RAIL 9
25	36			05VXTCFC616N	BLACK TORX CYLINDRIC SCREW 6X16
26	2			05KELP90-2A	ALPHA REAR STEEL PLATE
27	2			05CACH90-1A	ALPHA REAR PLATE STEEL 90°
28	2			05KELP101-2A	ALPHA M REAR STEEL PLATE
29	2			05CACH101-1A	ALPHA REAR PLATE STEEL 101°
30	1		05AL.M3-CFA	05AL.M3-CFA	M3/M8 COMPLETE GRILL
31	1			05MFALPHAPM	BLACK FOAM BULPREN M3/B1
32	4.4			05JNEOP5X10	NEOPREN GASKET 5X10
33	1		05AL.M4-CFFPC	05AL.M4-CFFPC	COMPLETE PASSIVE FILTER FOR ALPHA M3/M8
34	1			05AL.M4-CFFPA	COMPLETE CONNECTION PLATE WITH ARTWORK FOR M3/M8
35	2			05CNXNL8MDV	SPEAKON 8 MDV
36	1			05CNXNL4MDV	SPEAKON 4 MDV
37	10			05VRI3.216N	BLACK ALUMINIUM RIVET
38	1			05AL.M4-CFFPB	PASSIVE FILTER FOR M3/M8
39	1			05FCNP6	CAPACITOR 6 µF MKP 400V 5%
40	1			05FS38H0.85	COIL 0.85 Mh

41	1			05PLSW75RXE	POLYSWITCH RXE 75
42	1			05CNX721-106/037	FEMALE CONNECTOR 721-106/037
43	1			05CNX721-166/001	MALE CONNECTOR 721-166/001
44	12			05VRAF4	GRAF NUT 4mm
45	1			05CNX0804	OWNER PLATE
46	12			05VXCHB416N	BLACK SCREW TORX BUTTON HEAD 4X16 STAINLESS STEEL
47	2		05NM10R-8	05NM10R-8	COMPLETE MID DRIVER UNTIL M3 S/N: 3389 M8 S/N: 1541
48	2			05NM10R/K	RECONE KIT FOR NM10R-8
47	2		05HPM10-8	05HPM10-8	COMPLETE MID DRIVER SINCE M3 S/N: 3390 M8 S/N: 1542
48	2			05HPM10R/K	RECONE KIT FOR HPM10-8
49	2			05MSAF6532	ACOUSTIC FOAM FOR MID DRIVER ALPHA M
50	1		05NH91B-8	05NH91B-8	ALPHA M HF DRIVER
51	1			05NH91R/K	DIAPHRAGM FOR ALPHA M
52	1			05PROFILM3	REAR CAP FOR HF DRIVER ALPHA M
53	1			05MPPIHM	FOAM GASKET